



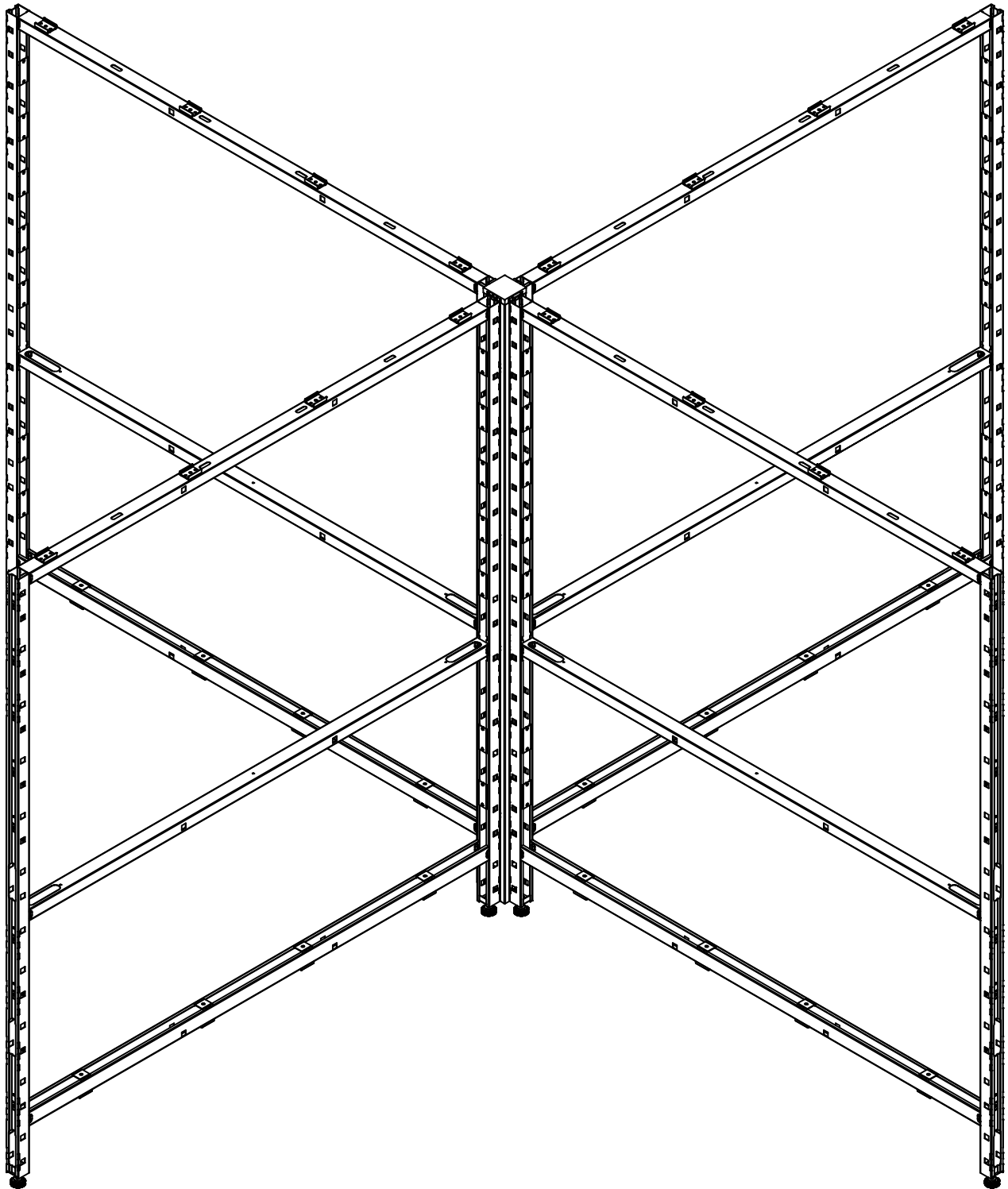
Sr. No.	2016-01	ASSEMBLY/DISASSEMBLY INSTRUCTION	
Issue Date	15.09.16	Description : INDEX – AVAIL 66	
Rev. Date	29.11.23		
Rev. No.	1		


INDEX - AVAIL 66 INSTALLATION INSTRUCTION :-

SR.NO.	TOPIC NO.	DESCRIPTION	REV.
2016-01	2016-01.01	A66 (4-WAY) X TYPE FRAME CONFIGURATION	0
2016-01	2016-01.02	A66 (3-WAY) T TYPE FRAME CONFIGURATION	0
2016-01	2016-01.03	A66 (2-WAY) L TYPE FRAME CONFIGURATION	0
2016-01	2016-01.04	A66 (2-WAY) INLINE FRAME CONFIGURATION USING POST COVER	0
2016-01	2016-01.05	A66 FRAME TO FRAME JOINING INLINE CONFIGURATION	0
2016-01	2016-01.06	A66 (3-WAY) Y TYPE 120DEG FRAME CONFIGURATION	0
2016-01	2016-01.07	A66 VERTICAL TRIM ASSEMBLY	0
2016-01	2016-01.08	A66 TILE ASSEMBLY (ST/LAM/GLASS/ACCESORY TILE)	0
2016-01	2016-01.09	A66 GAP FILLER (SINGLE SIDE/DOUBLE SIDE)	0
2016-01	2016-01.10	A66 FOOTED PANEL ASSEMBLY	0
2016-01	2016-01.11	A66+A30 (4-WAY) X TYPE FRAME CONFIGURATION	0
2016-01	2016-01.12	A66+A30+A66 (3-WAY) T TYPE FRAME CONFIGURATION	0
2016-01	2016-01.13	A30+A66+A30 (3-WAY) T TYPE FRAME CONFIGURATION	0
2016-01	2016-01.14	A66+A30 (2-WAY) L TYPE - LH FRAME CONFIGURATION	0
2016-01	2016-01.15	A66+A30 (2-WAY) L TYPE - RH FRAME CONFIGURATION	0
2016-01	2016-01.16	A66 FRAME CANTILEVER BKT AT TABLE JOIN	0
2016-01	2016-01.17	A66 FRAME CANTILEVER BKT AT TABLE END	0
2016-01	2016-01.18	A66 GABLE END ASSEMBLY (LH/RH)	0
2016-01	2016-01.19	A66 INTERMIDIATE GABLE END ASSEMBLY	0

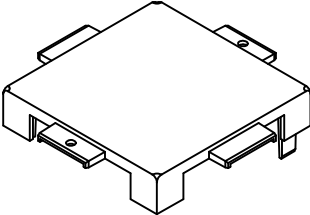
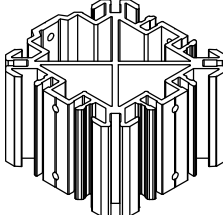
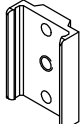


Sr. No.	2016-01	ASSEMBLY/DISASSEMBLY INSTRUCTION	
Issue Date	15.09.16	Description : A66 (4-WAY) X TYPE FRAME CONFIGURATION	
Rev. Date	29.11.23		
Rev. No.	1		

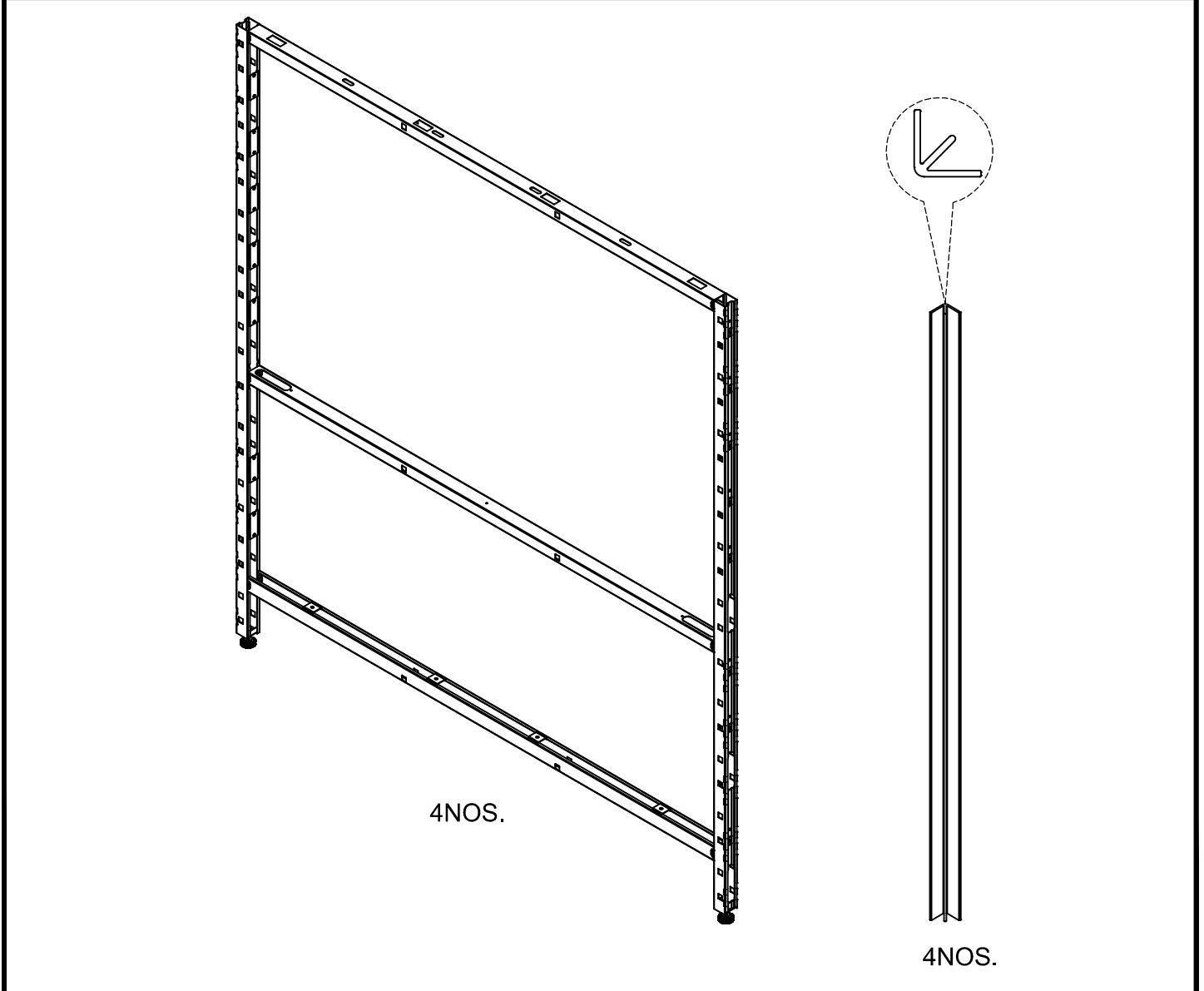
2016-01.01: - A66 (4-WAY) X TYPE FRAME CONFIGURATION: -




Sr. No.	2016-01	ASSEMBLY/DISASSEMBLY INSTRUCTION	
Issue Date	15.09.16	Description : A66 (4-WAY) X TYPE FRAME CONFIGURATION	
Rev. Date	29.11.23		
Rev. No.	1		

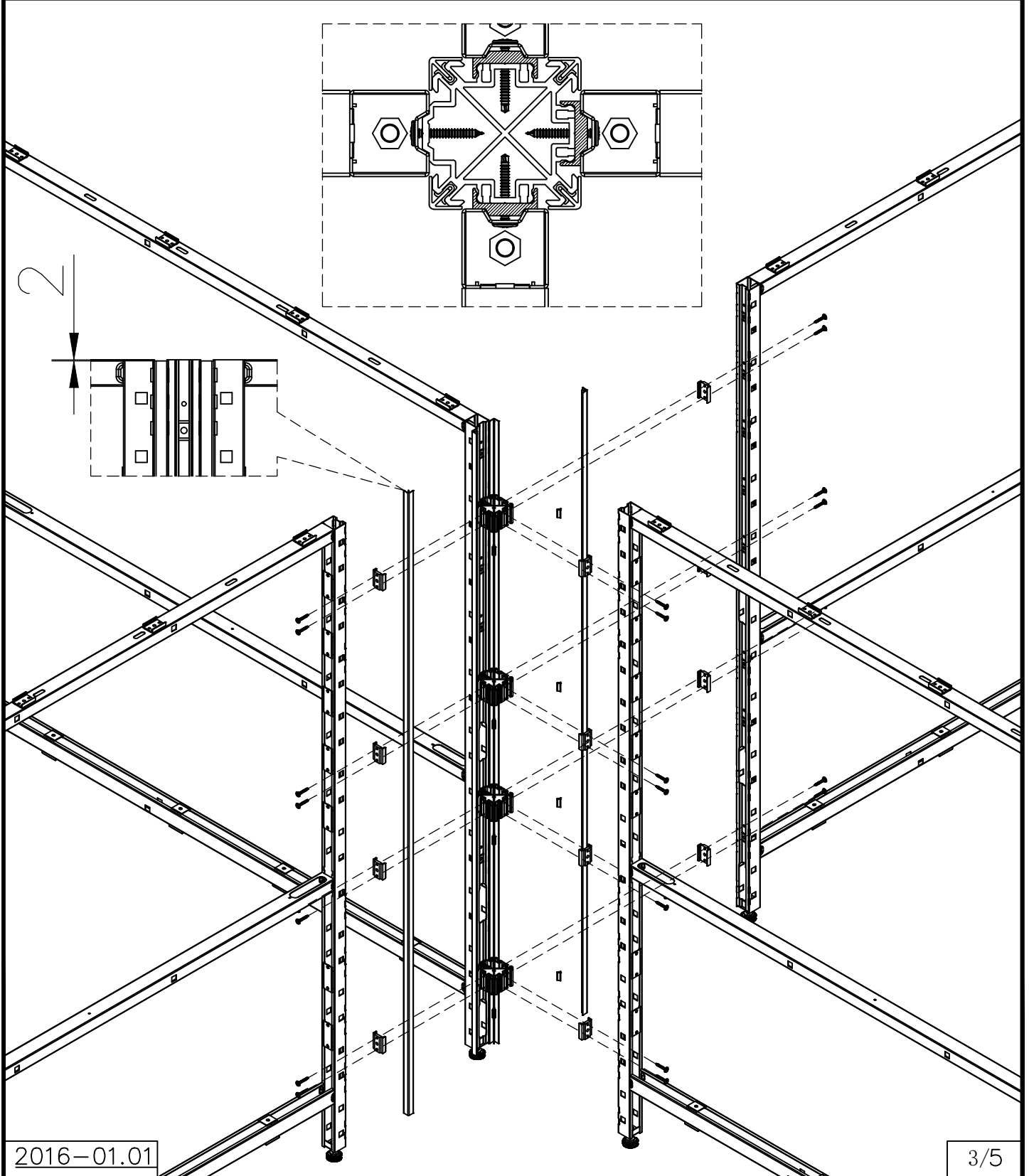
2016-01.01: - A66 (4-WAY) X TYPE FRAME CONFIGURATION: -


1NO.	3NOS.	9NOS.	12NOS.	24NOS.
				
A66 - CONNECTOR CAP	A66 - X TYP (4 WAY) CONNECTOR	A66 - MOULDED CLIP FOR TOP CAP	A66 - U GASKET 20MM	PHILIP SELF DRILLING PAN HEAD 3.9X25



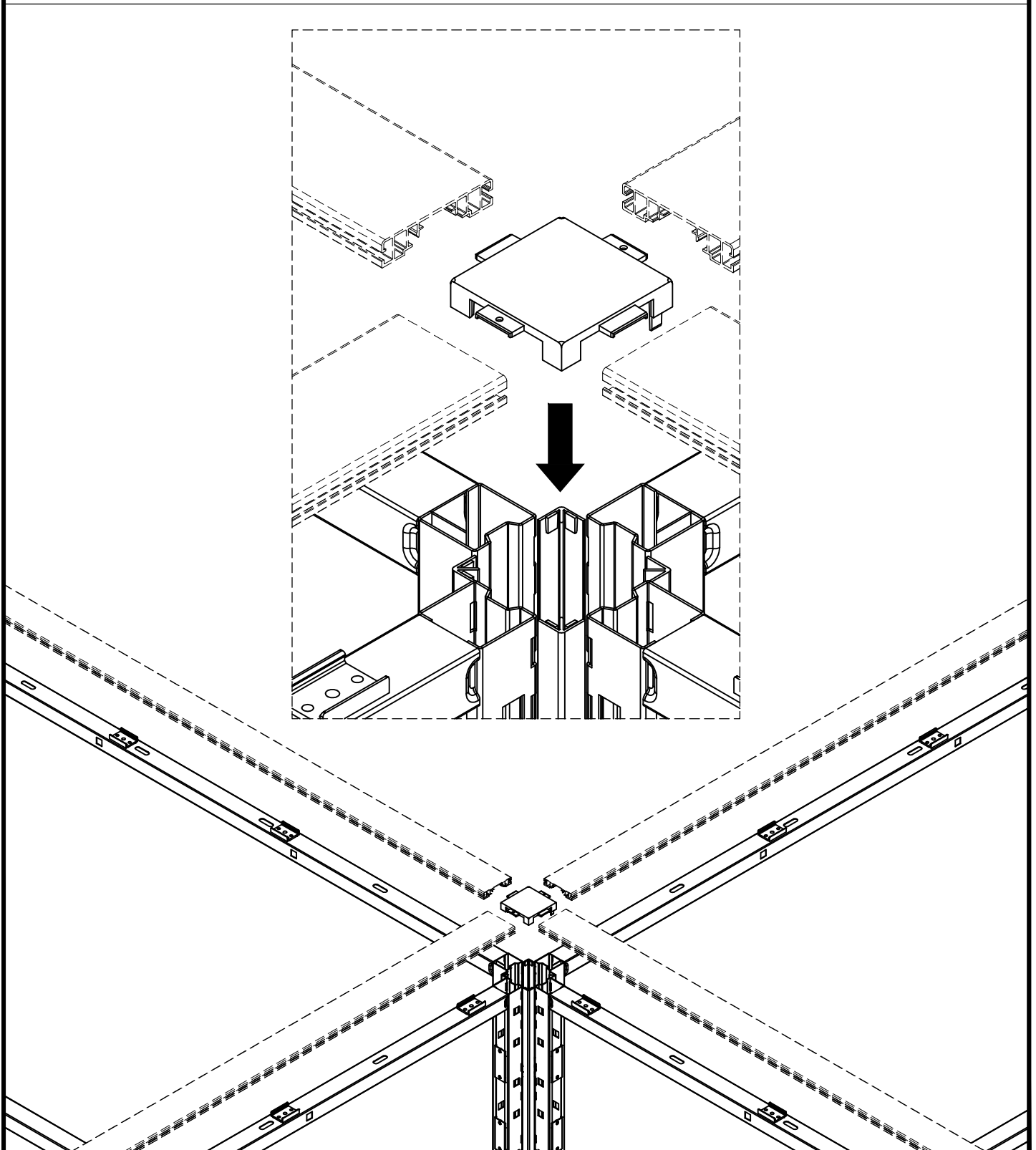
Sr. No.	2016-01	ASSEMBLY/DISASSEMBLY INSTRUCTION	
Issue Date	15.09.16	Description : A66 (4-WAY) X TYPE FRAME CONFIGURATION	
Rev. Date	29.11.23		
Rev. No.	1		


2016-01.01: - A66 (4-WAY) X TYPE FRAME CONFIGURATION: -



Sr. No.	2016-01	ASSEMBLY/DISASSEMBLY INSTRUCTION	
Issue Date	15.09.16	Description : A66 (4-WAY) X TYPE FRAME CONFIGURATION	
Rev. Date	29.11.23		
Rev. No.	1		

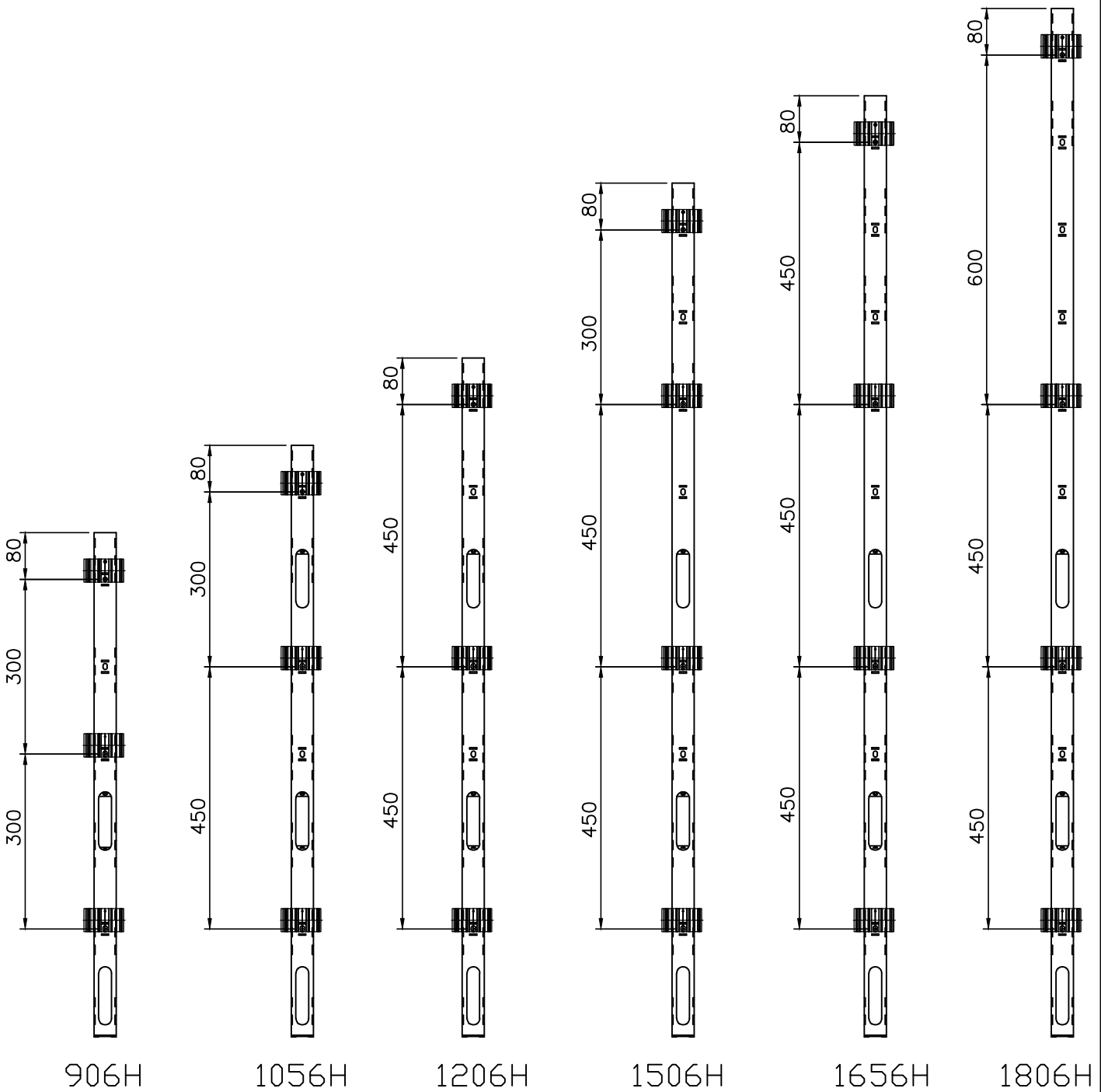
2016-01.01: - A66 (4-WAY) X TYPE FRAME CONFIGURATION: -




Sr. No.	2016-01	ASSEMBLY/DISASSEMBLY INSTRUCTION	
Issue Date	15.09.16	Description : A66 (4-WAY) X TYPE FRAME CONFIGURATION	
Rev. Date	29.11.23		
Rev. No.	1		

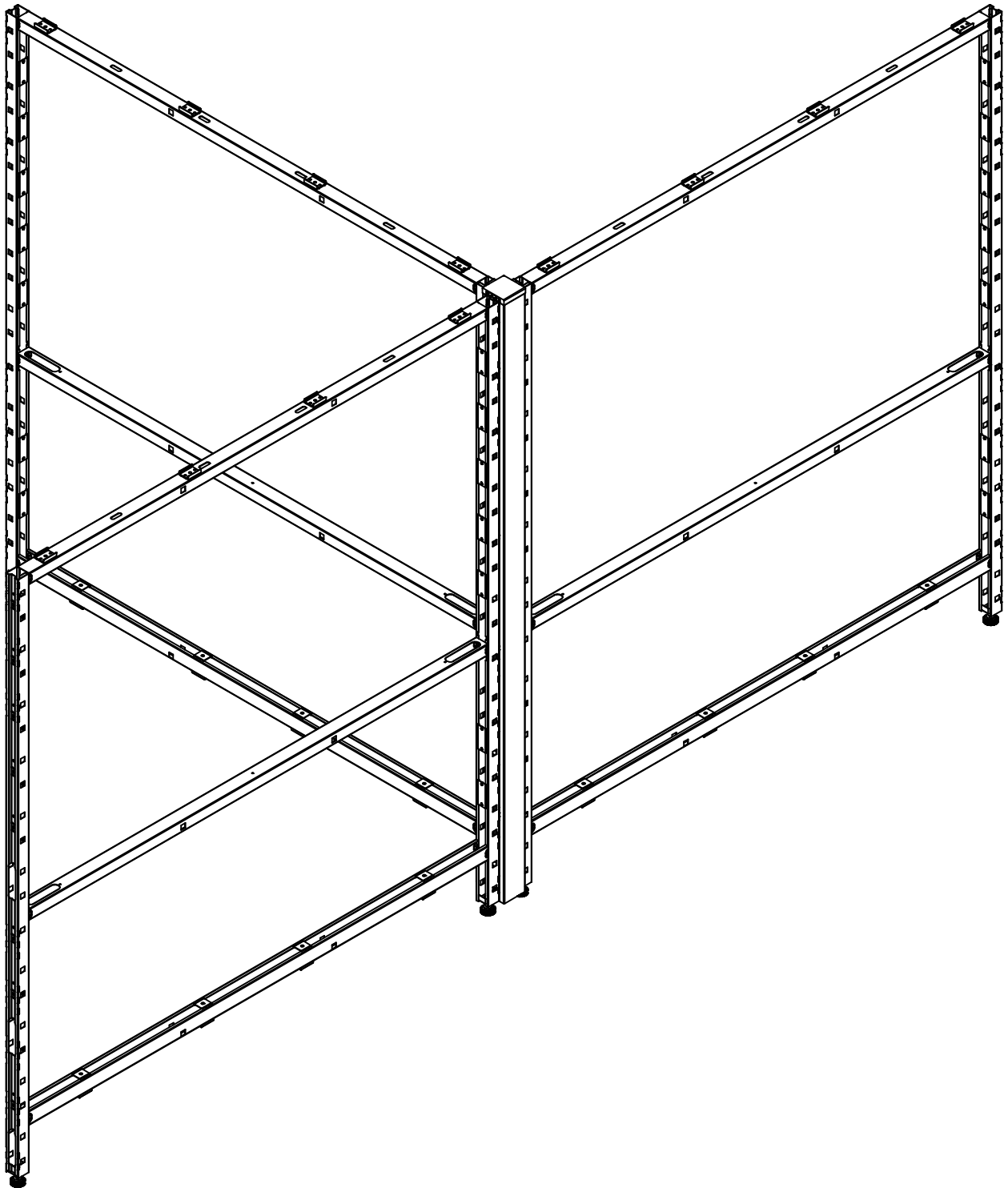
2016-01.01: - A66 (4-WAY) X TYPE FRAME CONFIGURATION: -


CONNECTOR FIXING POSITIONS: -



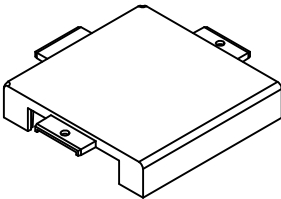
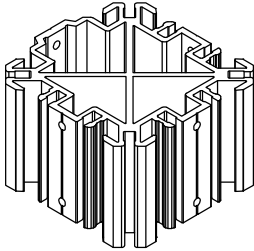
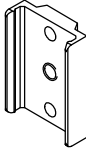
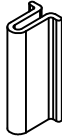

Sr. No.	2016-01	ASSEMBLY/DISASSEMBLY INSTRUCTION	
Issue Date	15.09.16	Description : A66 (3-WAY) T TYPE FRAME CONFIGURATION	
Rev. Date	29.11.23		
Rev. No.	1		

2016-01.02:- A66 (3-WAY) T TYPE FRAME CONFIGURATION :-

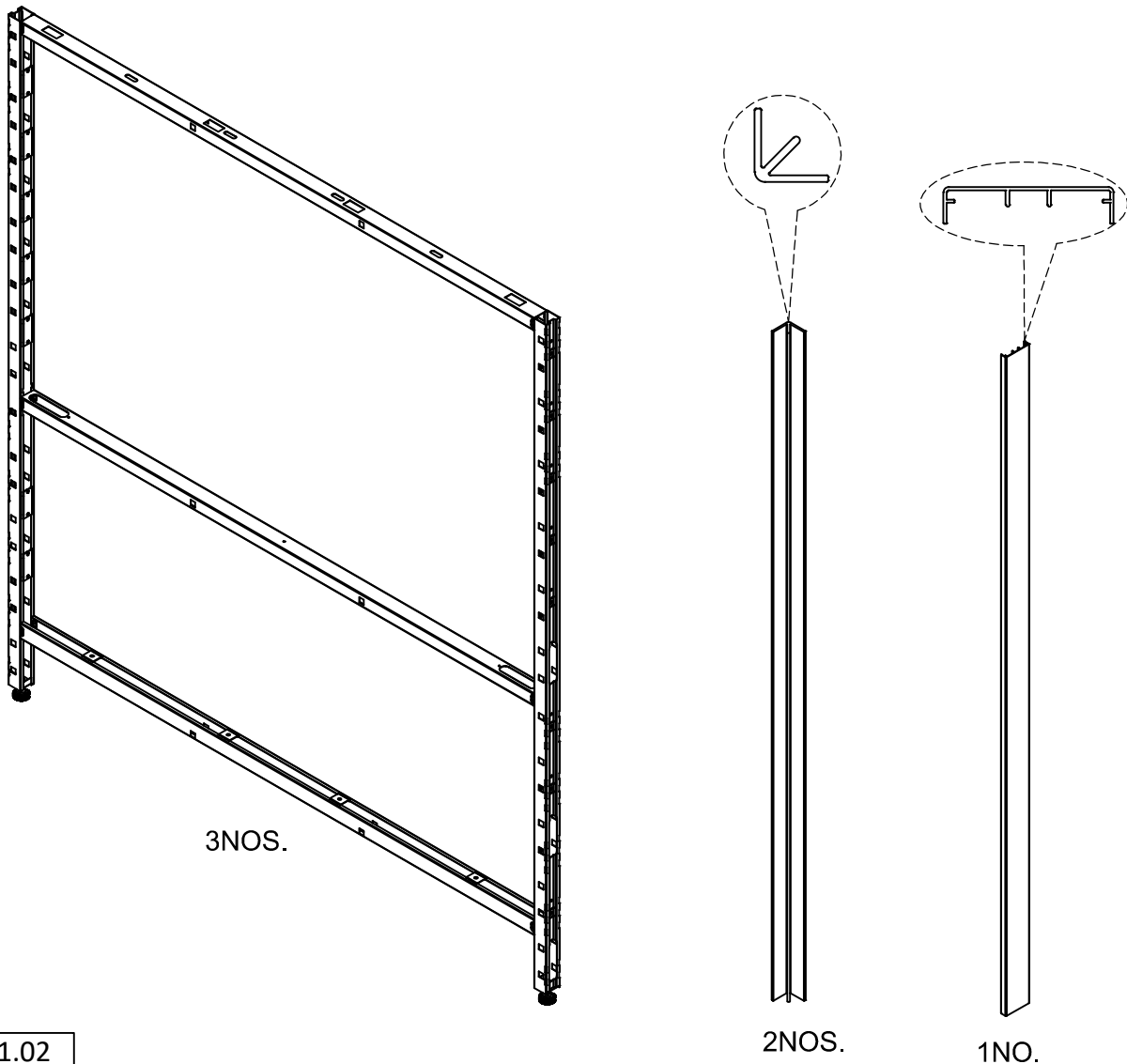


Sr. No.	2016-01	ASSEMBLY/DISASSEMBLY INSTRUCTION	
Issue Date	15.09.16	Description : A66 (3-WAY) T TYPE FRAME CONFIGURATION	
Rev. Date	29.11.23		
Rev. No.	1		

Part list –

1NO.	3NOS.	6NOS.	12NOS.	18NOS.
				
A66 – CONNECTOR CAP T TYP (3 WAY)	A66 – T TYP (3 WAY) CONNECTOR BKT 40MM	A66 – MOULDED CLIP FOR TOP CAP	A66 – U GASKET 20MM	PHILIP SELF DRILLING PAN HEAD 3.9X25

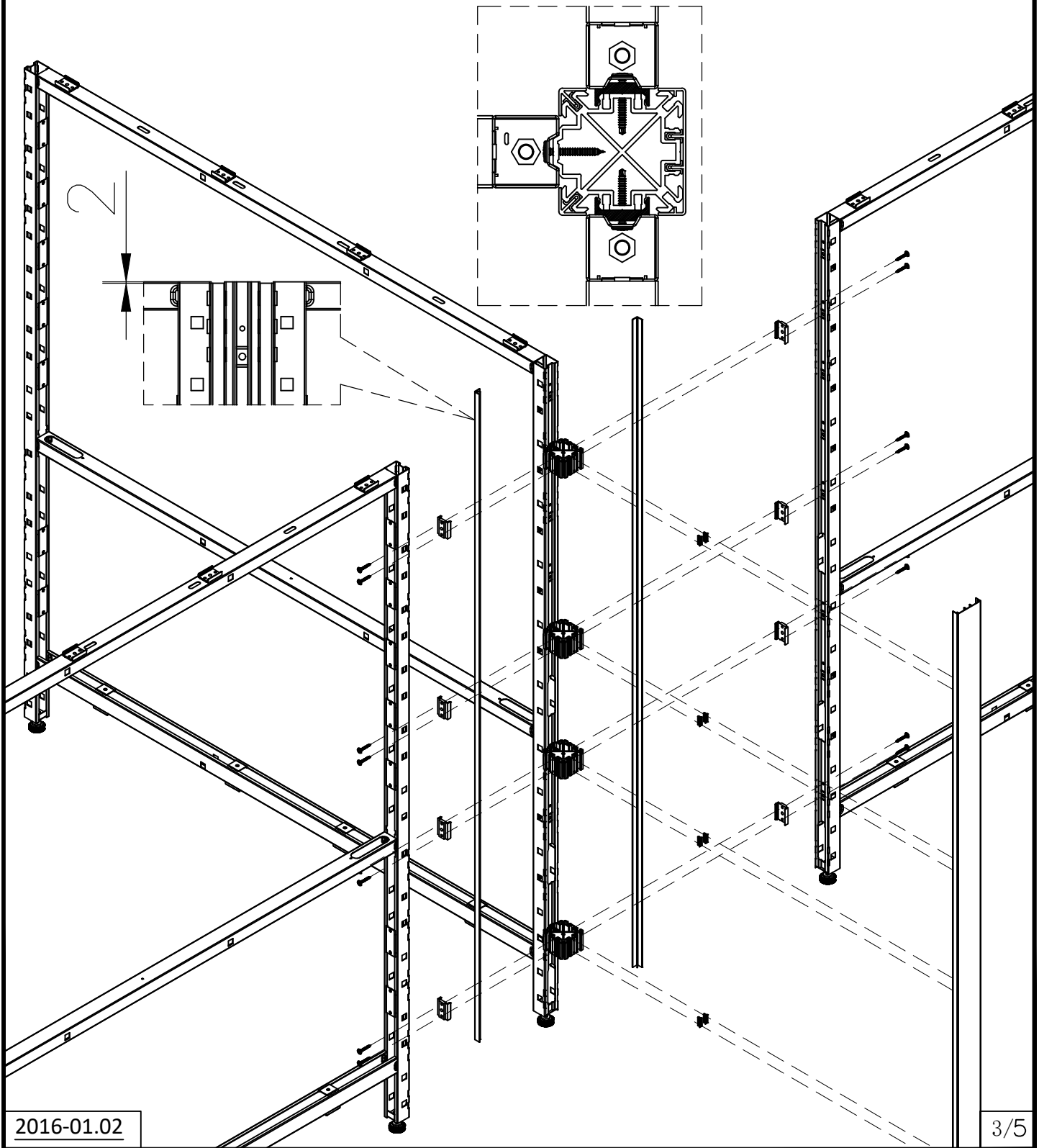
Component –



Sr. No.	2016-01	ASSEMBLY/DISASSEMBLY INSTRUCTION
Issue Date	15.09.16	Description : A66 (3-WAY) T TYPE FRAME CONFIGURATION
Rev. Date	29.11.23	
Rev. No.	1	



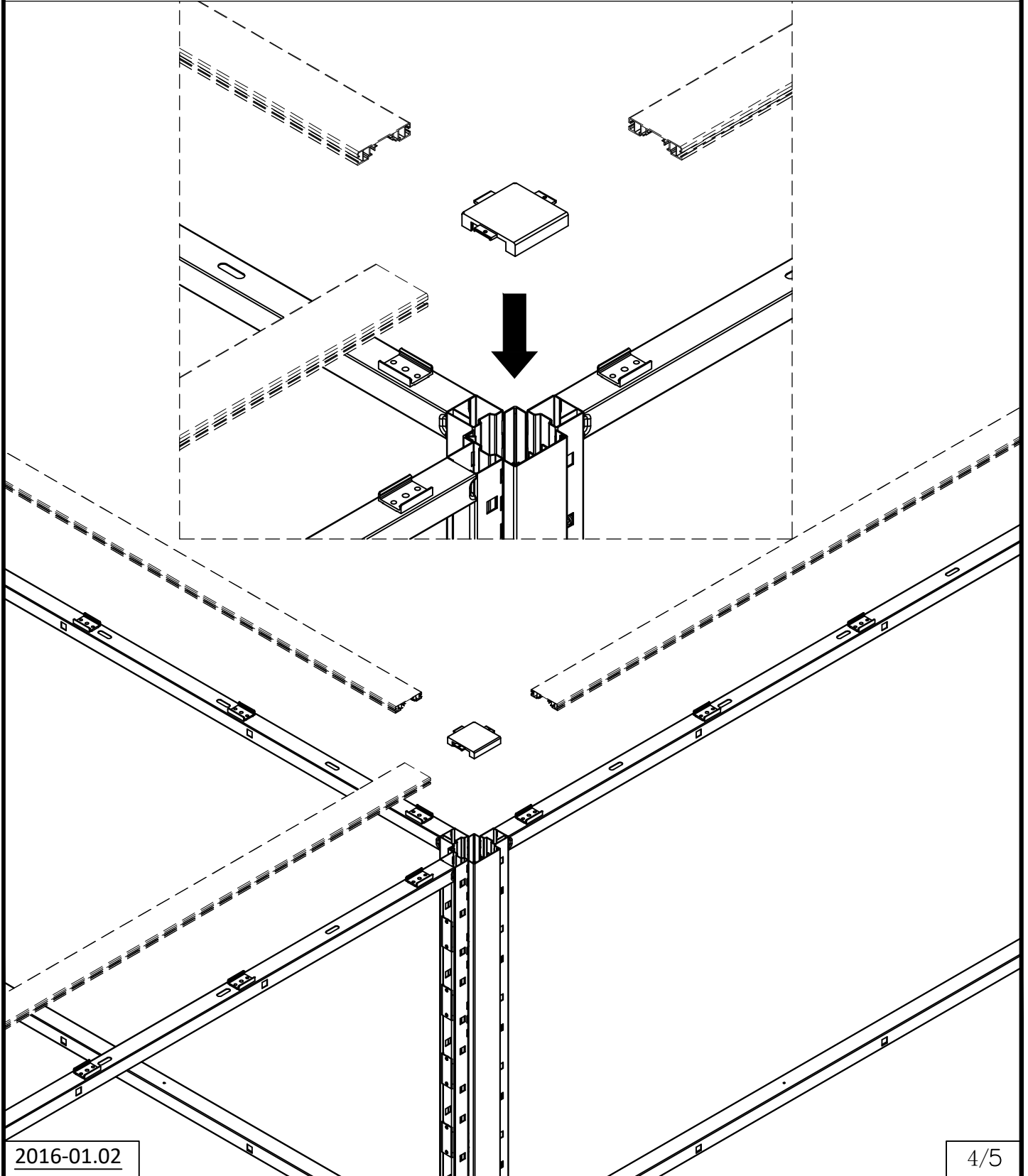
2016-01.02:- A66 (3-WAY) T TYPE FRAME CONFIGURATION :-



Sr. No.	2016-01	ASSEMBLY/DISASSEMBLY INSTRUCTION
Issue Date	15.09.16	Description : A66 (3-WAY) T TYPE FRAME CONFIGURATION
Rev. Date	29.11.23	
Rev. No.	1	



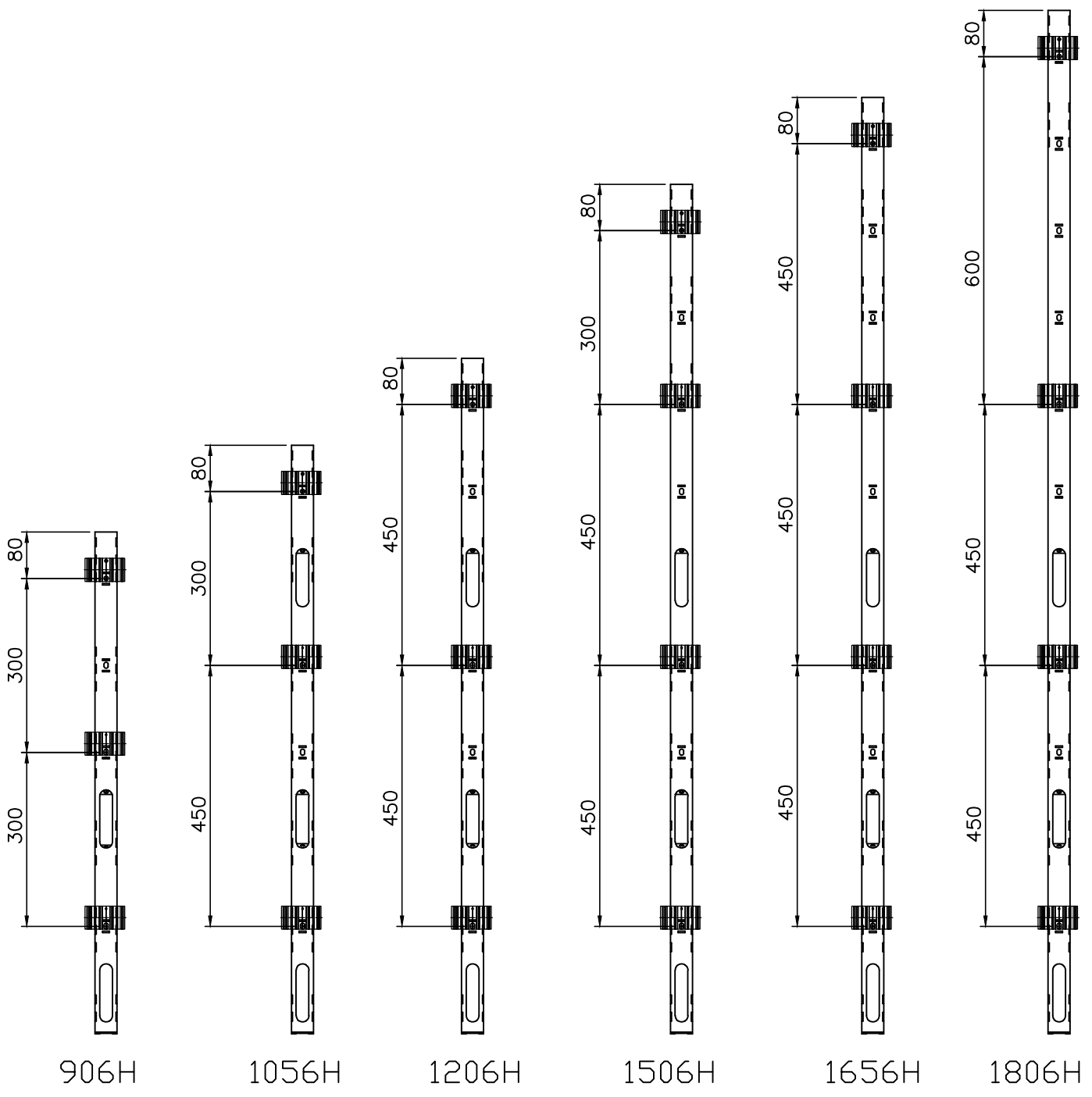
2016-01.02:- A66 (3-WAY) T TYPE FRAME CONFIGURATION :-



Sr. No.	2016-01	ASSEMBLY/DISASSEMBLY INSTRUCTION
Issue Date	15.09.16	Description : A66 (3-WAY) T TYPE FRAME CONFIGURATION
Rev. Date	29.11.23	
Rev. No.	1	



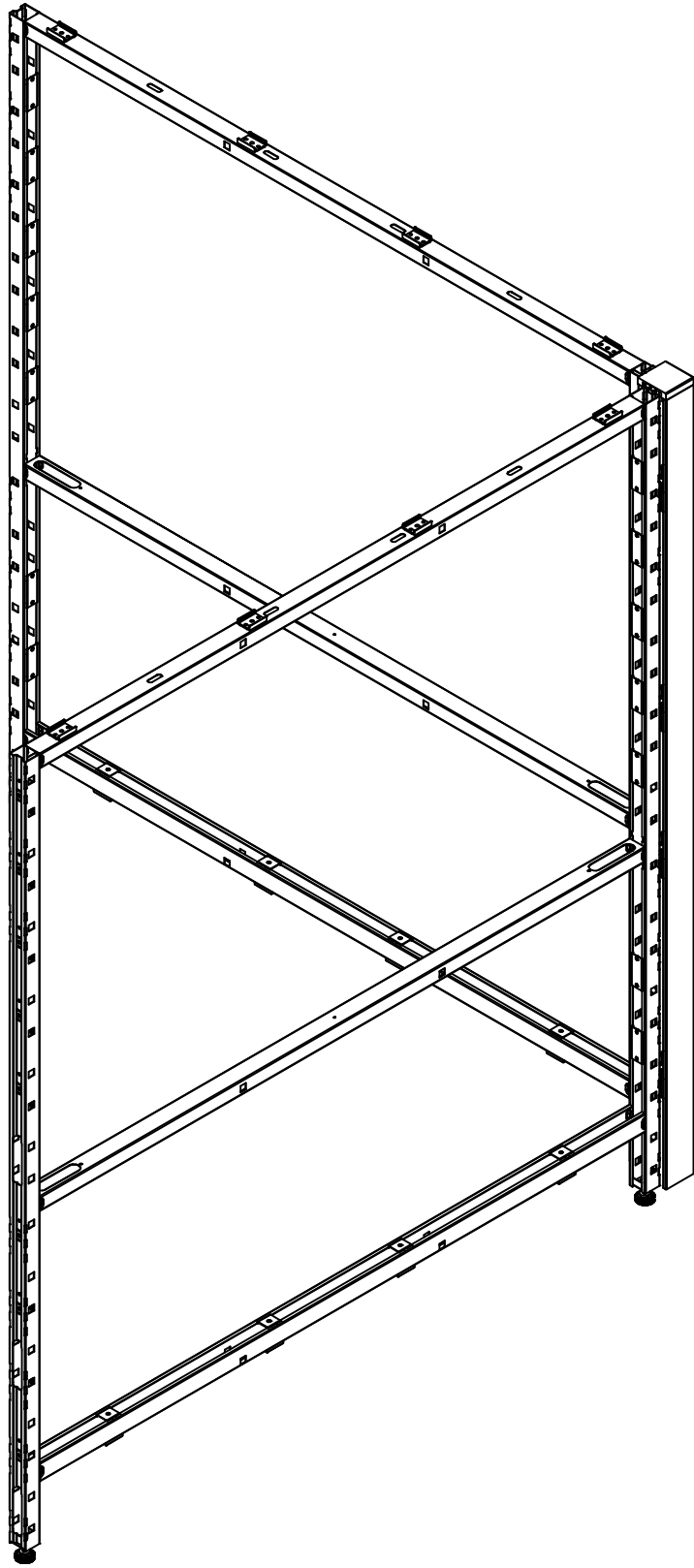
2016-01.02:- A66 (3-WAY) T TYPE FRAME CONFIGURATION :-




Sr. No.	2016-01	ASSEMBLY/DISASSEMBLY INSTRUCTION
Issue Date	15.09.16	Description : A66 (2-WAY) L TYPE FRAME CONFIGURATION
Rev. Date	29.11.23	
Rev. No.	1	

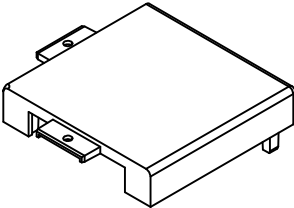
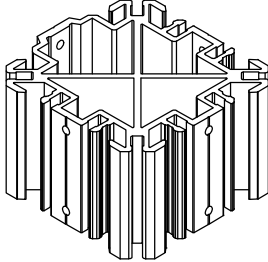
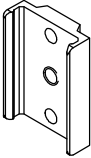
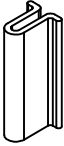



2016-01.03:- A66 (2-WAY) L TYPE FRAME CONFIGURATION :-

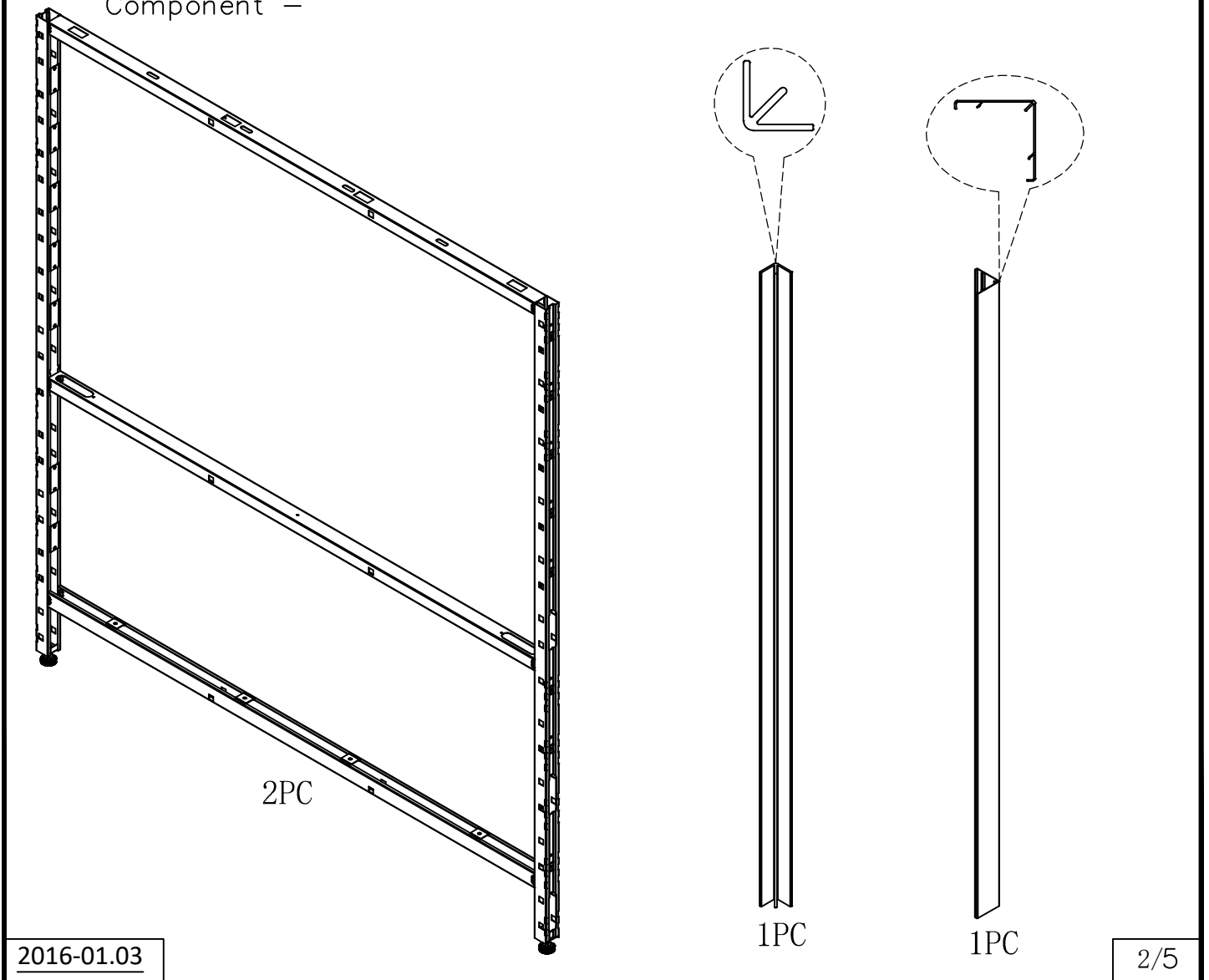


Sr. No.	2016-01	ASSEMBLY/DISASSEMBLY INSTRUCTION	
Issue Date	15.09.16	Description : A66 (2-WAY) L TYPE FRAME CONFIGURATION	
Rev. Date	29.11.23		
Rev. No.	1		

Part list -

1NO.	3NOS.	3NOS.	06NOS.	12NOS.
				
A66 - CONNECTOR CAP L TYP (2 WAY)	A66 - L TYP (2 WAY) CONNECTOR PKT 40MM	A66 - MOULDED CLIP FOR TOP CAP	A66 - U GASKET 20MM	PHILIP SELF DRILLING PAN HEAD 3.9X25

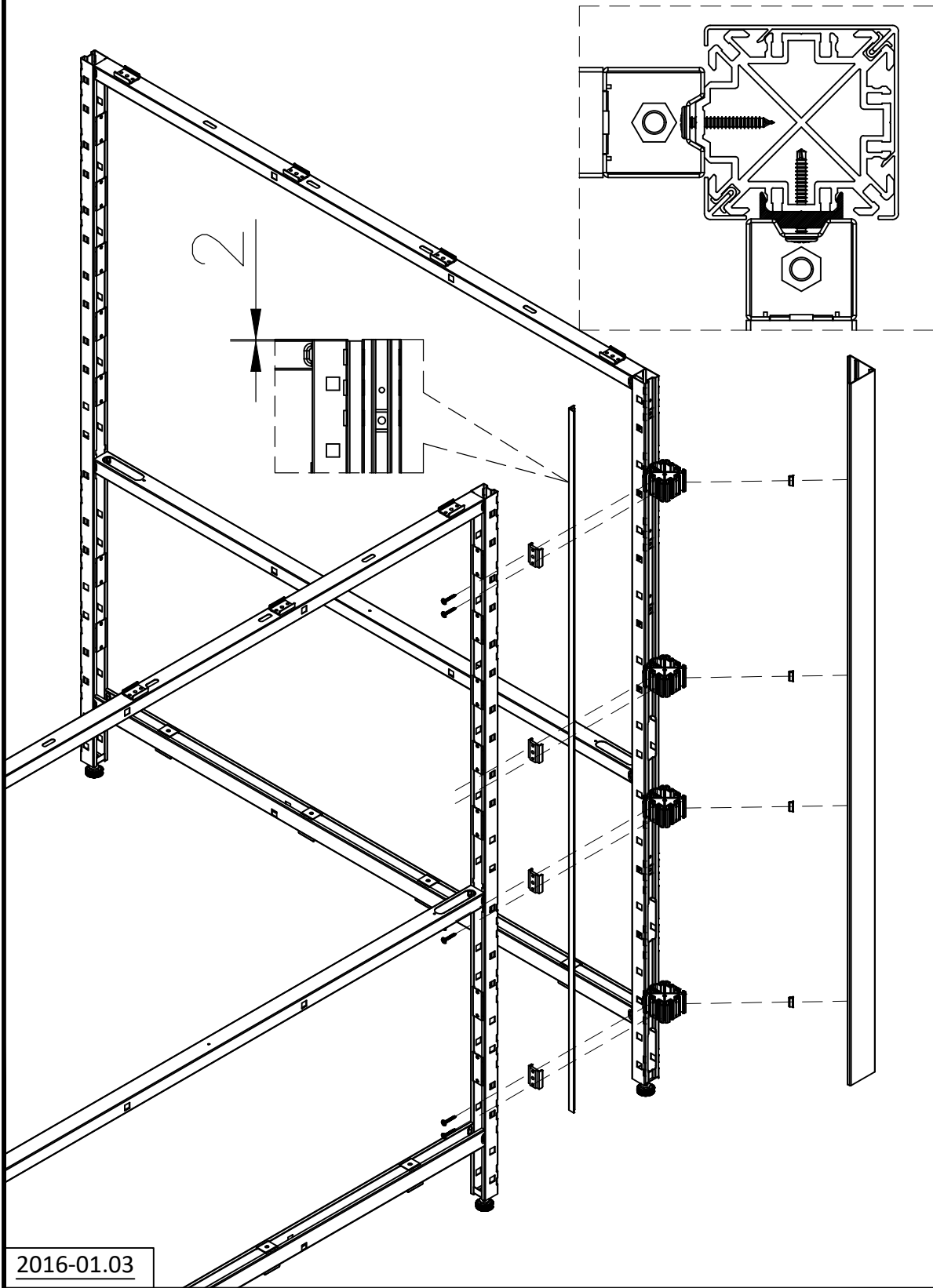
Component -




Sr. No.	2016-01	ASSEMBLY/DISASSEMBLY INSTRUCTION
Issue Date	15.09.16	Description : A66 (2-WAY) L TYPE FRAME CONFIGURATION
Rev. Date	29.11.23	
Rev. No.	1	

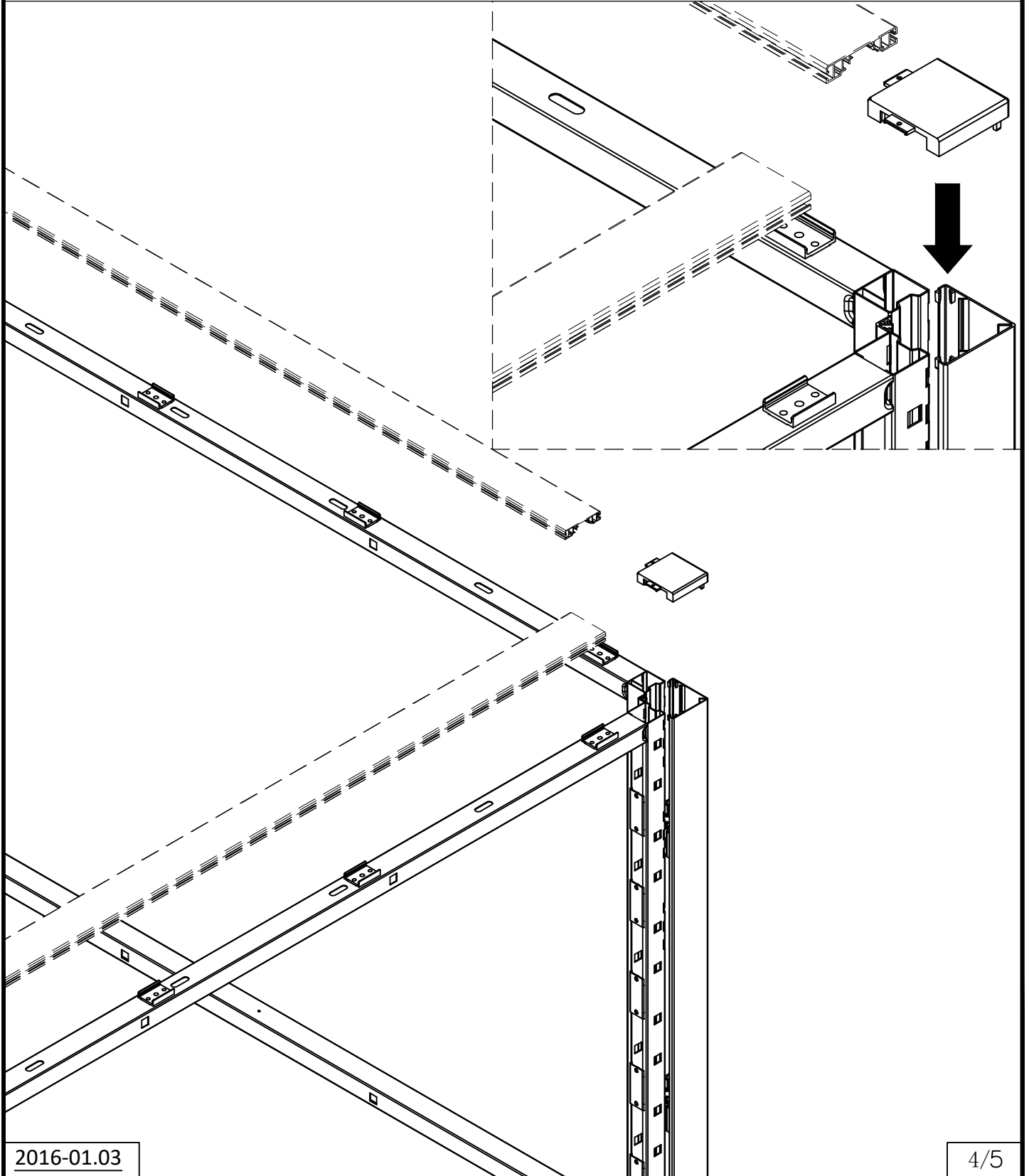


2016-01.03:- A66 (2-WAY) L TYPE FRAME CONFIGURATION :-



Sr. No.	2016-01	ASSEMBLY/DISASSEMBLY INSTRUCTION	
Issue Date	15.09.16	Description : A66 (2-WAY) L TYPE FRAME CONFIGURATION	
Rev. Date	29.11.23		
Rev. No.	1		

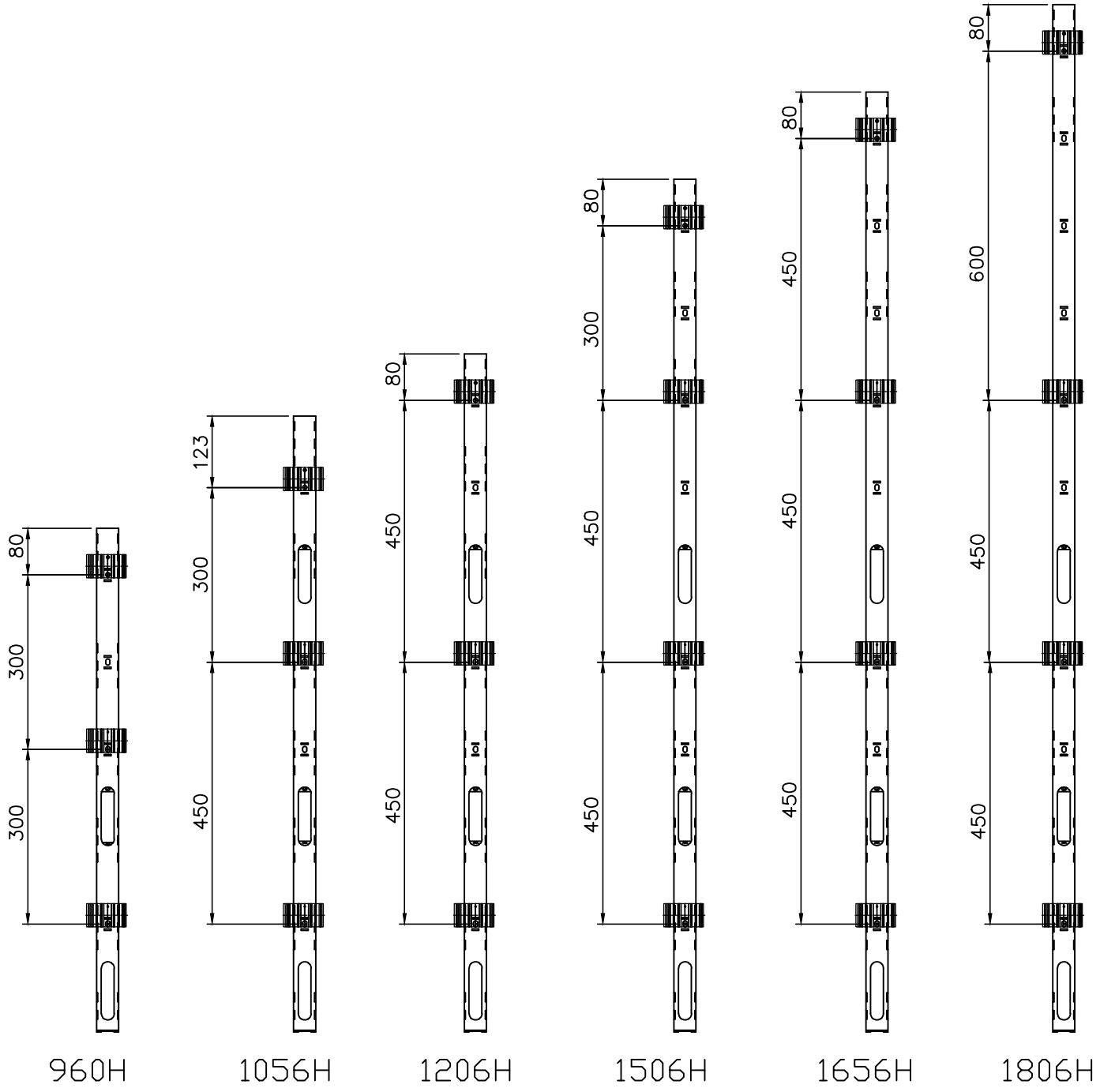
2016-01.03:- A66 (2-WAY) L TYPE FRAME CONFIGURATION :-




Sr. No.	2016-01	ASSEMBLY/DISASSEMBLY INSTRUCTION
Issue Date	15.09.16	Description : A66 (2-WAY) L TYPE FRAME CONFIGURATION
Rev. Date	29.11.23	
Rev. No.	1	

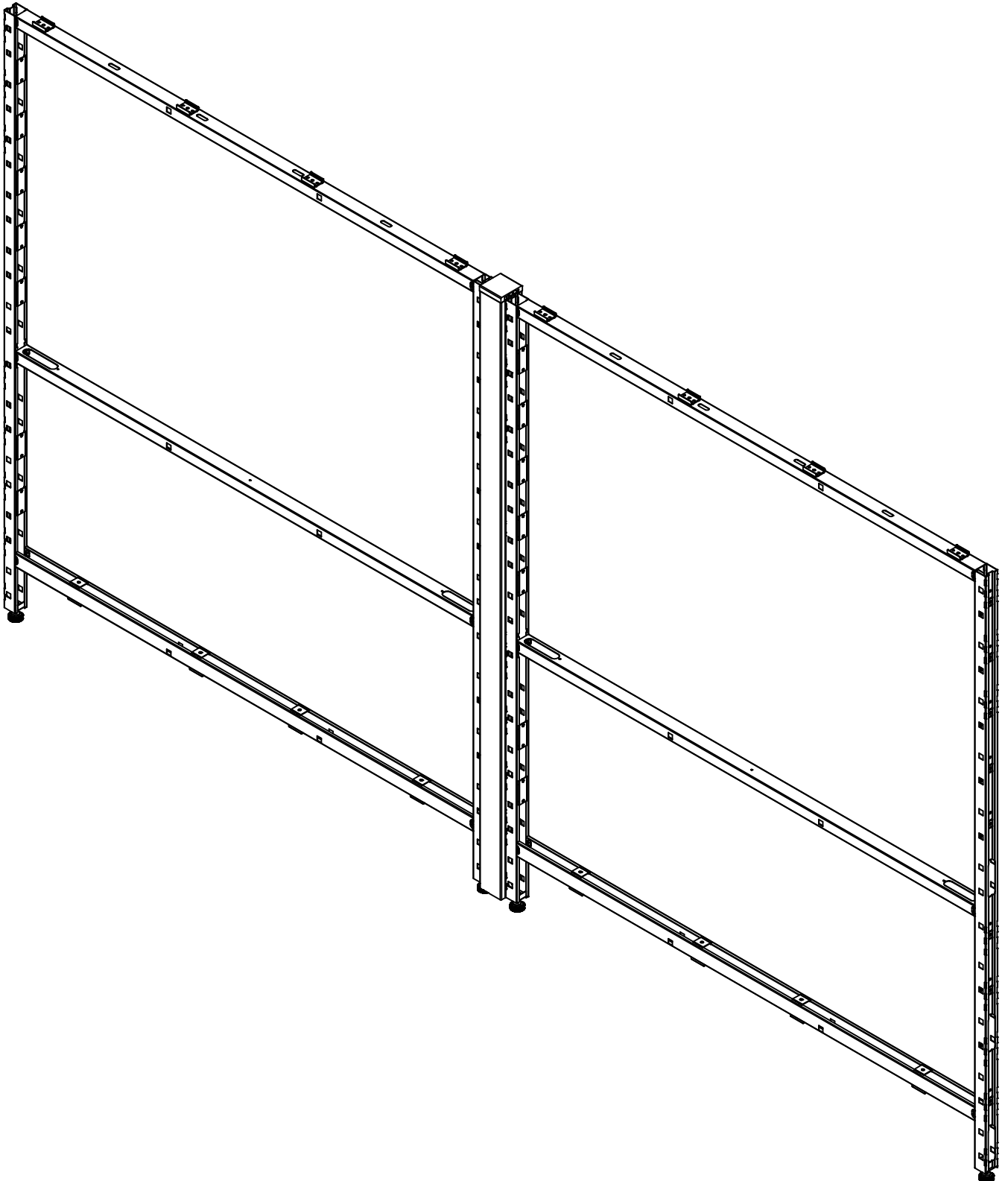



2016-01.03:- A66 (2-WAY) L TYPE FRAME CONFIGURATION :-



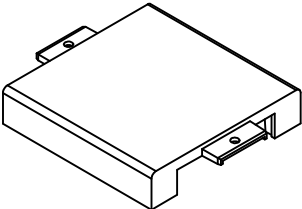
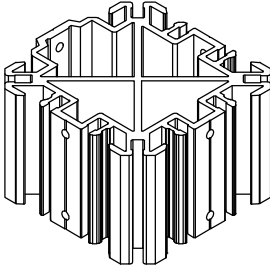
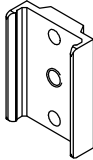


Sr. No.	2016-01	ASSEMBLY/DISASSEMBLY INSTRUCTION	
Issue Date	15.09.16	Description : A66 (2-WAY) INLINE FRAME CONFIGURATION USING POST COVER	
Rev. Date	29.11.23		
Rev. No.	1		

2016-01.04 :- A66 (2-WAY) INLINE FRAME CONFIGURATION USING POST COVER :-

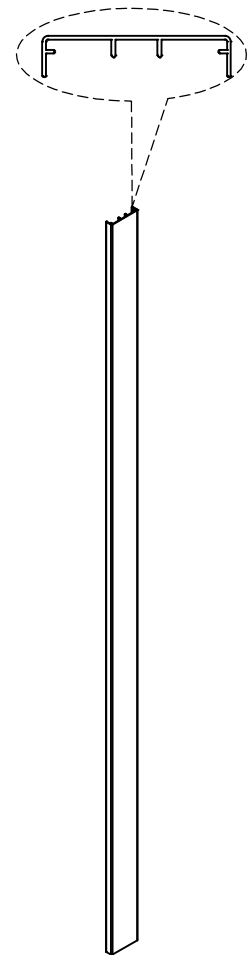
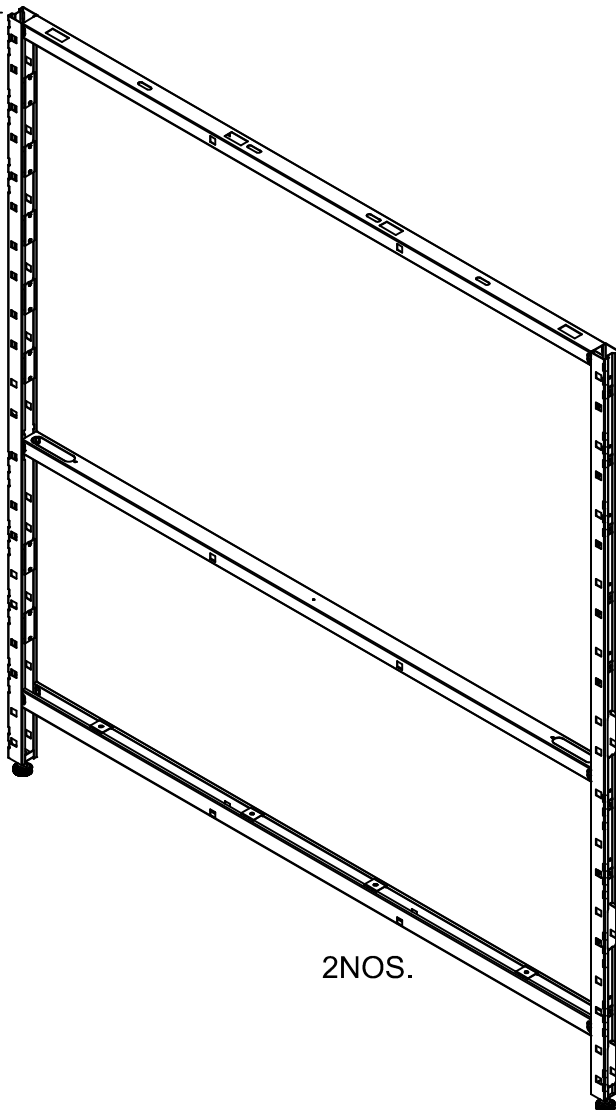


Sr. No.	2016-01	ASSEMBLY/DISASSEMBLY INSTRUCTION	
Issue Date	15.09.16	Description : A66 (2-WAY) INLINE FRAME CONFIGURATION USING POST COVER	
Rev. Date	29.11.23		
Rev. No.	1		

Part list -

1NO.	3NOS.	3NOS.	12NOS.	12NOS.
				
A66 - CONNECTOR CAP X TYP (4 WAY)	A66 - INLINE (2 WAY) CONNECTOR BKT 40MM	A66 - MOULDED CLIP FOR TOP CAP	A66 - U GASKET 20MM	PHILIP SELF DRILLING PAN HD 3.9X25

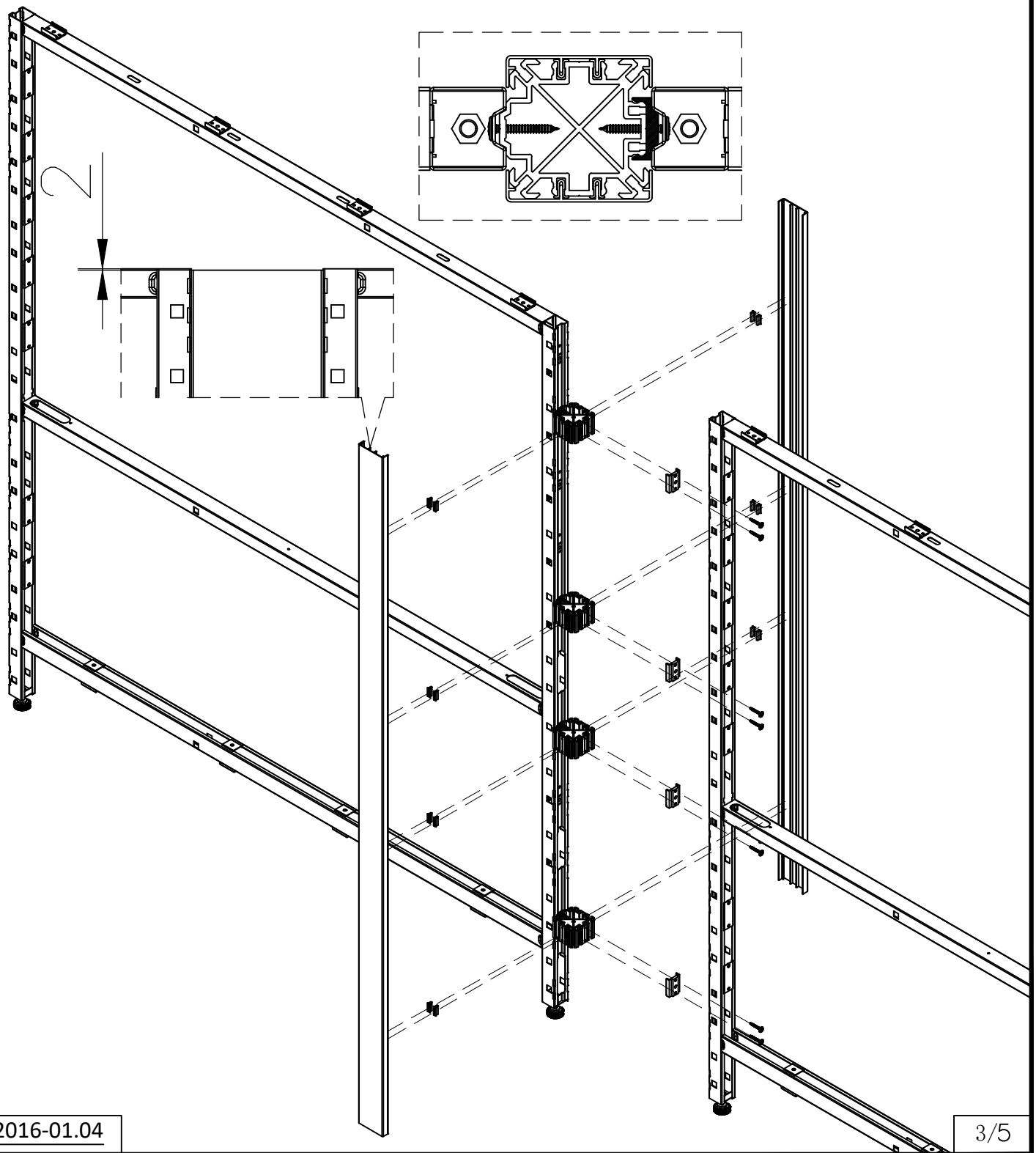
Component -




Sr. No.	2016-01	ASSEMBLY/DISASSEMBLY INSTRUCTION
Issue Date	15.09.16	Description : A66 (2-WAY) INLINE FRAME CONFIGURATION USING POST COVER
Rev. Date	29.11.23	
Rev. No.	1	

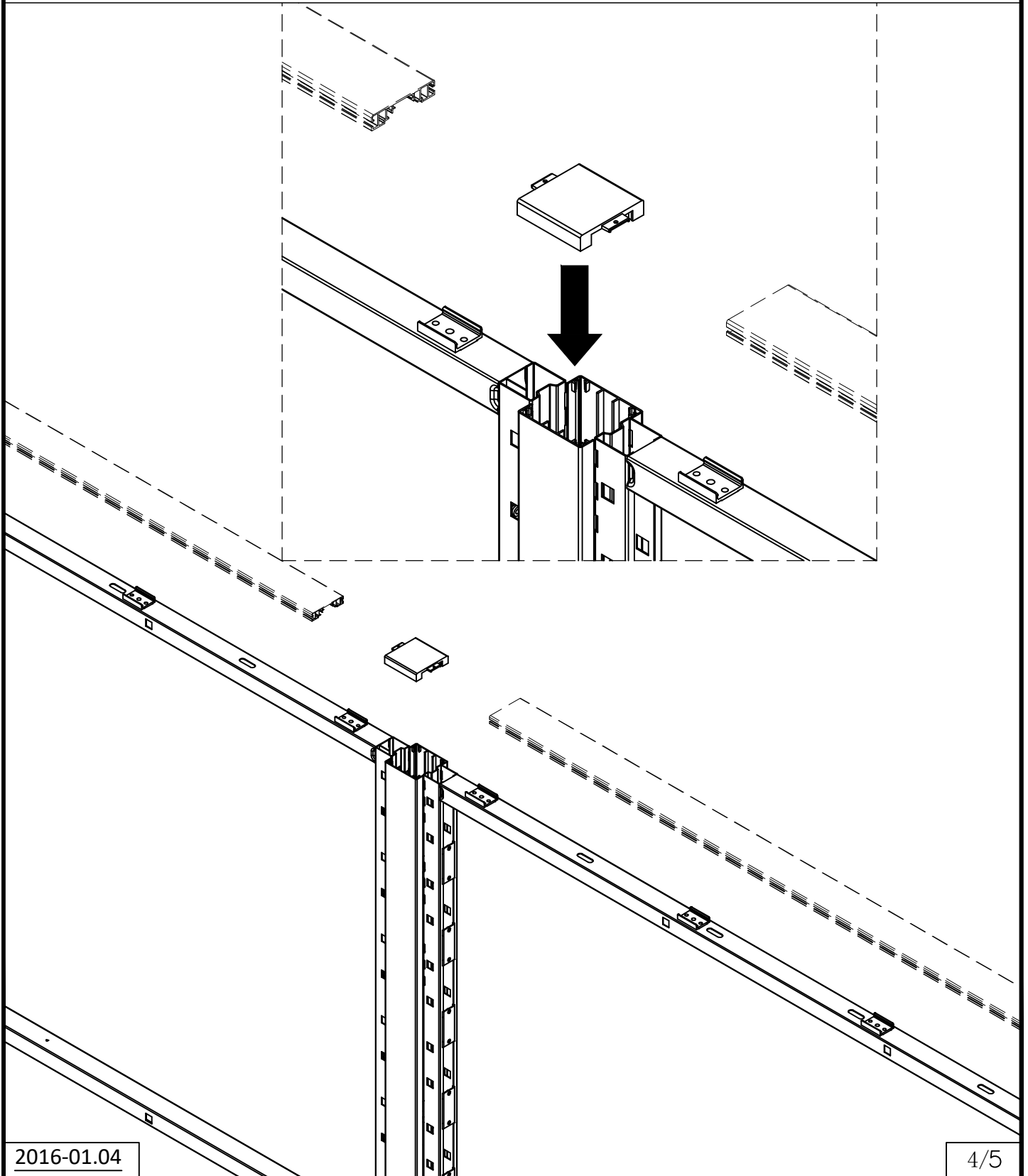


2016-01.04 :- A66 (2-WAY) INLINE FRAME CONFIGURATION USING POST COVER :-



Sr. No.	2016-01	ASSEMBLY/DISASSEMBLY INSTRUCTION	
Issue Date	15.09.16	Description : A66 (2-WAY) INLINE FRAME CONFIGURATION USING POST COVER	
Rev. Date	29.11.23		
Rev. No.	1		

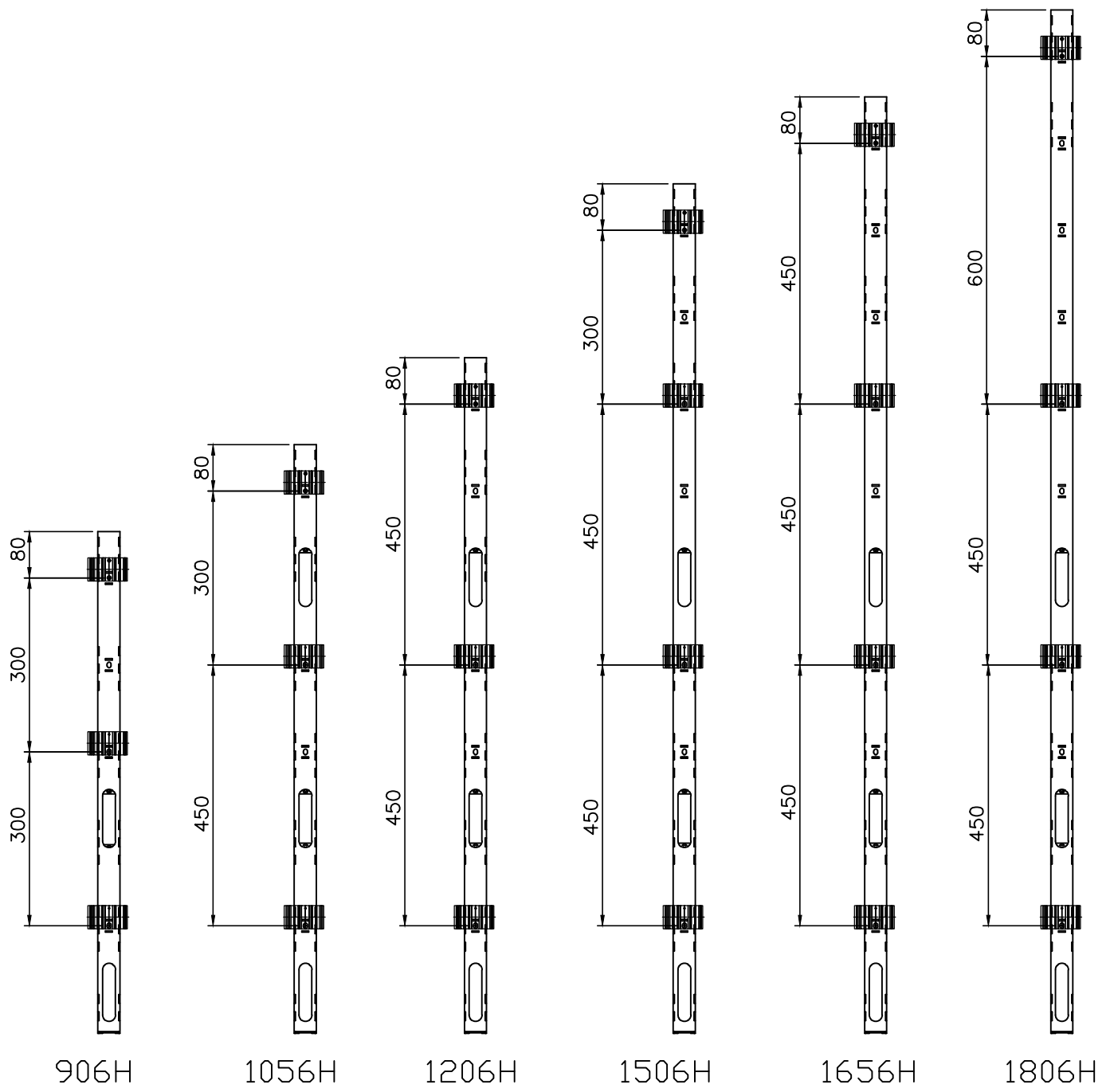
2016-01.04 :- A66 (2-WAY) INLINE FRAME CONFIGURATION USING POST COVER :-




Sr. No.	2016-01	ASSEMBLY/DISASSEMBLY INSTRUCTION
Issue Date	15.09.16	Description : A66 (2-WAY) INLINE FRAME CONFIGURATION USING POST COVER
Rev. Date	29.11.23	
Rev. No.	1	

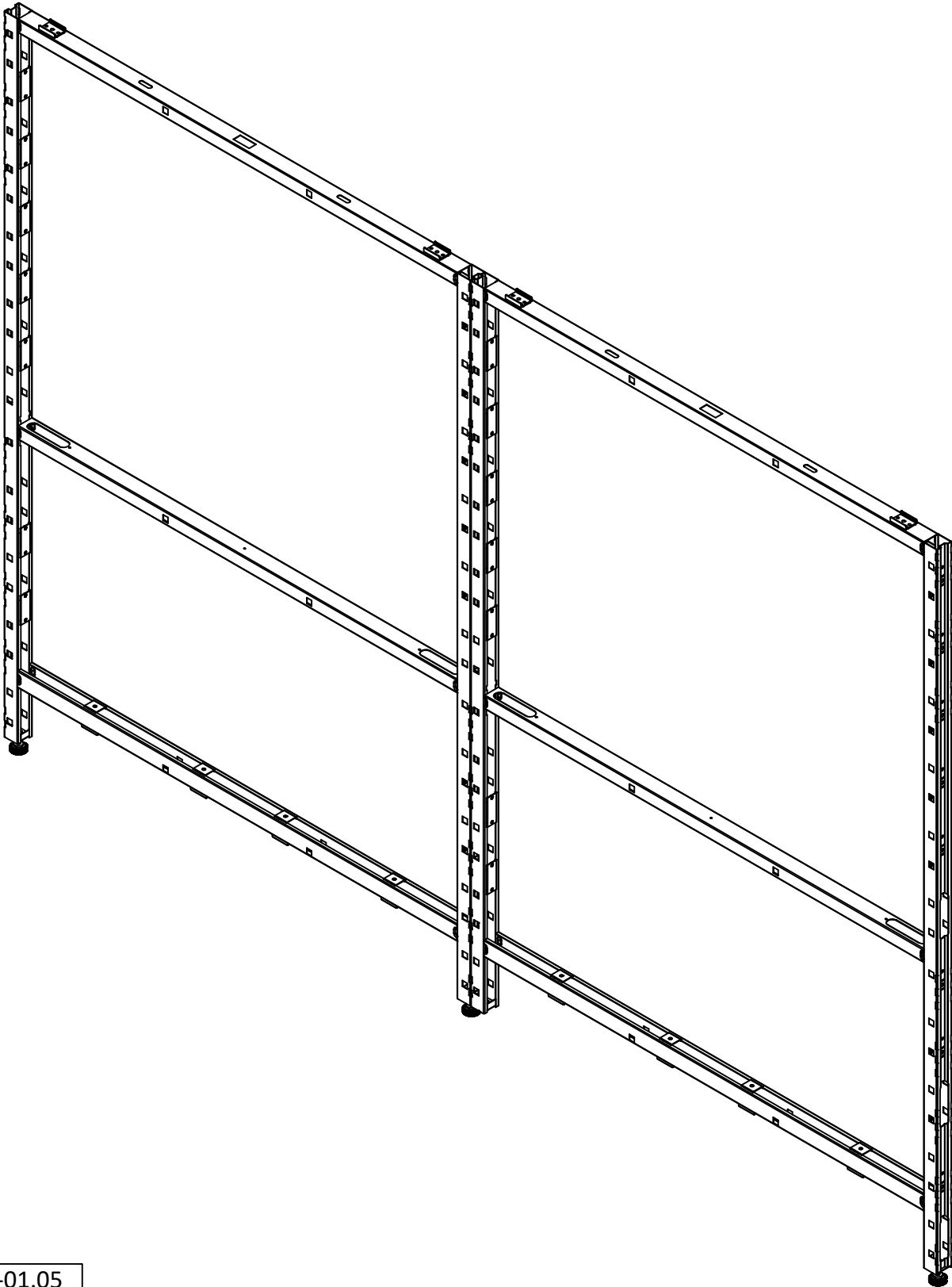



2016-01.04 :- A66 (2-WAY) INLINE FRAME CONFIGURATION USING POST COVER :-



Sr. No.	2016-01	ASSEMBLY/DISASSEMBLY INSTRUCTION	
Issue Date	15.09.16	Description: A66 FRAME TO FRAME JOINING INLINE CONFIGURATION	
Rev. Date	29.11.23		
Rev. No.	1		

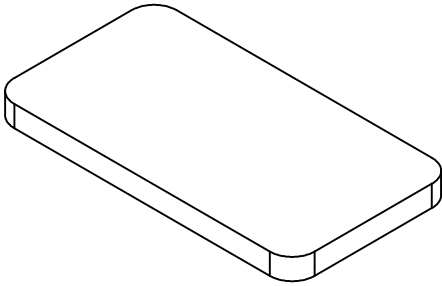
2016-01.05 :-A66 FRAME TO FRAME JOINING INLINE CONFIGURATION :-



Sr. No.	2016-01	ASSEMBLY/DISASSEMBLY INSTRUCTION	
Issue Date	15.09.16	Description: A66 FRAME TO FRAME JOINING INLINE CONFIGURATION	
Rev. Date	29.11.23		
Rev. No.	1		

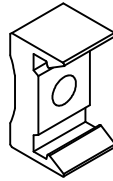
Part list –

1NO.



A66 – HORI. TOP
CAP INLINE CONNR
PLATE

3NOS.



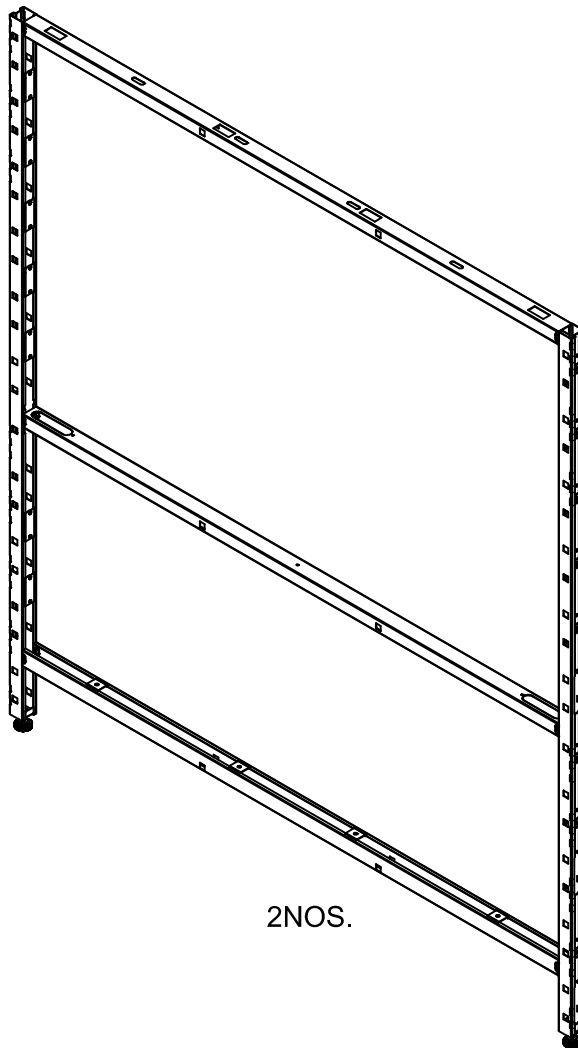
A66 – MOULDED
CLIP FOR TOP
CAP

3NOS.




PAN PHILLIPS HEAD
MACHINE SCREW M6 X
16

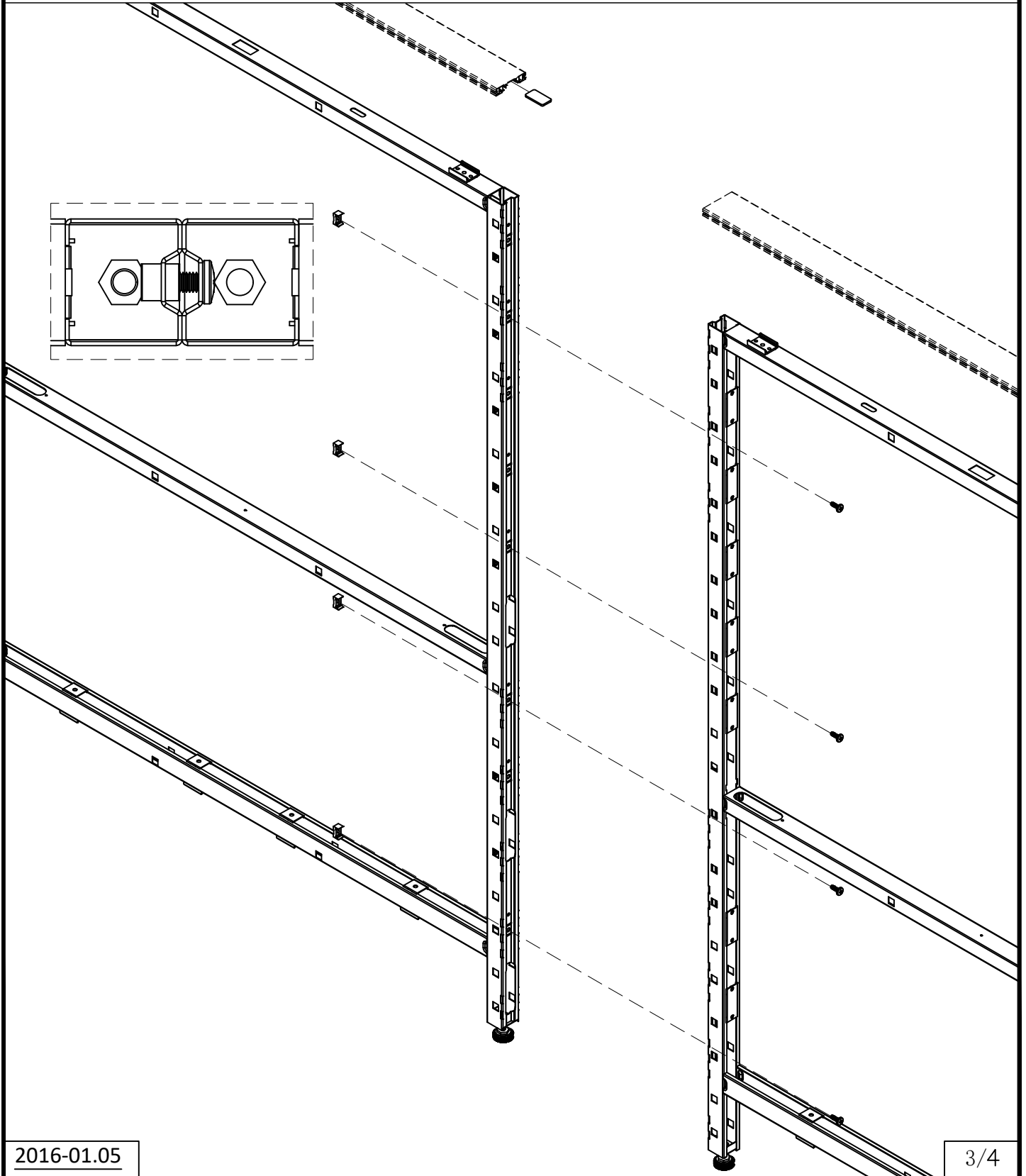
Component –



2NOS.

Sr. No.	2016-01	ASSEMBLY/DISASSEMBLY INSTRUCTION	
Issue Date	15.09.16	Description: A66 FRAME TO FRAME JOINING INLINE CONFIGURATION	
Rev. Date	29.11.23		
Rev. No.	1		

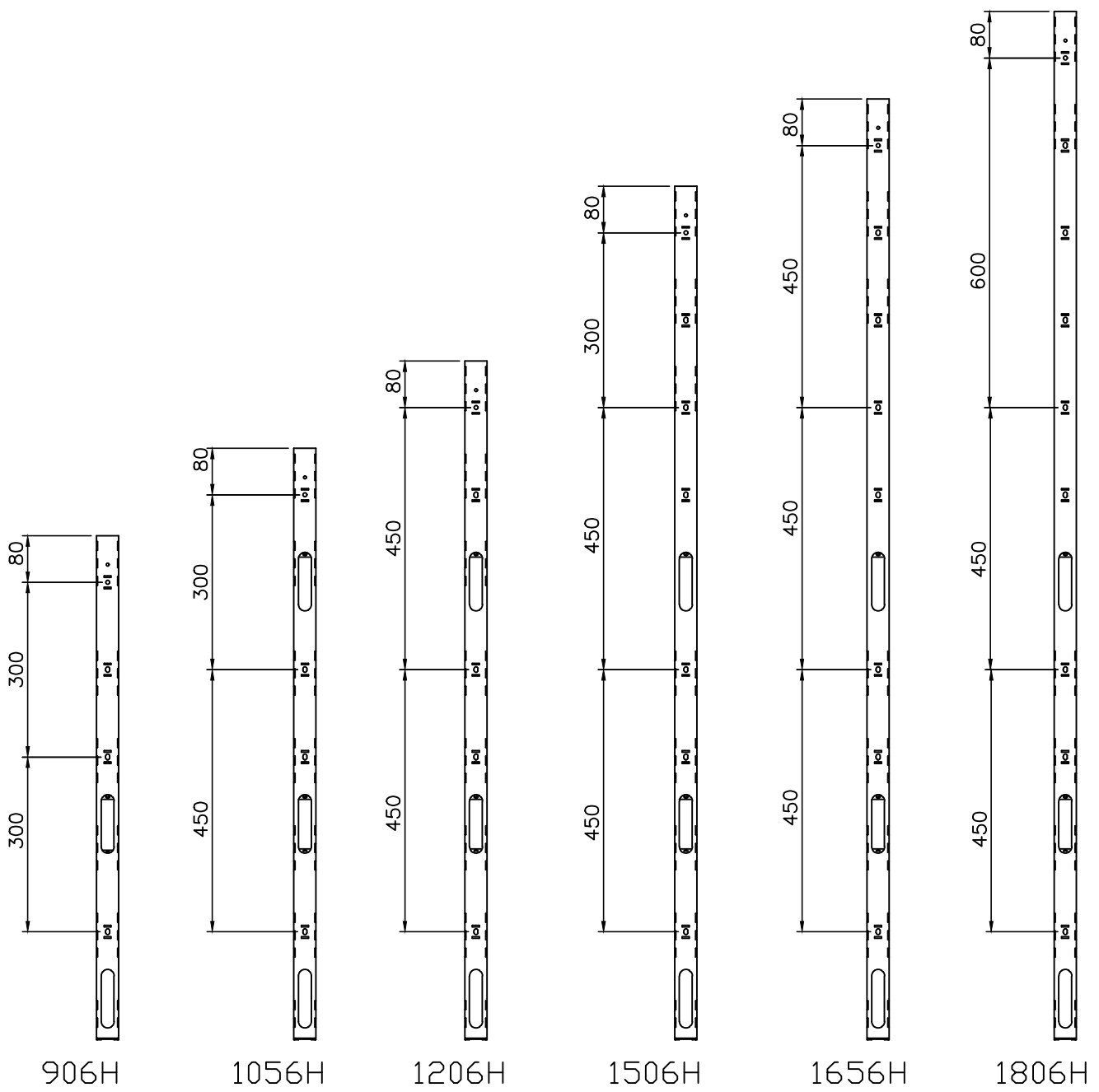
2016-01.05 :- A66 FRAME TO FRAME JOINING INLINE CONFIGURATION :-




Sr. No.	2016-01	ASSEMBLY/DISASSEMBLY INSTRUCTION
Issue Date	15.09.16	Description: A66 FRAME TO FRAME JOINING INLINE CONFIGURATION
Rev. Date	29.11.23	
Rev. No.	1	

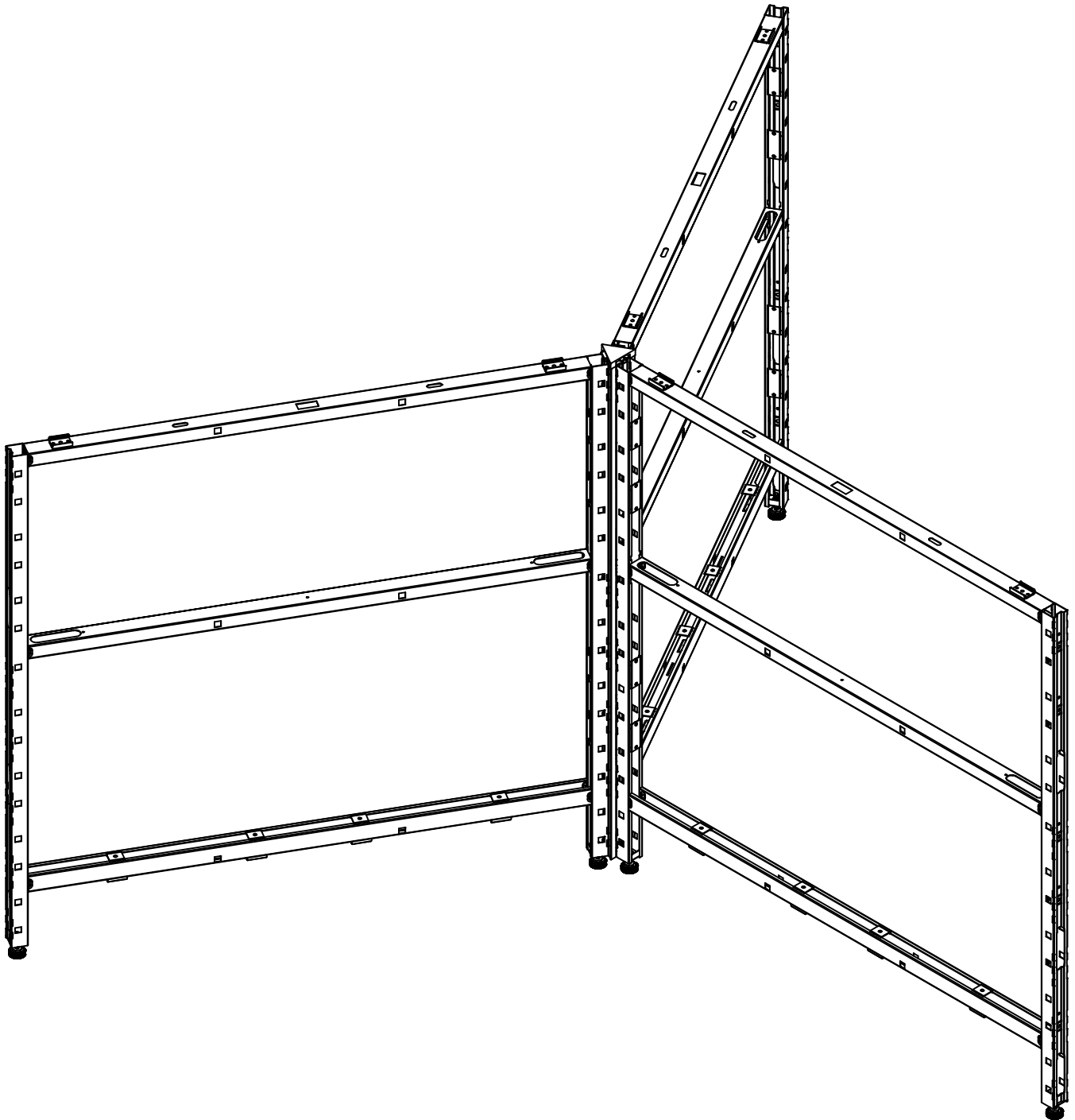



2016-01.05 :-A66 FRAME TO FRAME JOINING INLINE CONFIGURATION :-



Sr. No.	2016-01	ASSEMBLY/DISASSEMBLY INSTRUCTION	
Issue Date	15.09.16	Description : A66 (3-WAY) Y TYPE 120DEG FRAME CONFIGURATION	
Rev. Date	29.11.23		
Rev. No.	1		

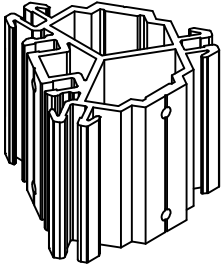
2016-01.06 :-A66 (3-WAY) Y TYPE 120DEG FRAME CONFIGURATION :-



Sr. No.	2016-01	ASSEMBLY/DISASSEMBLY INSTRUCTION	
Issue Date	15.09.16	Description : A66 (3-WAY) Y TYPE 120DEG FRAME CONFIGURATION	
Rev. Date	29.11.23		
Rev. No.	1		

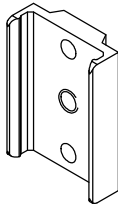
Part list -

3NOS.



A66 - Y TYP (3 WAY)
120 DEG CONECTOR CAP

6NOS.



A66 - MOULDED
CLIP FOR TOP
CAP

15NOS.



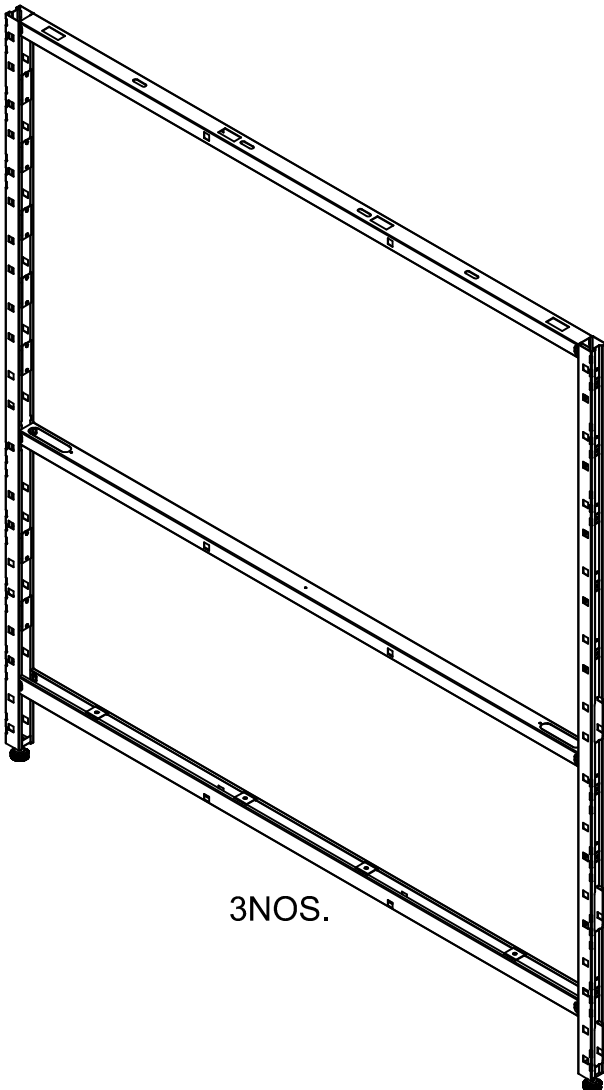
A66 - U
GASKET 20MM

18NOS.

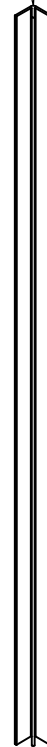


PHILIP SELF
DRILLING PAN
HEAD 3.9X25

Component -



3NOS.

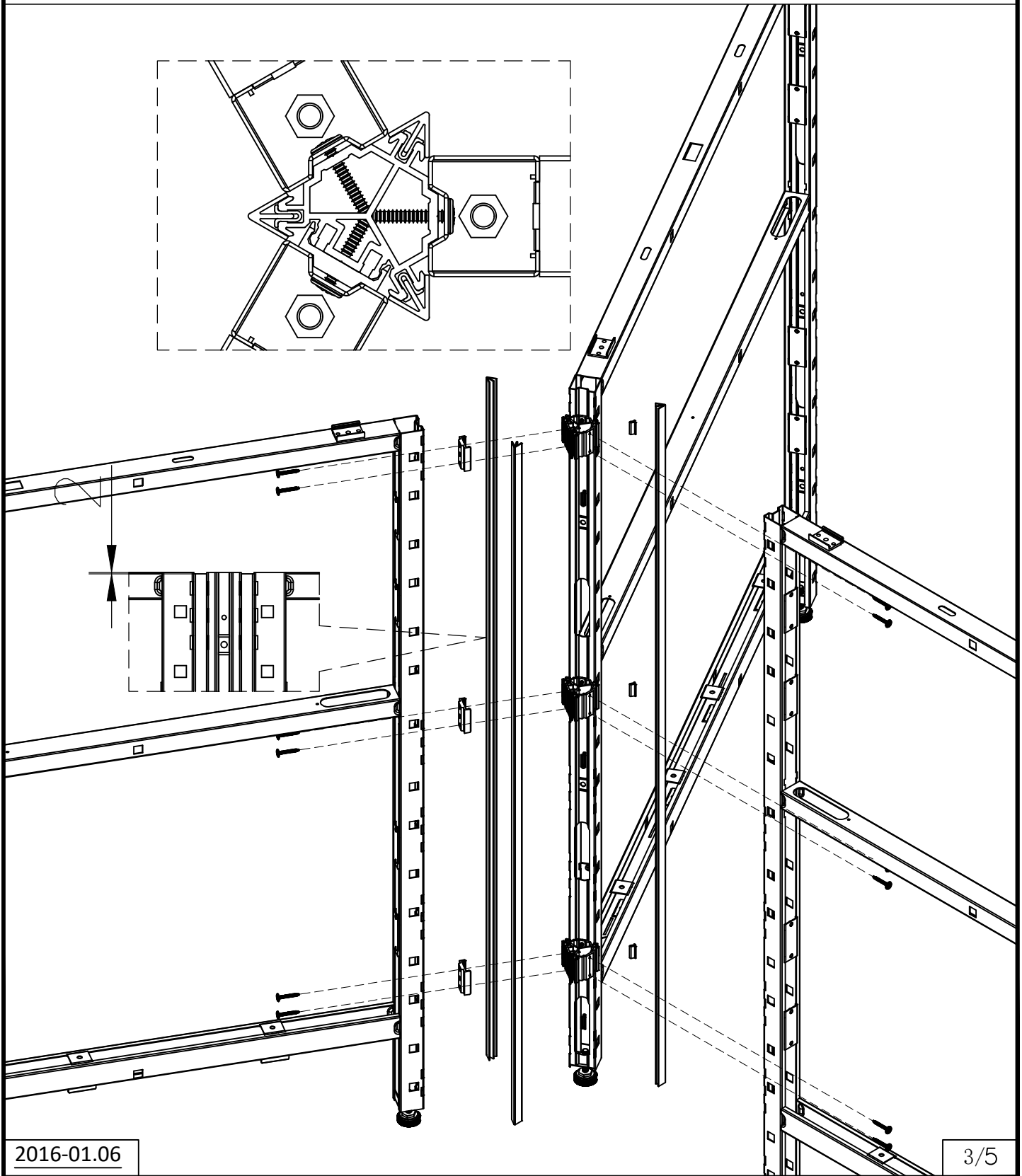


3NOS.

Sr. No.	2016-01	ASSEMBLY/DISASSEMBLY INSTRUCTION
Issue Date	15.09.16	Description : A66 (3-WAY) Y TYPE 120DEG FRAME CONFIGURATION
Rev. Date	29.11.23	
Rev. No.	1	



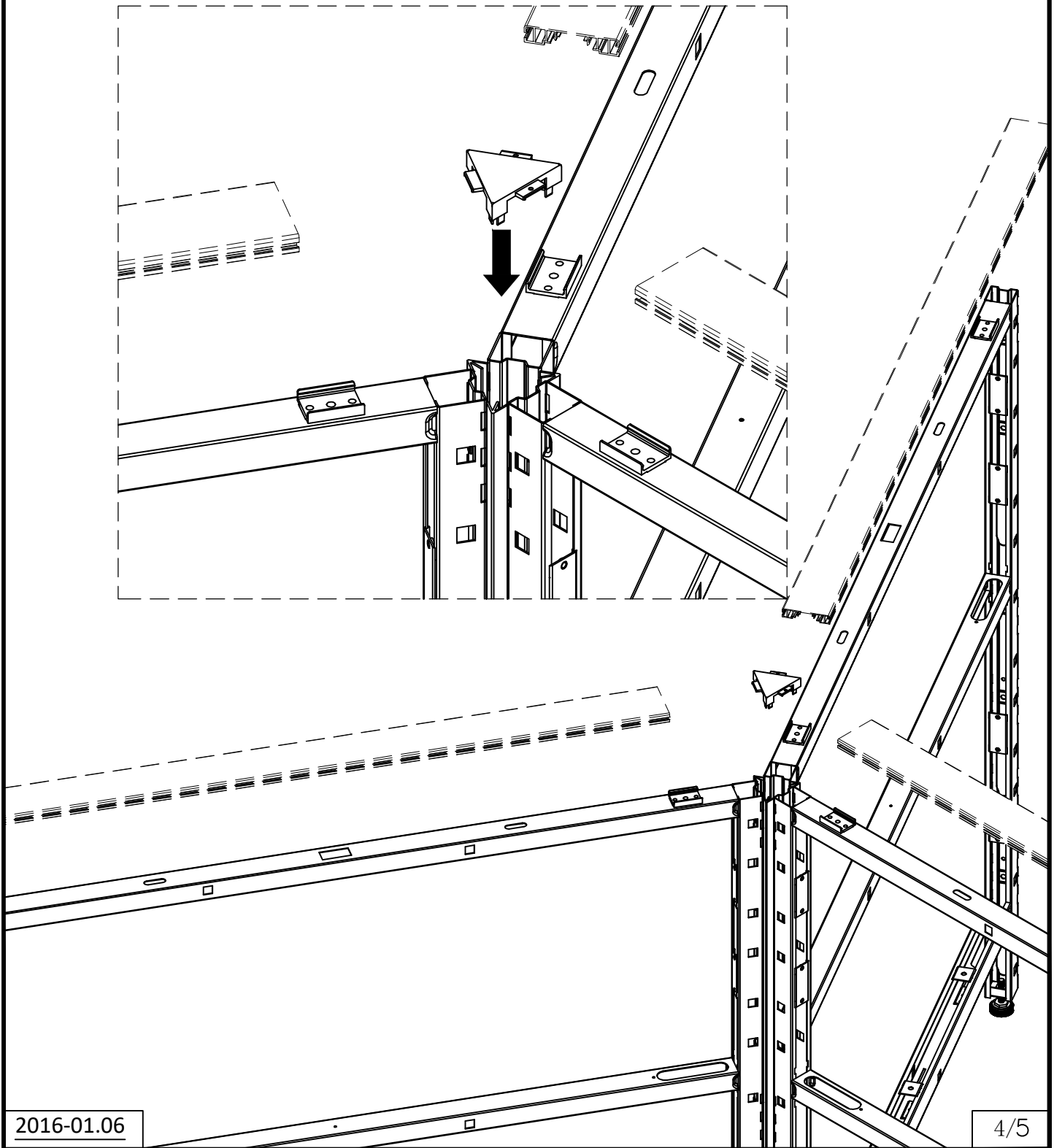
2016-01.06 :-A66 (3-WAY) Y TYPE 120DEG FRAME CONFIGURATION :-



Sr. No.	2016-01	ASSEMBLY/DISASSEMBLY INSTRUCTION
Issue Date	15.09.16	Description : A66 (3-WAY) Y TYPE 120DEG FRAME CONFIGURATION
Rev. Date	29.11.23	
Rev. No.	1	



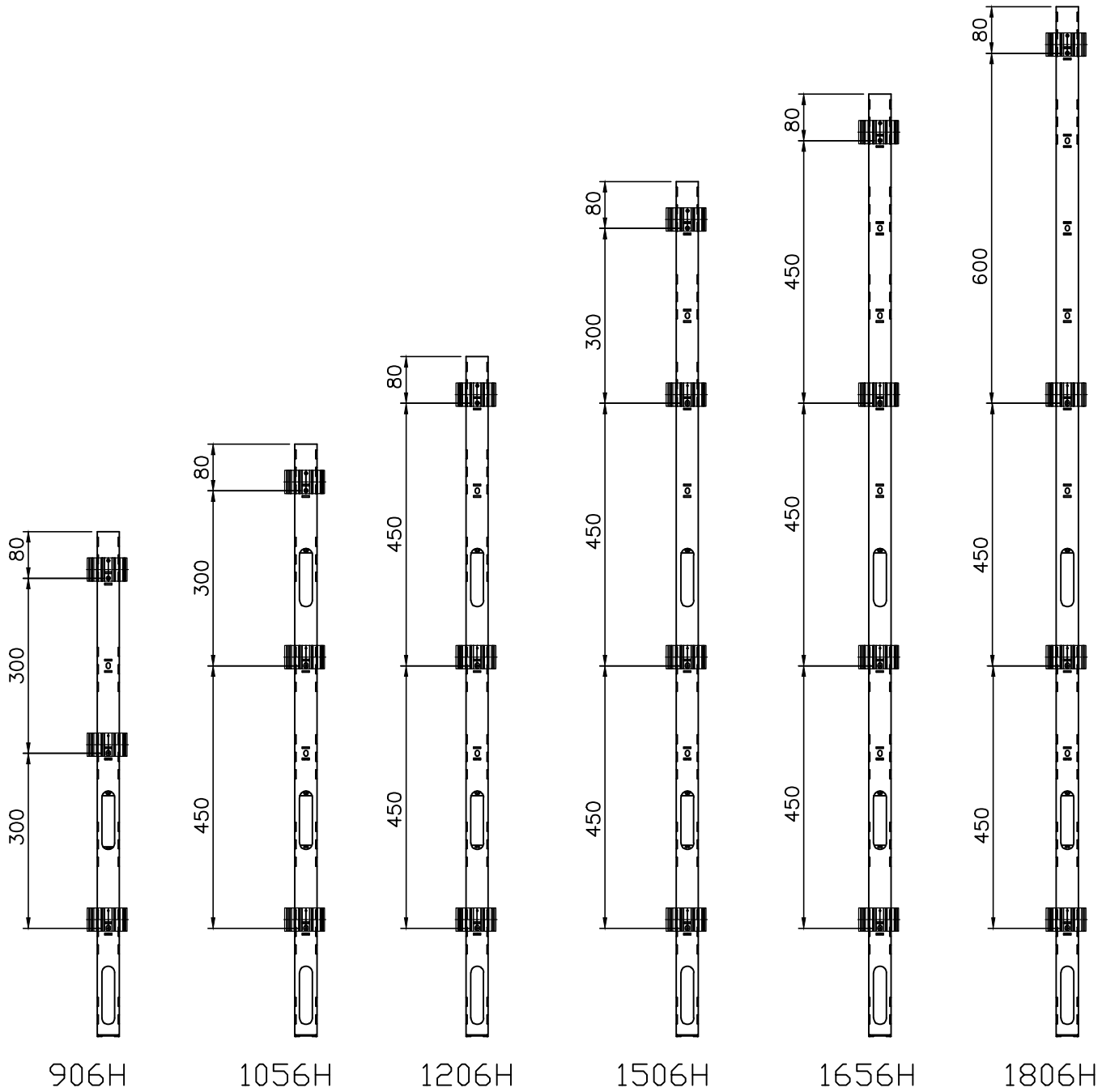
2016-01.06 :-A66 (3-WAY) Y TYPE 120DEG FRAME CONFIGURATION :-




Sr. No.	2016-01	ASSEMBLY/DISASSEMBLY INSTRUCTION
Issue Date	15.09.16	Description : A66 (3-WAY) Y TYPE 120DEG FRAME CONFIGURATION
Rev. Date	29.11.23	
Rev. No.	1	

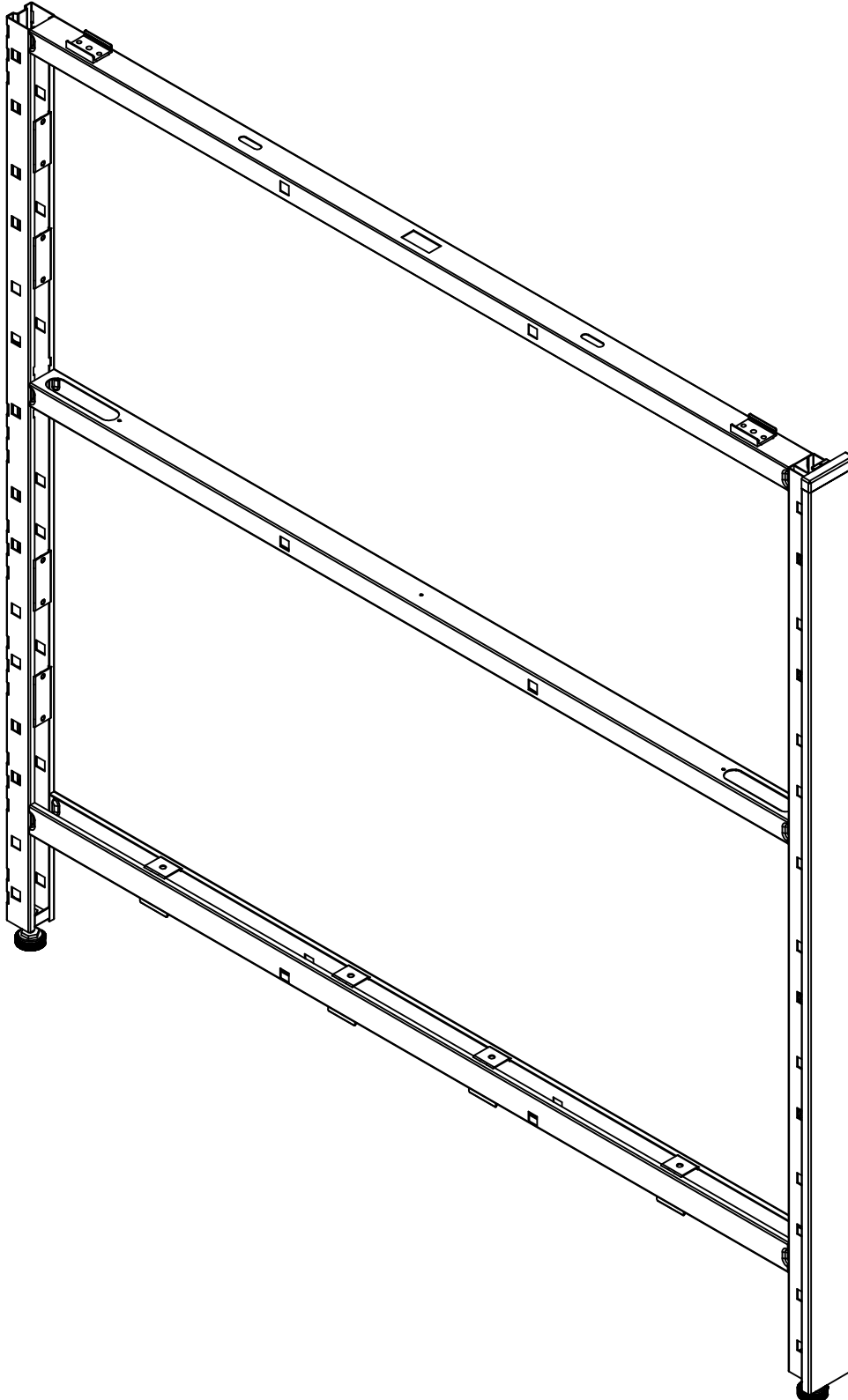



2016-01.06 :-A66 (3-WAY) Y TYPE 120DEG FRAME CONFIGURATION :-



Sr. No.	2016-01	ASSEMBLY/DISASSEMBLY INSTRUCTION	
Issue Date	15.09.16	Description : A66 VERTICAL TRIM ASSEMBLY	
Rev. Date	29.11.23		
Rev. No.	1		

2016-01.07 :- A66 VERTICAL TRIM ASSEMBLY :-

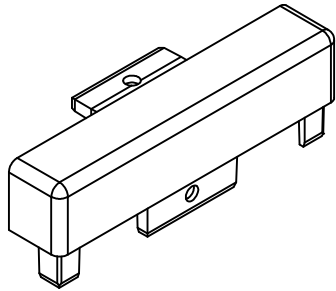


Sr. No.	2016-01	ASSEMBLY/DISASSEMBLY INSTRUCTION	
Issue Date	15.09.16	Description : A66 VERTICAL TRIM ASSEMBLY	
Rev. Date	29.11.23		
Rev. No.	1		

Part list -

1NO.

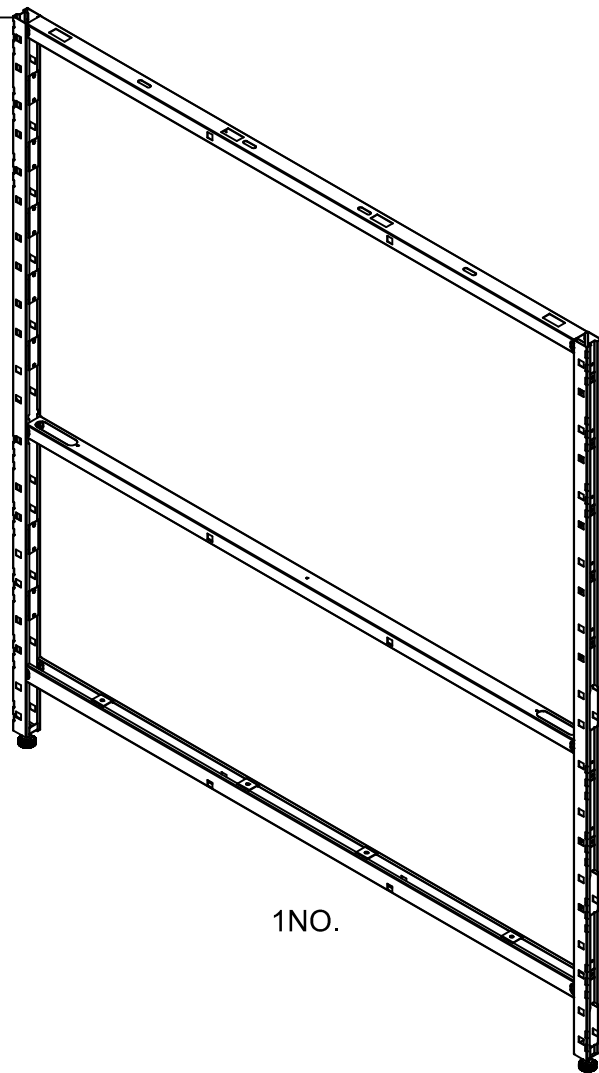
AS PER BOM



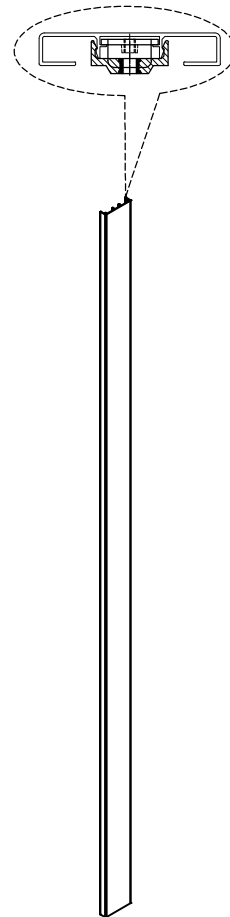
A66- END CAP W/O LOGO

PAN PHILLIPS HD M/C SCREW
M6X13


Component



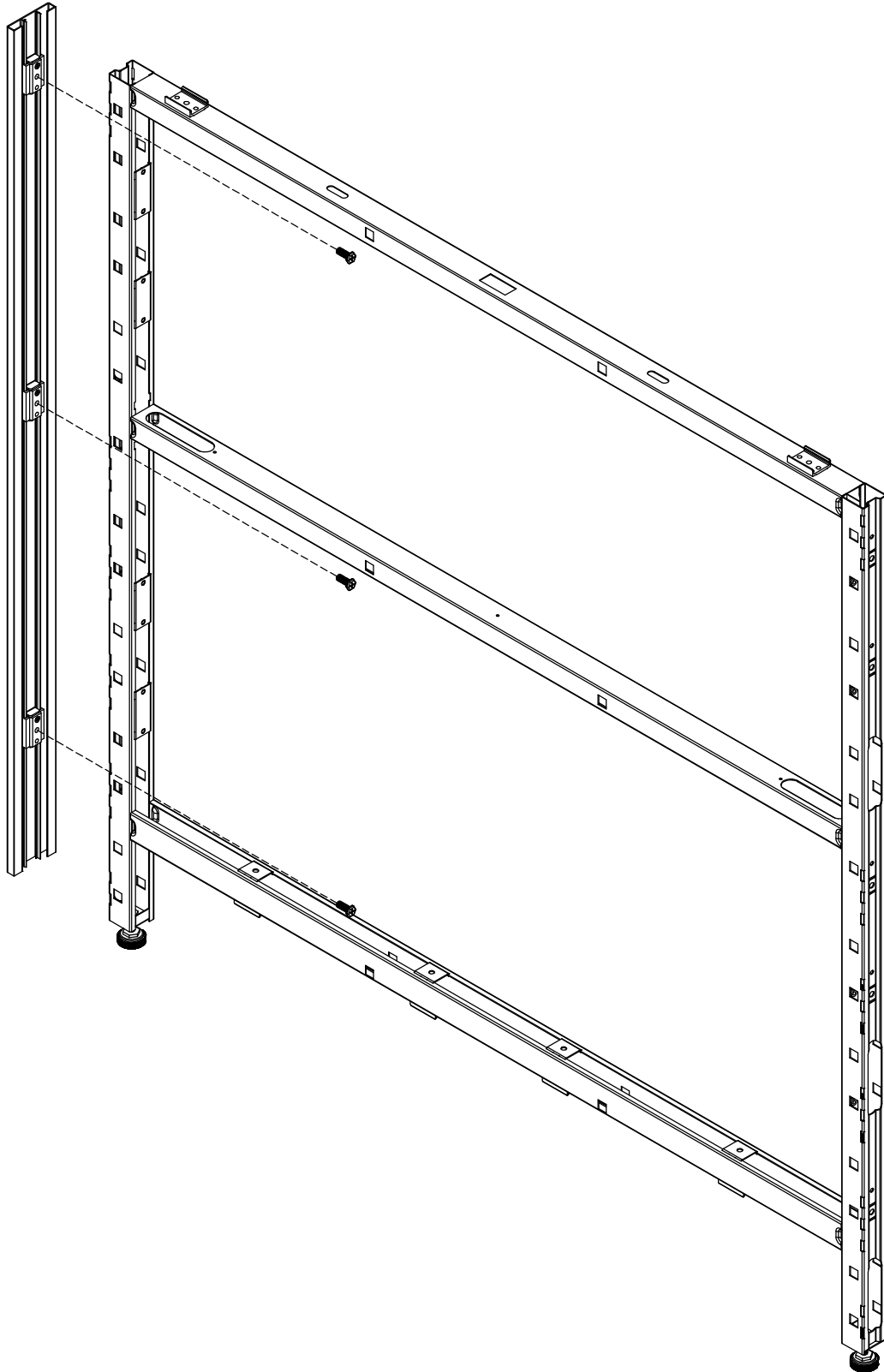
1NO.




1NO.

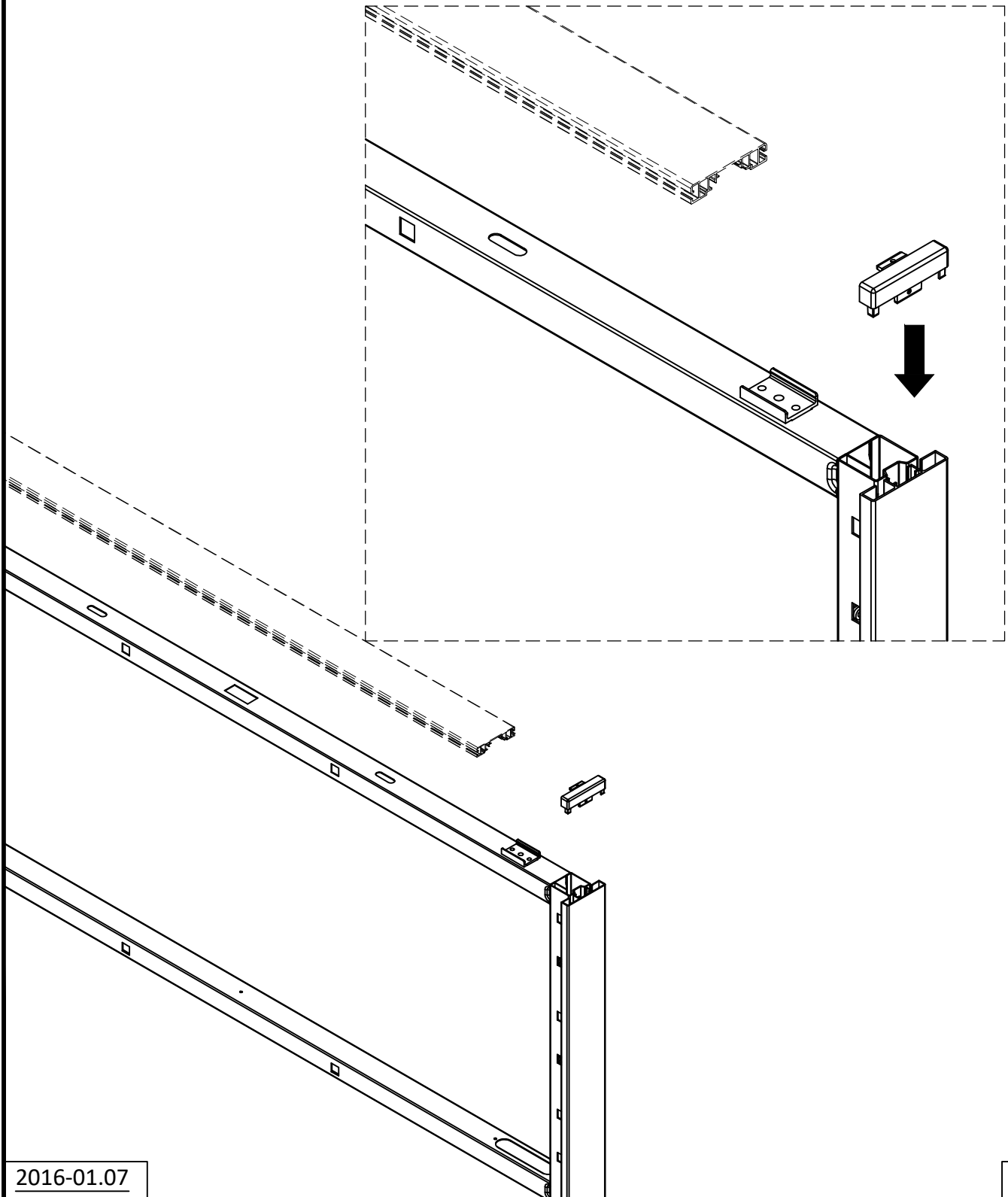
Sr. No.	2016-01	ASSEMBLY/DISASSEMBLY INSTRUCTION	
Issue Date	15.09.16	Description : A66 VERTICAL TRIM ASSEMBLY	
Rev. Date	29.11.23		
Rev. No.	1		


2016-01.07 :- A66 VERTICAL TRIM ASSEMBLY :-



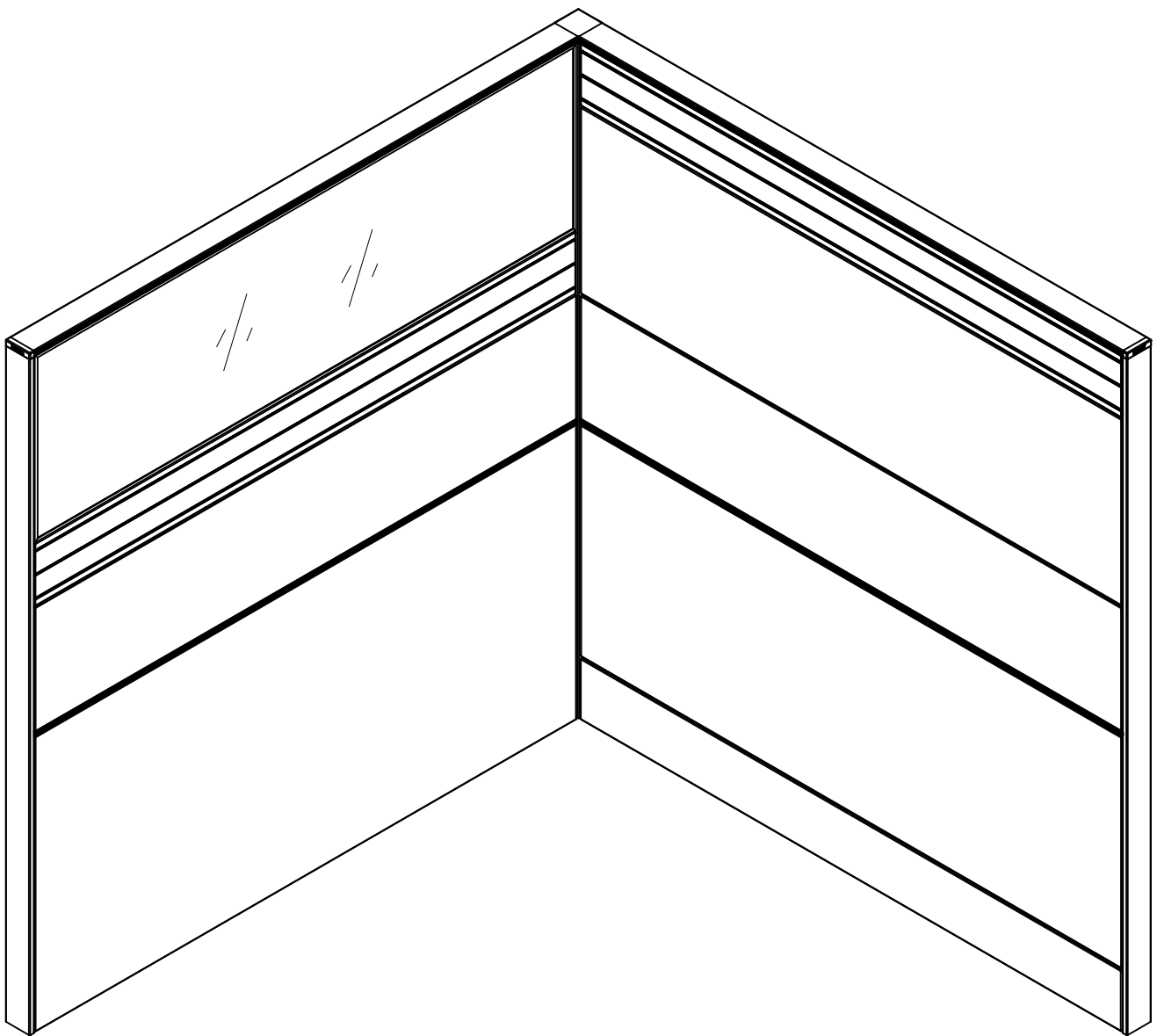
Sr. No.	2016-01	ASSEMBLY/DISASSEMBLY INSTRUCTION	
Issue Date	15.09.16	Description : A66 VERTICAL TRIM ASSEMBLY	
Rev. Date	29.11.23		
Rev. No.	1		


2016-01.07 :- A66 VERTICAL TRIM ASSEMBLY :-



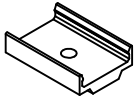





Sr. No.	2016-01	ASSEMBLY/DISASSEMBLY INSTRUCTION	
Issue Date	15.09.16	Description : A66 TILE ASSEMBLY (ST/LAM/GLASS/ACCESORY TILE)	
Rev. Date	29.11.23		
Rev. No.	1		


2016-01.08 :- A66 TILE ASSEMBLY (ST/LAM/GLASS/ACCESORY TILE) :-



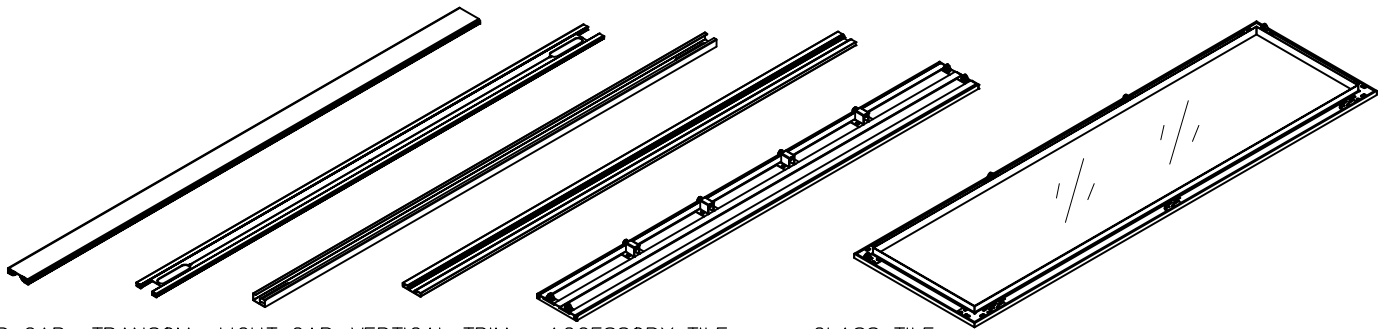
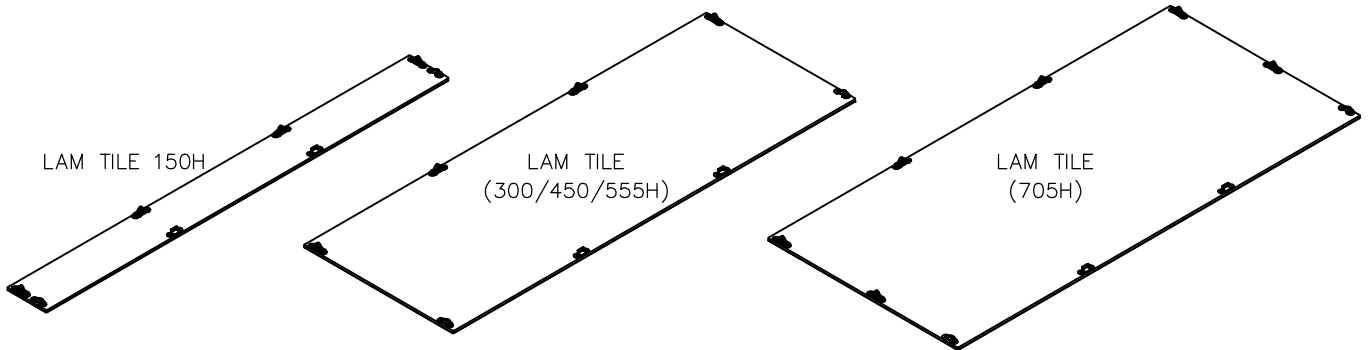
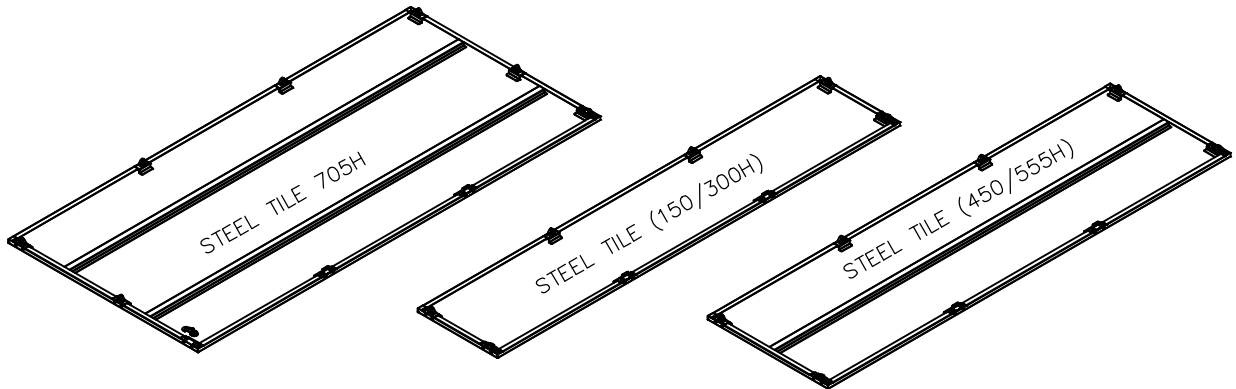
Sr. No.	2016-01	ASSEMBLY/DISASSEMBLY INSTRUCTION	
Issue Date	15.09.16	Description : A66 TILE ASSEMBLY (ST/LAM/GLASS/ACCESORY TILE)	
Rev. Date	29.11.23		
Rev. No.	1		

2016-01.08 :- A66 TILE ASSEMBLY (ST/LAM/GLASS/ACCESORY TILE) :-

 <p>A66 – MOULDED CLIP FOR TOP CAP</p>	 <p>PHILIP PAN HEAD M/C SCREW M6X35</p>
 <p>PHI. CSK HEAD M/C M4 x 8</p>	 <p>PHILIP SELF DRILLING PAN HEAD 3.9X16</p>
 <p>CSK PHILLIPS HEAD ST SCREW 6 X 9.5</p>	 <p>WASHER Ø5 X 11 X 1MM THK</p>

Sr. No.	2016-01	ASSEMBLY/DISASSEMBLY INSTRUCTION	
Issue Date	15.09.16	Description : A66 TILE ASSEMBLY (ST/LAM/GLASS/ACCESORY TILE)	
Rev. Date	29.11.23		
Rev. No.	1		

2016-01.08 :- A66 TILE ASSEMBLY (ST/LAM/GLASS/ACCESORY TILE) :-



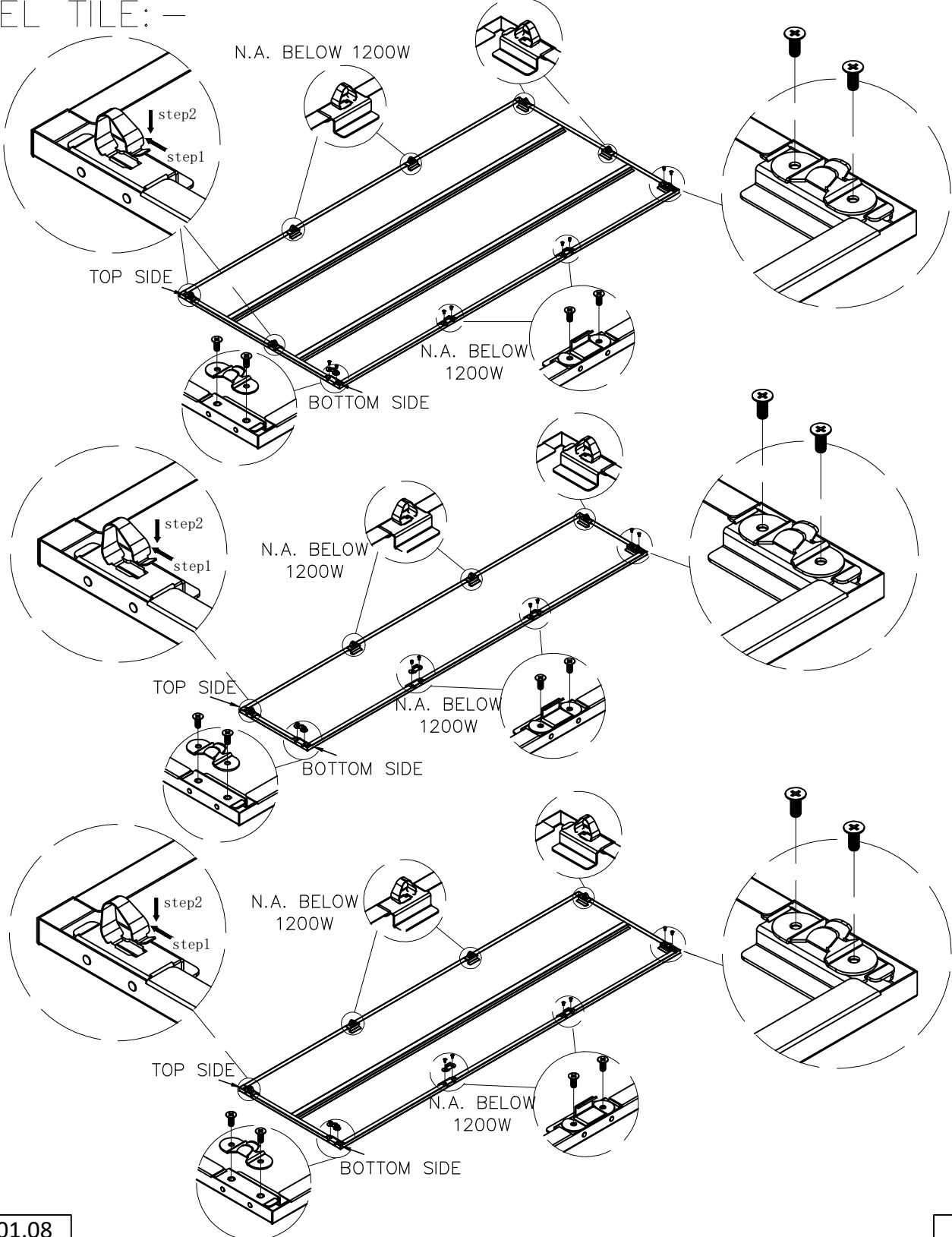
TOP CAP TRANSOM LIGHT GAP ARRESTER CHANNEL VERTICAL TRIM ACCESSORY TILE GLASS TILE

Sr. No.	2016-01	ASSEMBLY/DISASSEMBLY INSTRUCTION
Issue Date	15.09.16	Description : A66 TILE ASSEMBLY (ST/LAM/GLASS/ACCESORY TILE)
Rev. Date	29.11.23	
Rev. No.	1	



2016-01.08 :- A66 TILE ASSEMBLY (ST/LAM/GLASS/ACCESORY TILE) :-

STEEL TILE: -

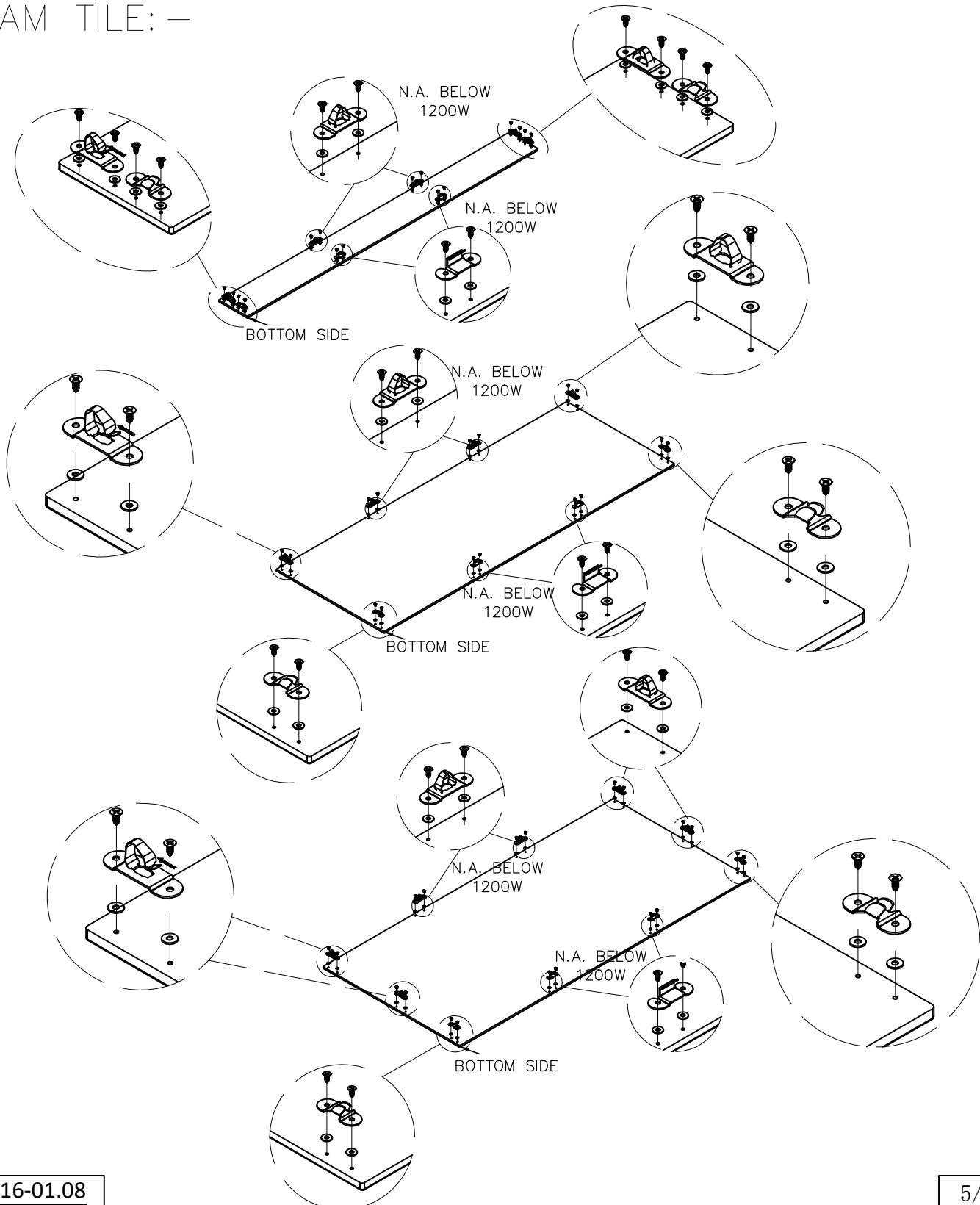



Sr. No.	2016-01	ASSEMBLY/DISASSEMBLY INSTRUCTION
Issue Date	15.09.16	Description : A66 TILE ASSEMBLY (ST/LAM/GLASS/ACCESORY TILE)
Rev. Date	29.11.23	
Rev. No.	1	



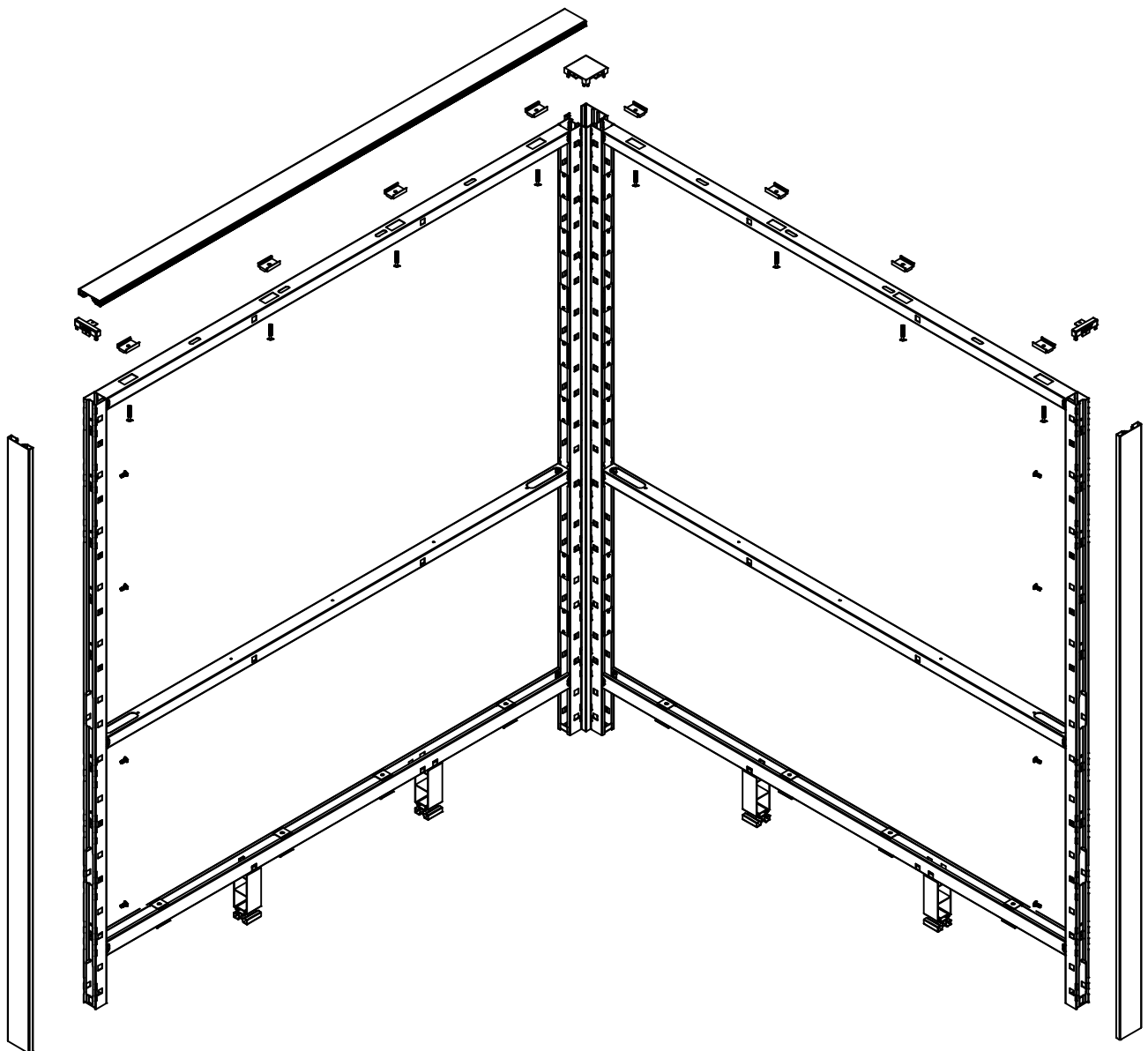
2016-01.08 :- A66 TILE ASSEMBLY (ST/LAM/GLASS/ACCESORY TILE) :-


LAM TILE: -



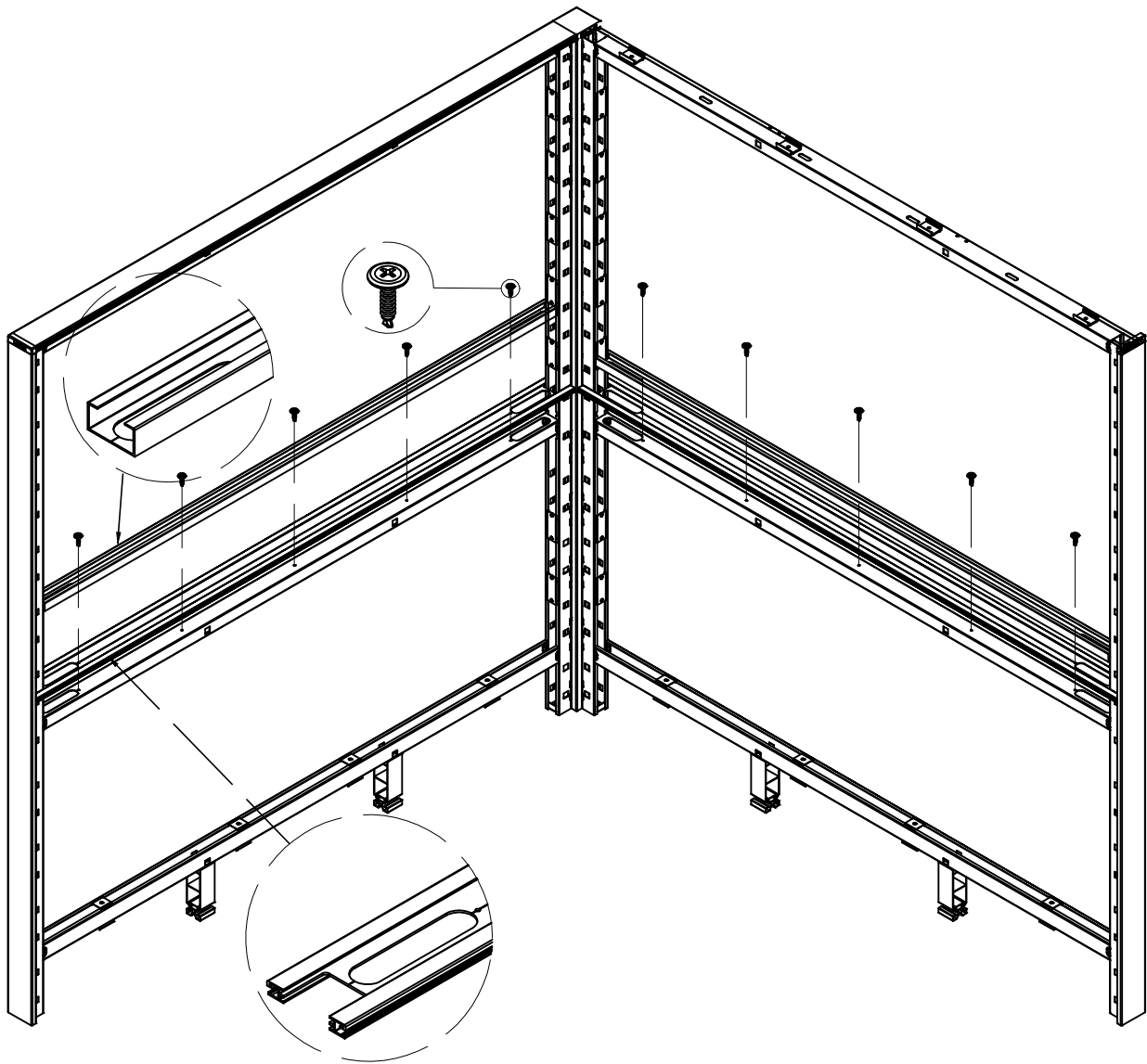
Sr. No.	2016-01	ASSEMBLY/DISASSEMBLY INSTRUCTION	
Issue Date	15.09.16	Description : A66 TILE ASSEMBLY (ST/LAM/GLASS/ACCESORY TILE)	
Rev. Date	29.11.23		
Rev. No.	1		


2016-01.08 :- A66 TILE ASSEMBLY (ST/LAM/GLASS/ACCESORY TILE) :-



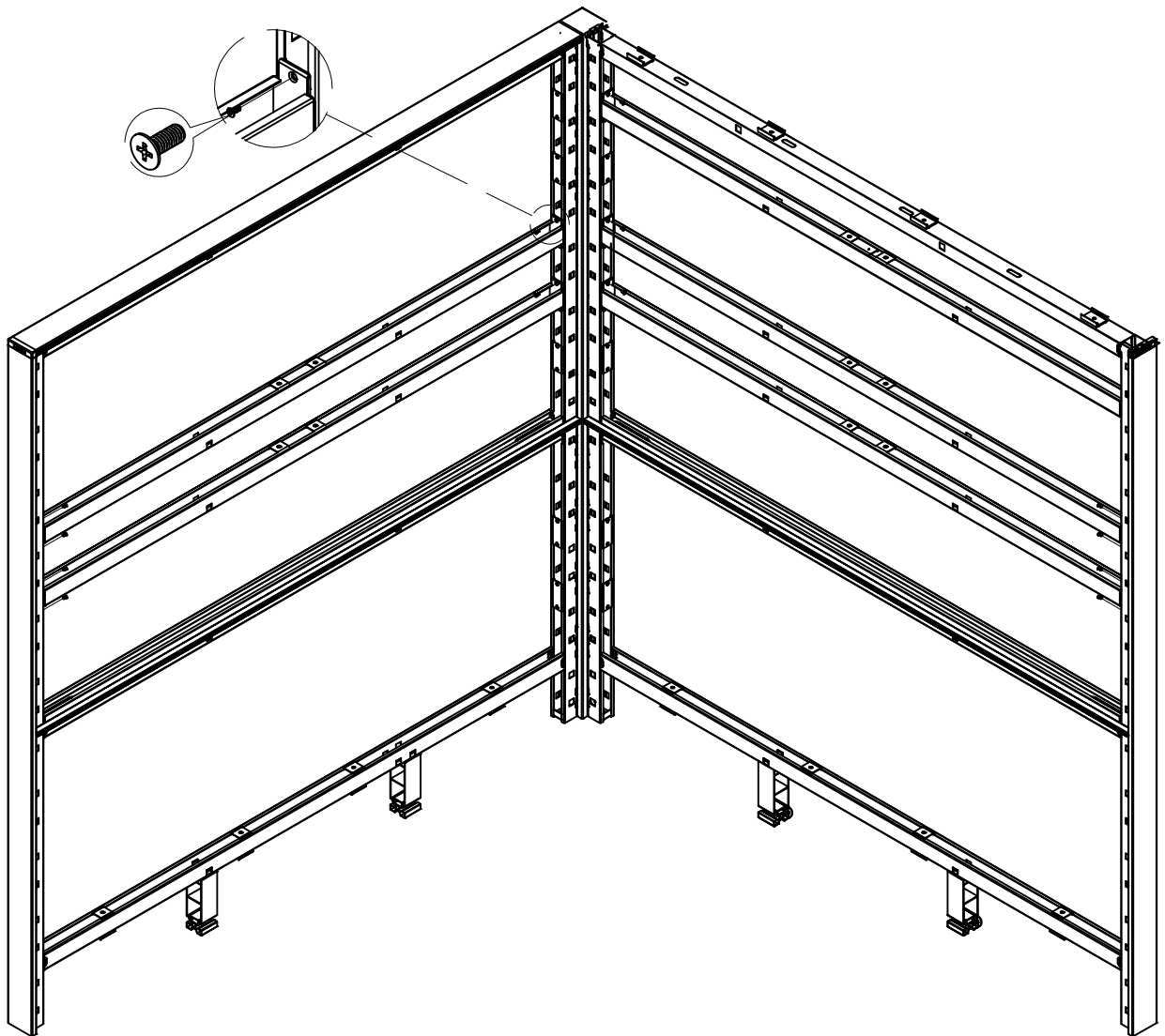
Sr. No.	2016-01	ASSEMBLY/DISASSEMBLY INSTRUCTION	
Issue Date	15.09.16	Description : A66 TILE ASSEMBLY (ST/LAM/GLASS/ACCESORY TILE)	
Rev. Date	29.11.23		
Rev. No.	1		


2016-01.08 :- A66 TILE ASSEMBLY (ST/LAM/GLASS/ACCESORY TILE) :-



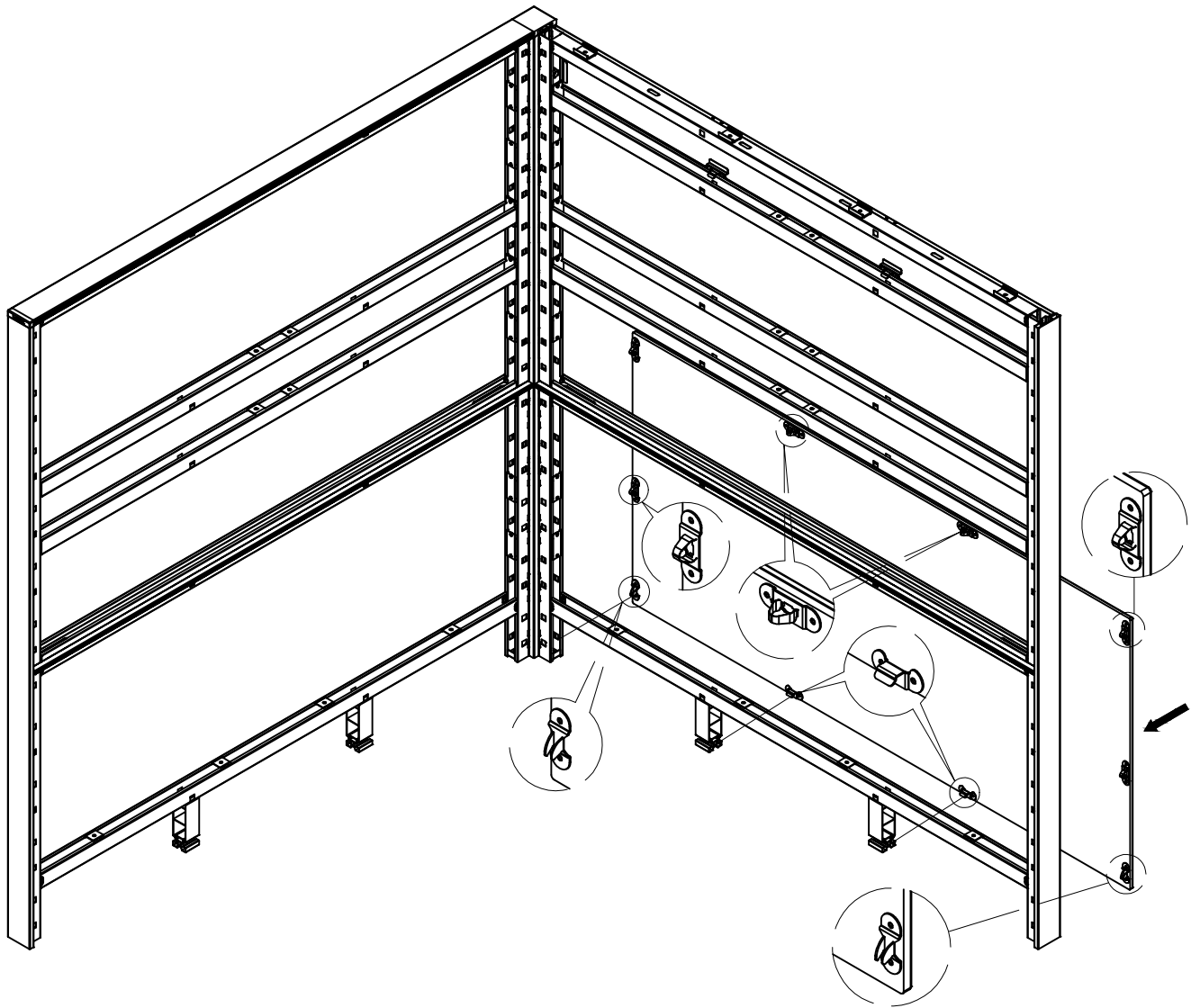
Sr. No.	2016-01	ASSEMBLY/DISASSEMBLY INSTRUCTION	
Issue Date	15.09.16	Description : A66 TILE ASSEMBLY (ST/LAM/GLASS/ACCESORY TILE)	
Rev. Date	29.11.23		
Rev. No.	1		


2016-01.08 :- A66 TILE ASSEMBLY (ST/LAM/GLASS/ACCESORY TILE) :-



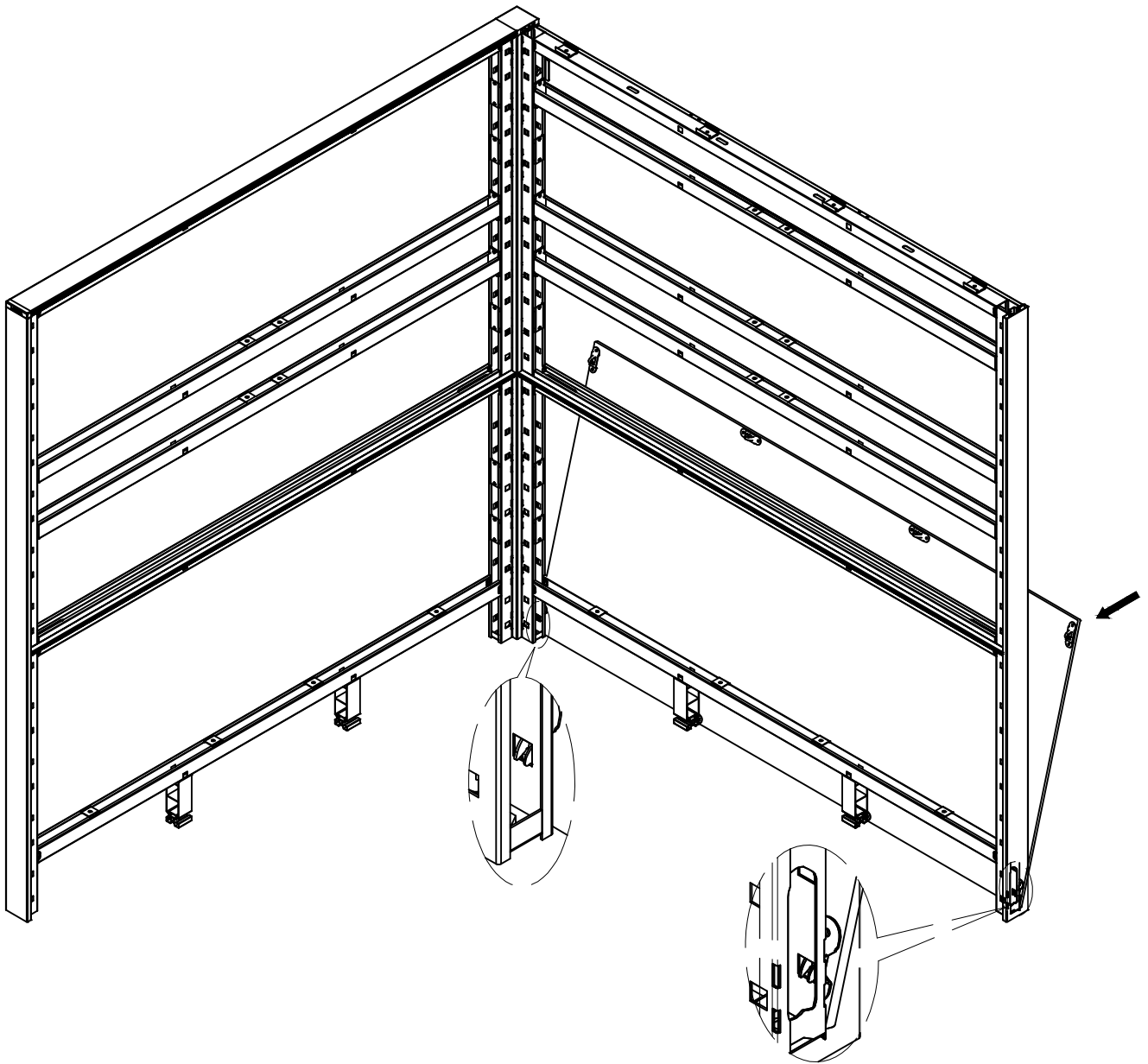
Sr. No.	2016-01	ASSEMBLY/DISASSEMBLY INSTRUCTION	
Issue Date	15.09.16	Description : A66 TILE ASSEMBLY (ST/LAM/GLASS/ACCESORY TILE)	
Rev. Date	29.11.23		
Rev. No.	1		


2016-01.08 :- A66 TILE ASSEMBLY (ST/LAM/GLASS/ACCESORY TILE) :-



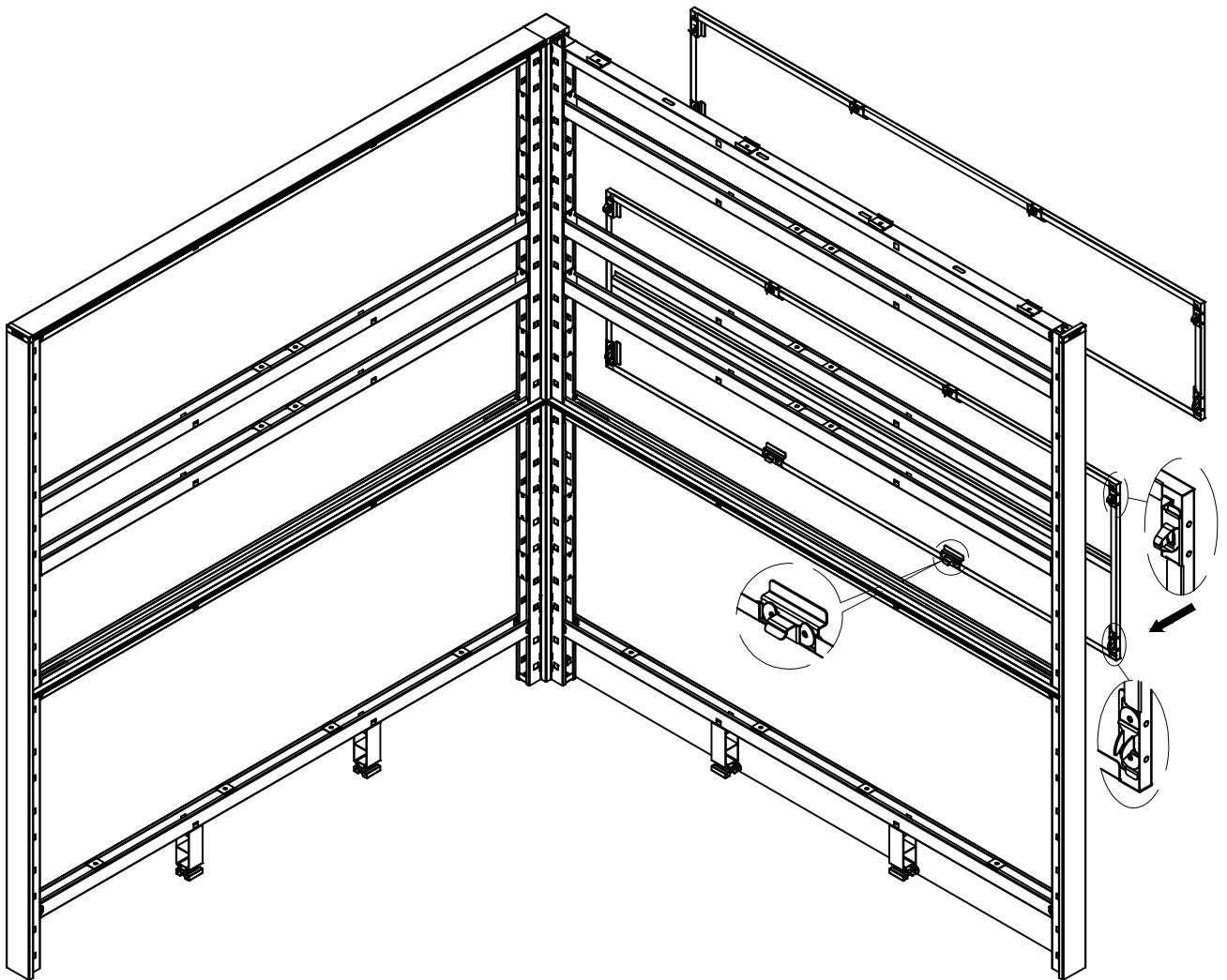
Sr. No.	2016-01	ASSEMBLY/DISASSEMBLY INSTRUCTION	
Issue Date	15.09.16	Description : A66 TILE ASSEMBLY (ST/LAM/GLASS/ACCESORY TILE)	
Rev. Date	29.11.23		
Rev. No.	1		


2016-01.08 :- A66 TILE ASSEMBLY (ST/LAM/GLASS/ACCESORY TILE) :-



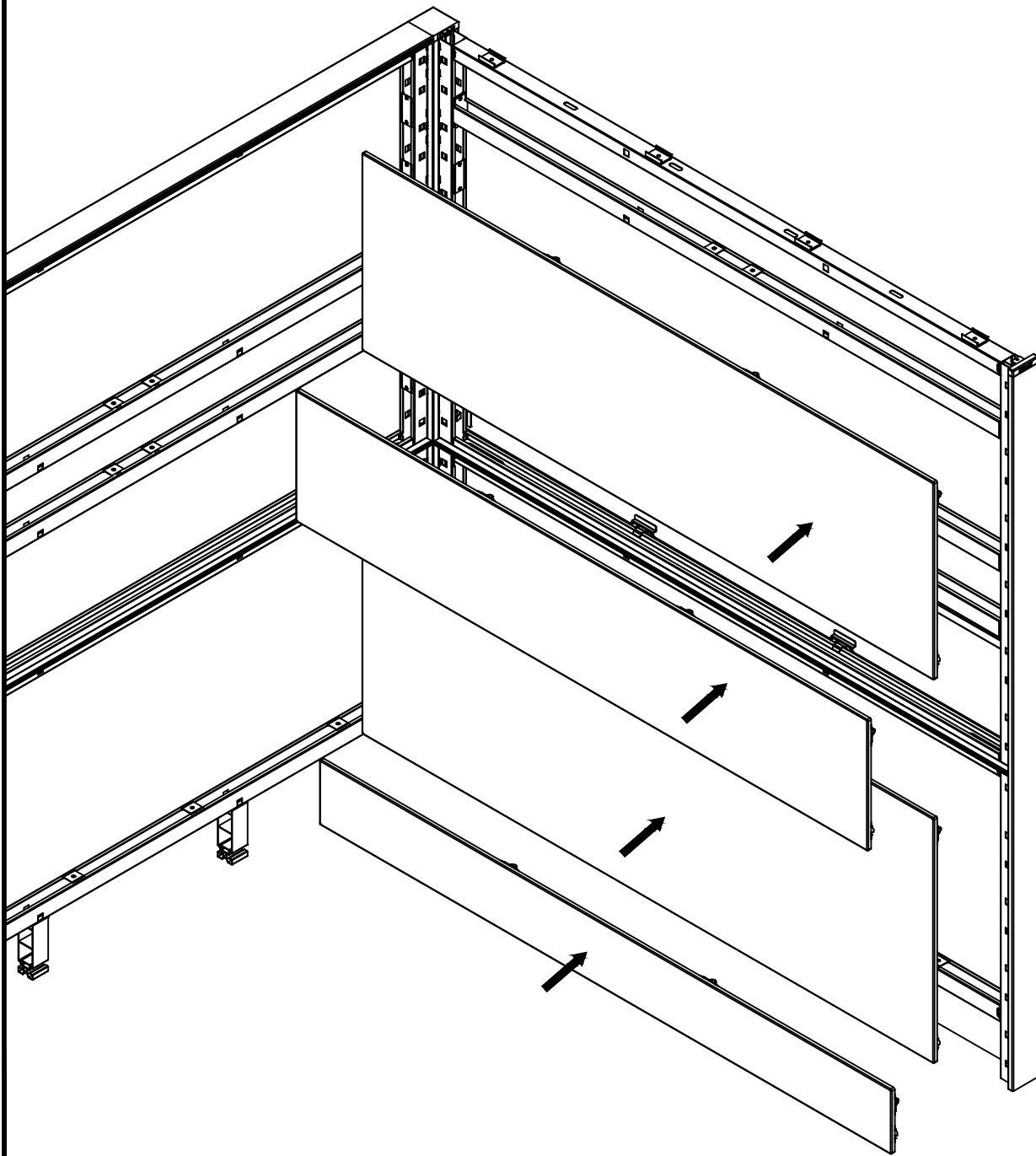
Sr. No.	2016-01	ASSEMBLY/DISASSEMBLY INSTRUCTION	
Issue Date	15.09.16	Description : A66 TILE ASSEMBLY (ST/LAM/GLASS/ACCESORY TILE)	
Rev. Date	29.11.23		
Rev. No.	1		

2016-01.08 :- A66 TILE ASSEMBLY (ST/LAM/GLASS/ACCESORY TILE) :-



Sr. No.	2016-01	ASSEMBLY/DISASSEMBLY INSTRUCTION	
Issue Date	15.09.16	Description : A66 TILE ASSEMBLY (ST/LAM/GLASS/ACCESORY TILE)	
Rev. Date	29.11.23		
Rev. No.	1		

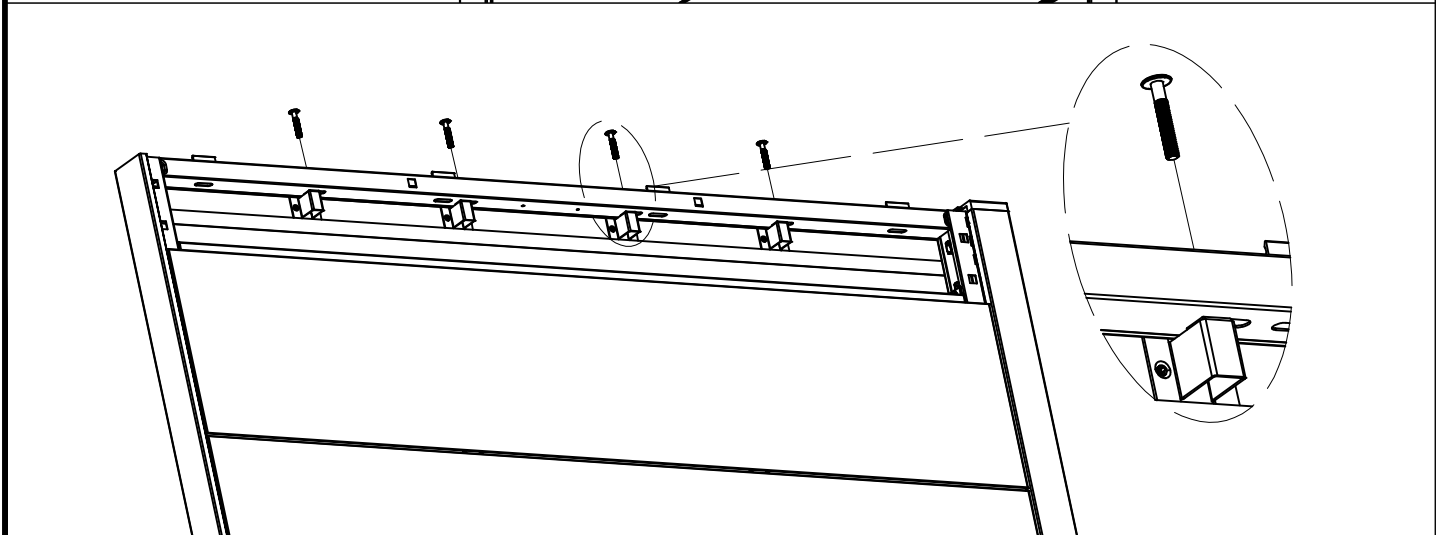
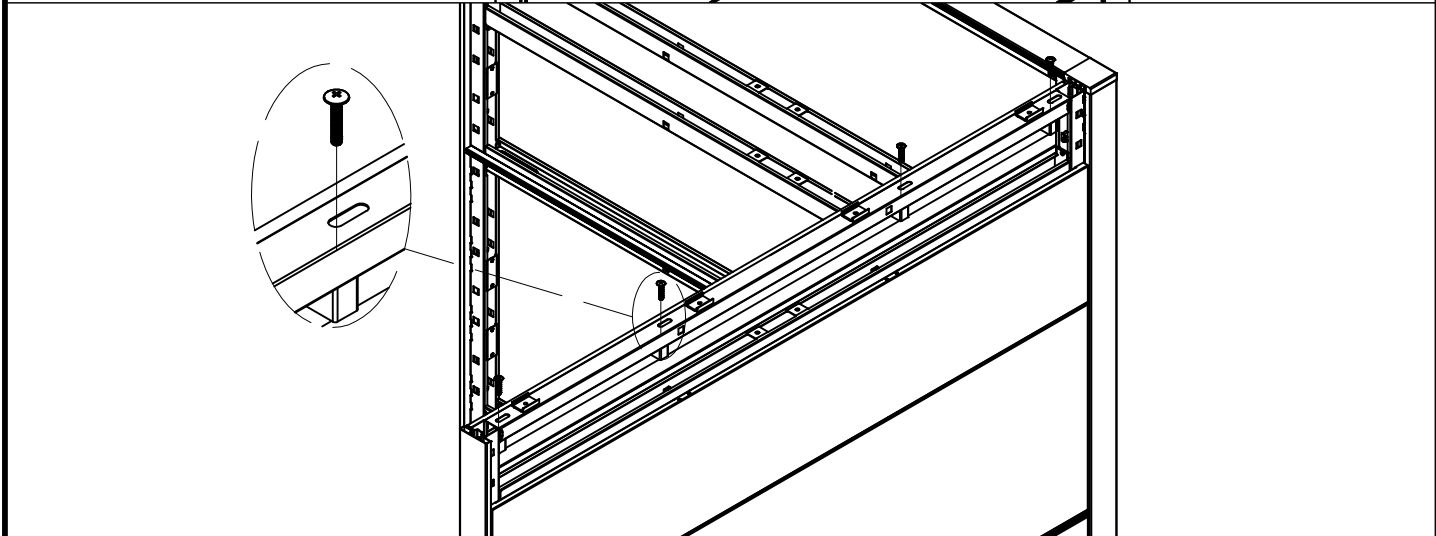
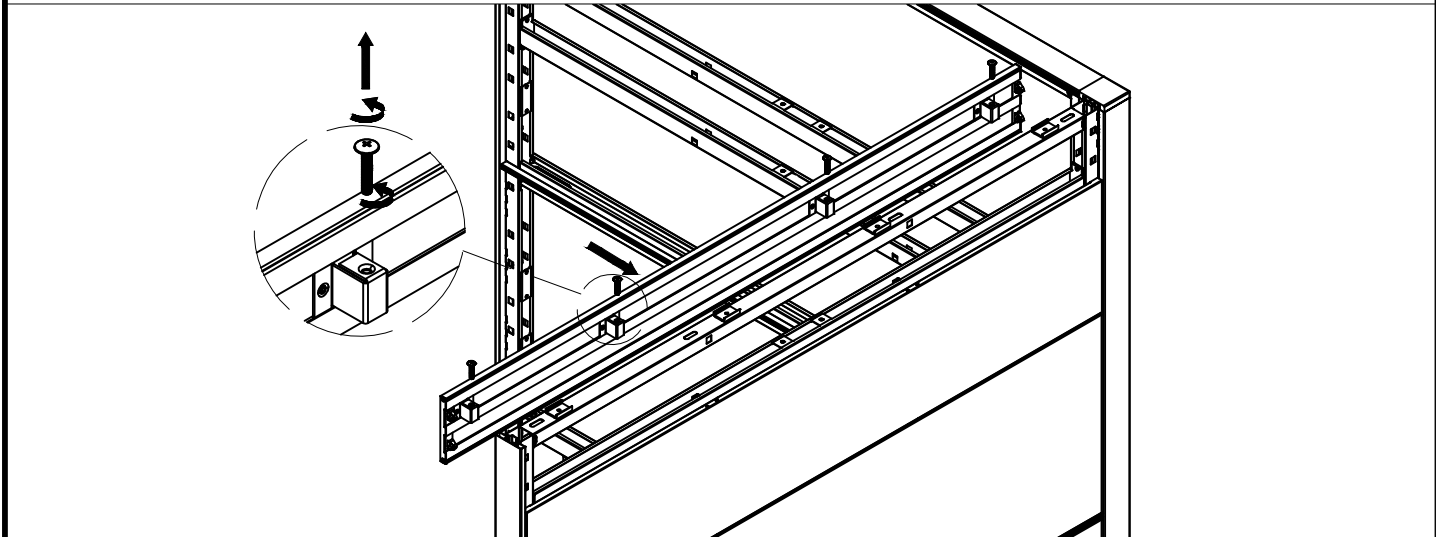
2016-01.08 :- A66 TILE ASSEMBLY (ST/LAM/GLASS/ACCESORY TILE) :-




Sr. No.	2016-01	ASSEMBLY/DISASSEMBLY INSTRUCTION
Issue Date	15.09.16	Description : A66 TILE ASSEMBLY (ST/LAM/GLASS/ACCESORY TILE)
Rev. Date	29.11.23	
Rev. No.	1	

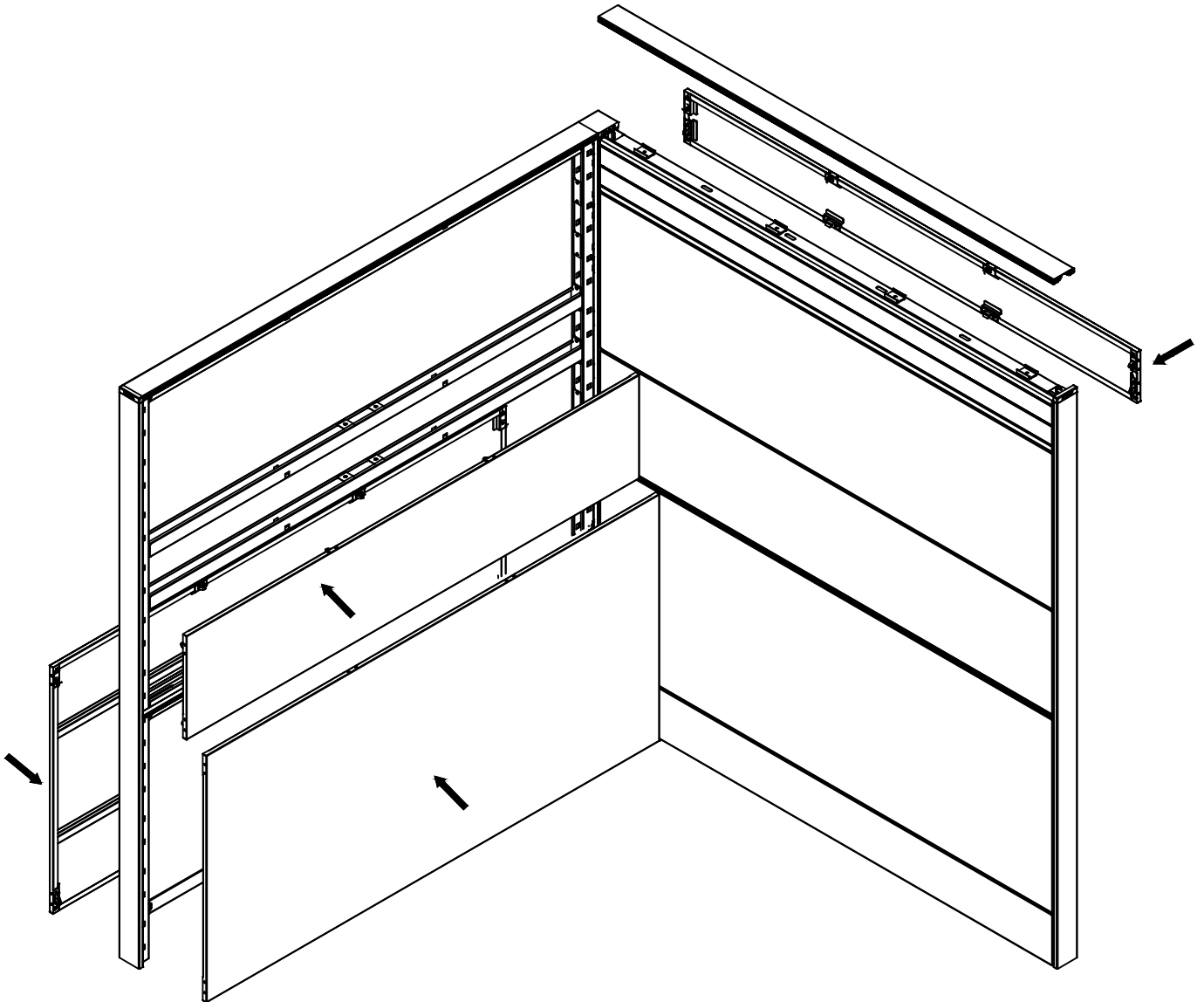



2016-01.08 :- A66 TILE ASSEMBLY (ST/LAM/GLASS/ACCESORY TILE) :-



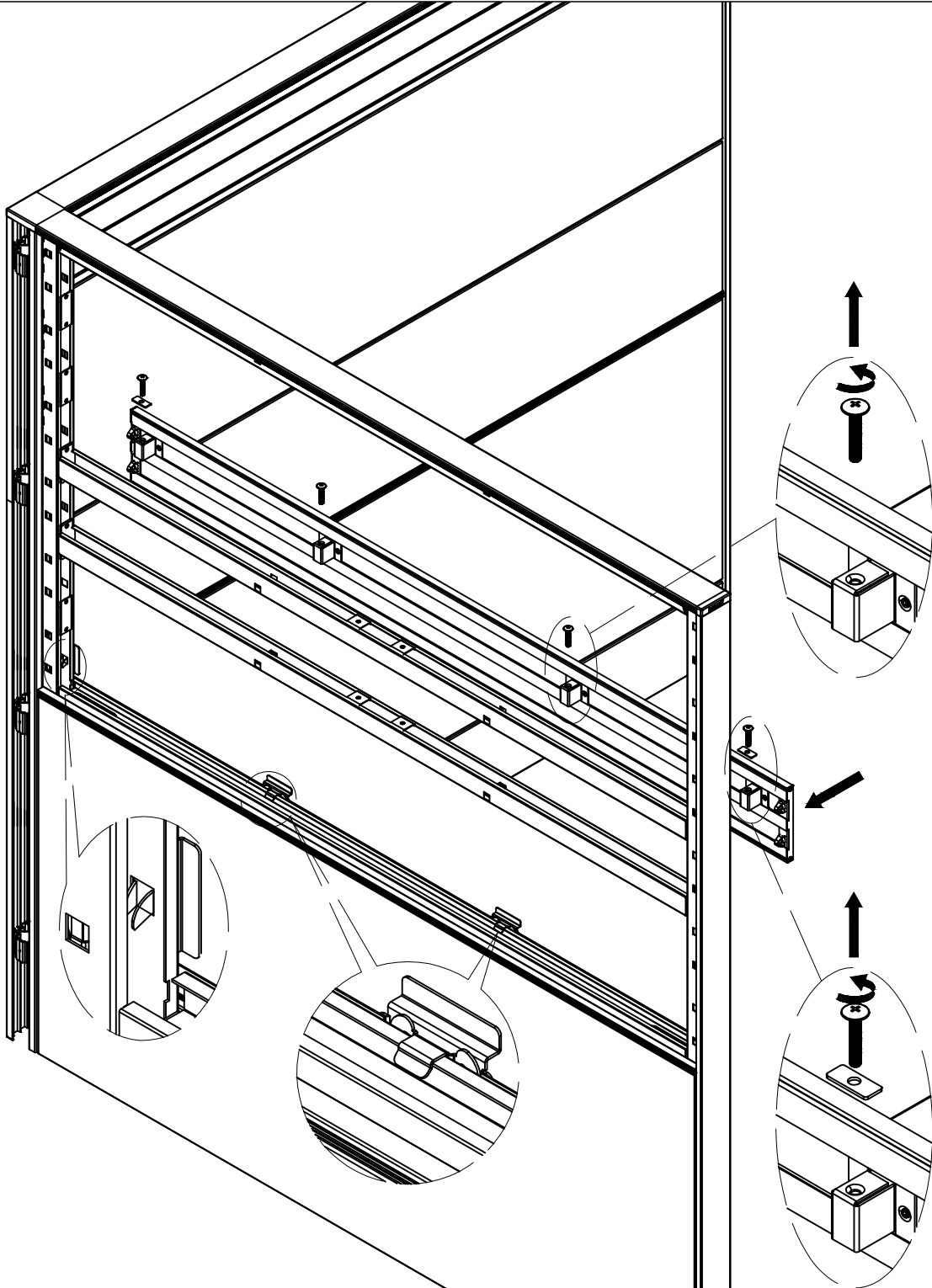
Sr. No.	2016-01	ASSEMBLY/DISASSEMBLY INSTRUCTION	
Issue Date	15.09.16	Description : A66 TILE ASSEMBLY (ST/LAM/GLASS/ACCESORY TILE)	
Rev. Date	29.11.23		
Rev. No.	1		


2016-01.08 :- A66 TILE ASSEMBLY (ST/LAM/GLASS/ACCESORY TILE) :-



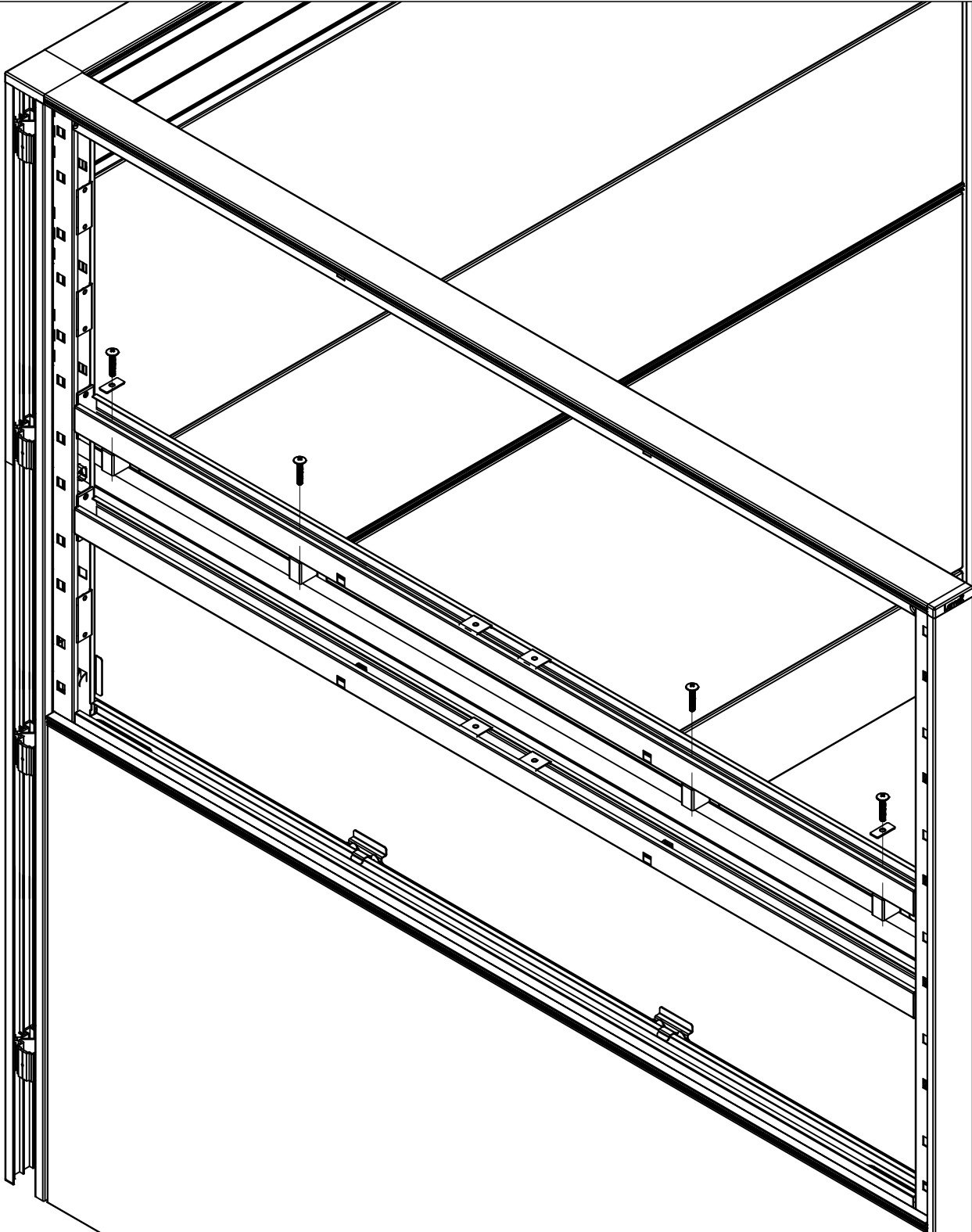
Sr. No.	2016-01	ASSEMBLY/DISASSEMBLY INSTRUCTION	
Issue Date	15.09.16	Description : A66 TILE ASSEMBLY (ST/LAM/GLASS/ACCESORY TILE)	
Rev. Date	29.11.23		
Rev. No.	1		

2016-01.08 :- A66 TILE ASSEMBLY (ST/LAM/GLASS/ACCESORY TILE) :-



Sr. No.	2016-01	ASSEMBLY/DISASSEMBLY INSTRUCTION	
Issue Date	15.09.16	Description : A66 TILE ASSEMBLY (ST/LAM/GLASS/ACCESORY TILE)	
Rev. Date	29.11.23		
Rev. No.	1		

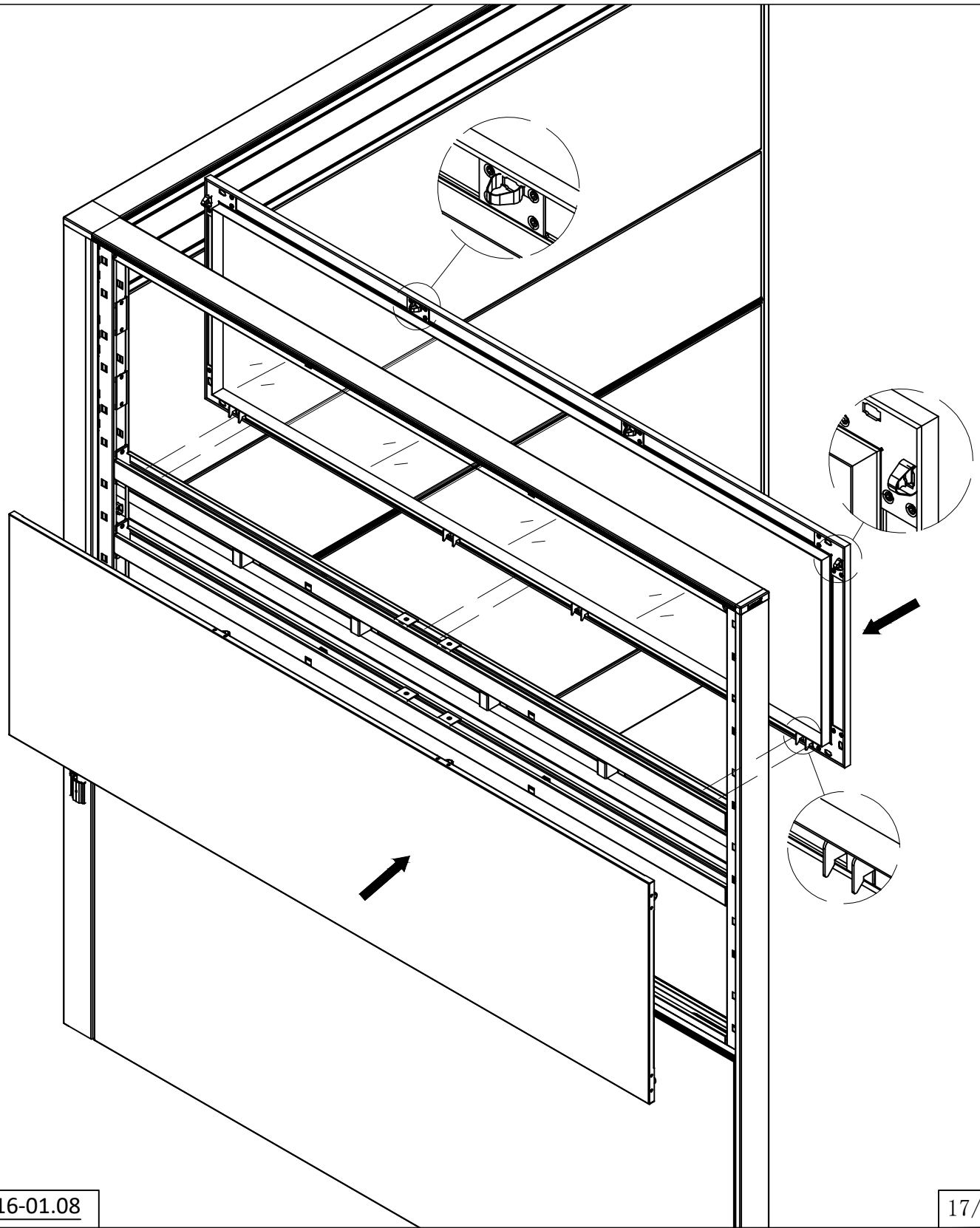
2016-01.08 :- A66 TILE ASSEMBLY (ST/LAM/GLASS/ACCESORY TILE) :-




Sr. No.	2016-01	ASSEMBLY/DISASSEMBLY INSTRUCTION
Issue Date	15.09.16	Description : A66 TILE ASSEMBLY (ST/LAM/GLASS/ACCESORY TILE)
Rev. Date	29.11.23	
Rev. No.	1	

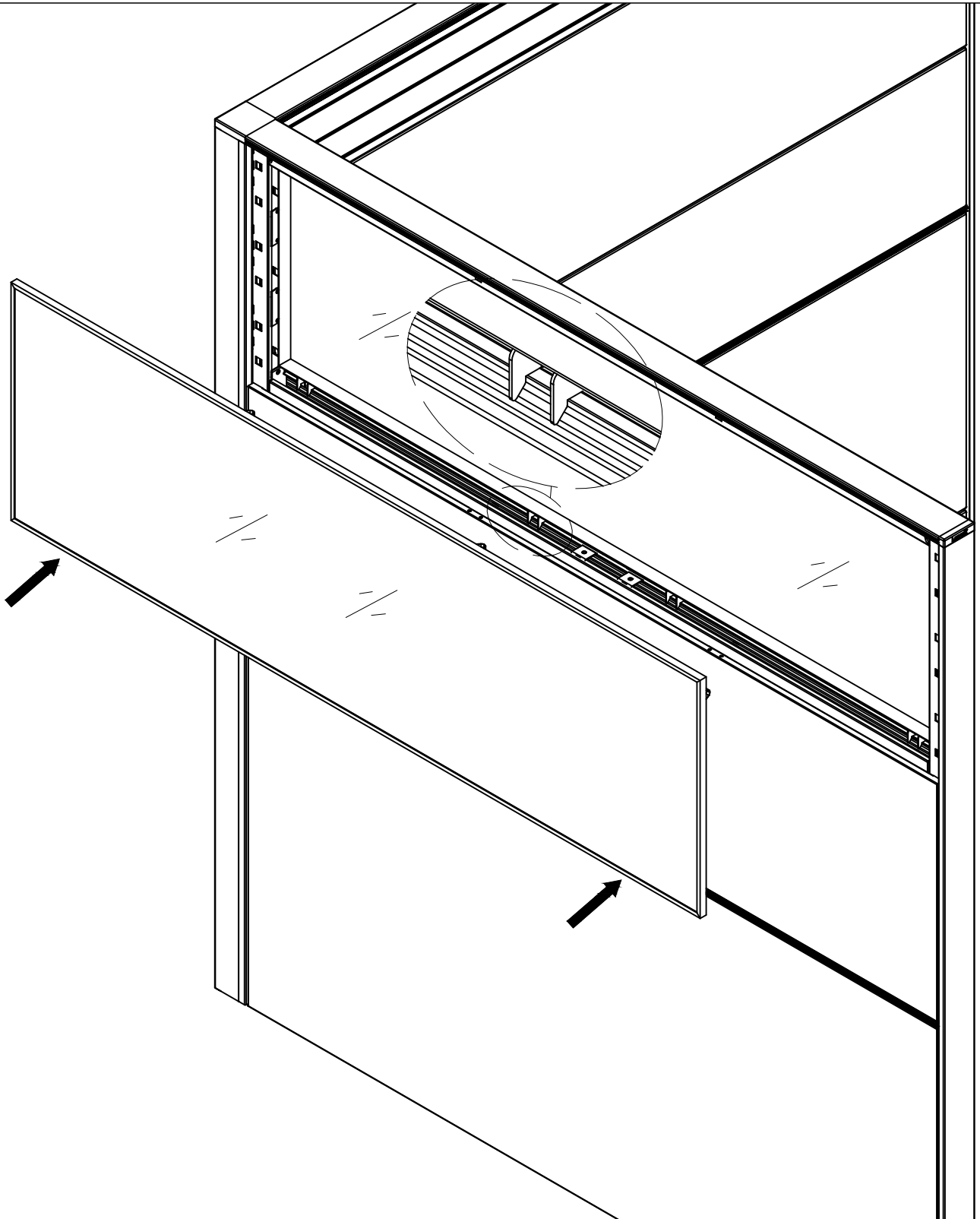



2016-01.08 :- A66 TILE ASSEMBLY (ST/LAM/GLASS/ACCESORY TILE) :-



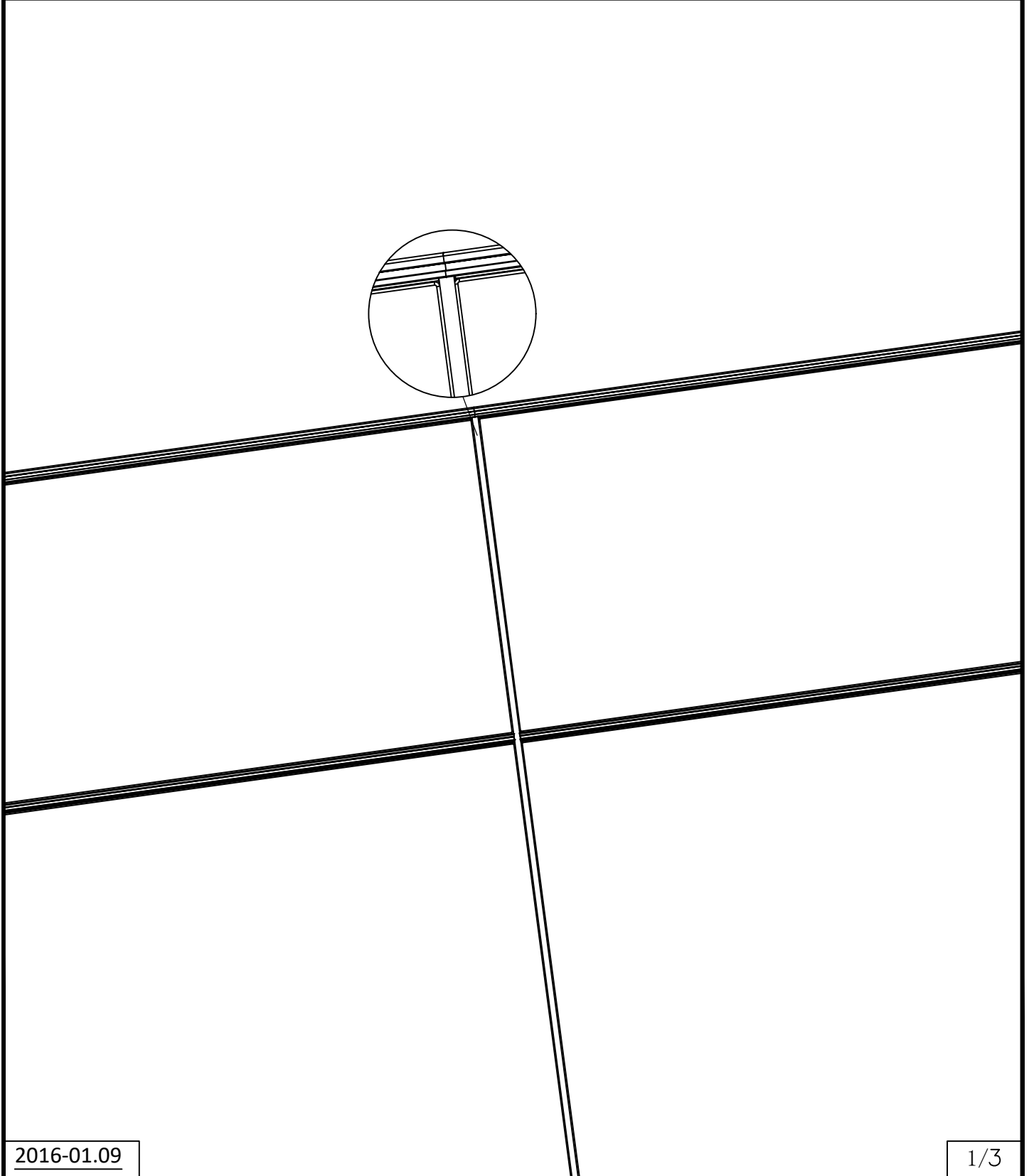
Sr. No.	2016-01	ASSEMBLY/DISASSEMBLY INSTRUCTION	
Issue Date	15.09.16	Description : A66 TILE ASSEMBLY (ST/LAM/GLASS/ACCESORY TILE)	
Rev. Date	29.11.23		
Rev. No.	1		

2016-01.08 :- A66 TILE ASSEMBLY (ST/LAM/GLASS/ACCESORY TILE) :-



Sr. No.	2016-01	ASSEMBLY/DISASSEMBLY INSTRUCTION	
Issue Date	15.09.16	Description : A66 GAP FILLER (SINGLE SIDE/DOUBLE SIDE)	
Rev. Date	29.11.23		
Rev. No.	1		

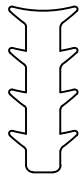
2016-01.09 :- A66 GAP FILLER (SINGLE SIDE/DOUBLE SIDE) :-



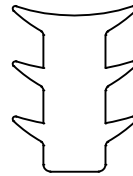
Sr. No.	2016-01	ASSEMBLY/DISASSEMBLY INSTRUCTION
Issue Date	15.09.16	Description : A66 GAP FILLER (SINGLE SIDE/DOUBLE SIDE)
Rev. Date	29.11.23	
Rev. No.	1	



Part list -

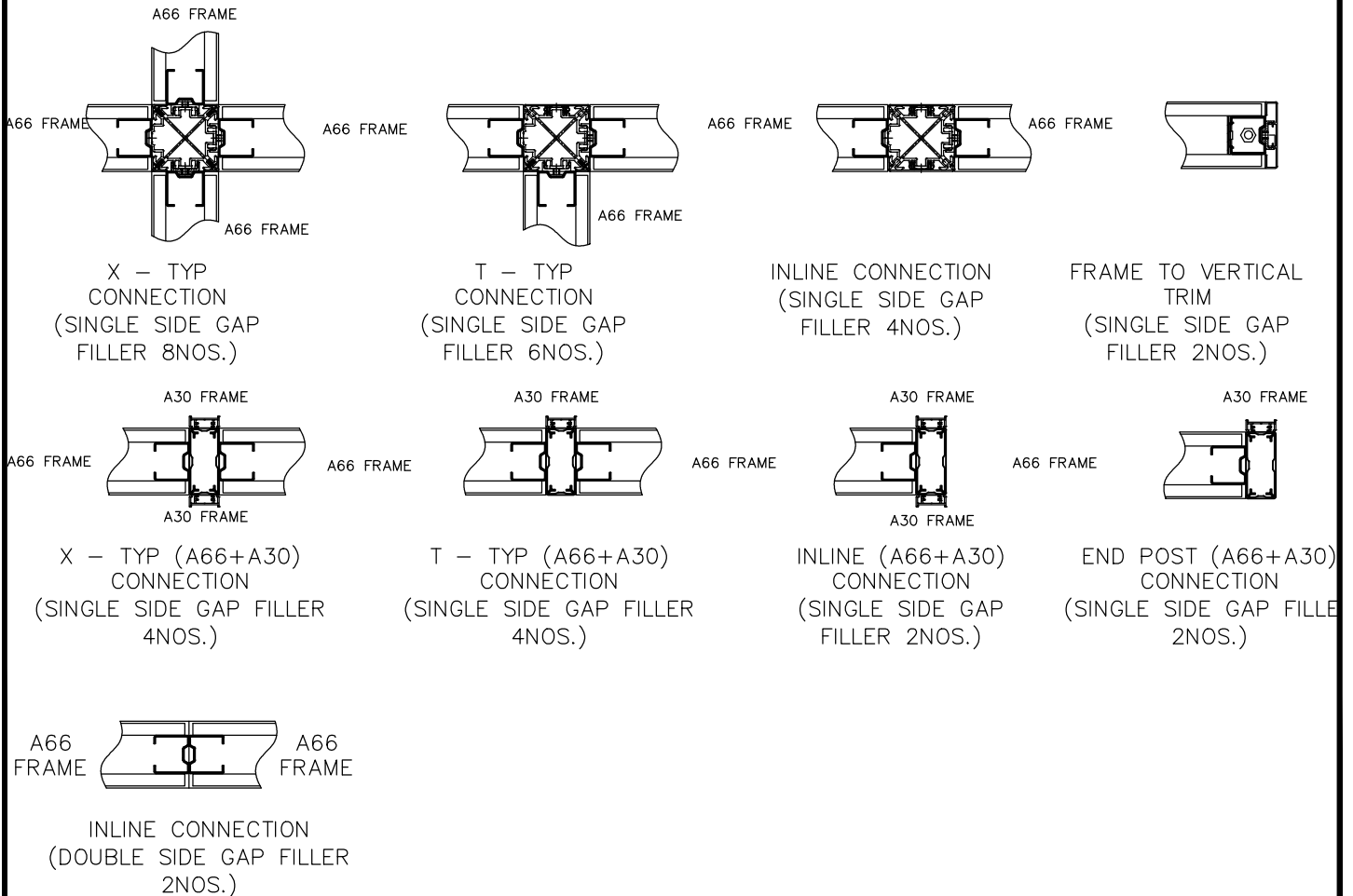


SINGLE SIDE VERTICAL
GAP FILLER



DOUBLE SIDE VERTICAL
GAP FILLER

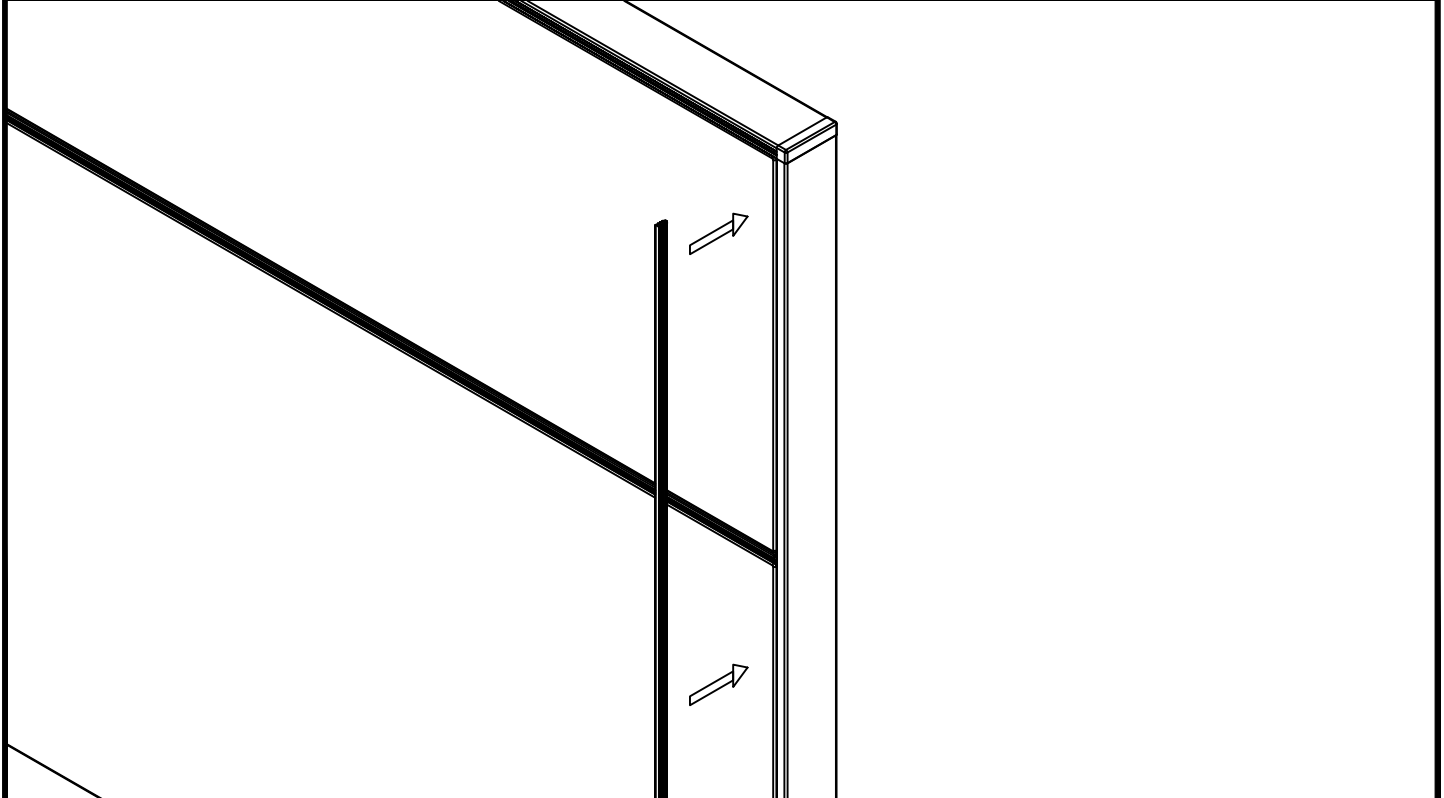
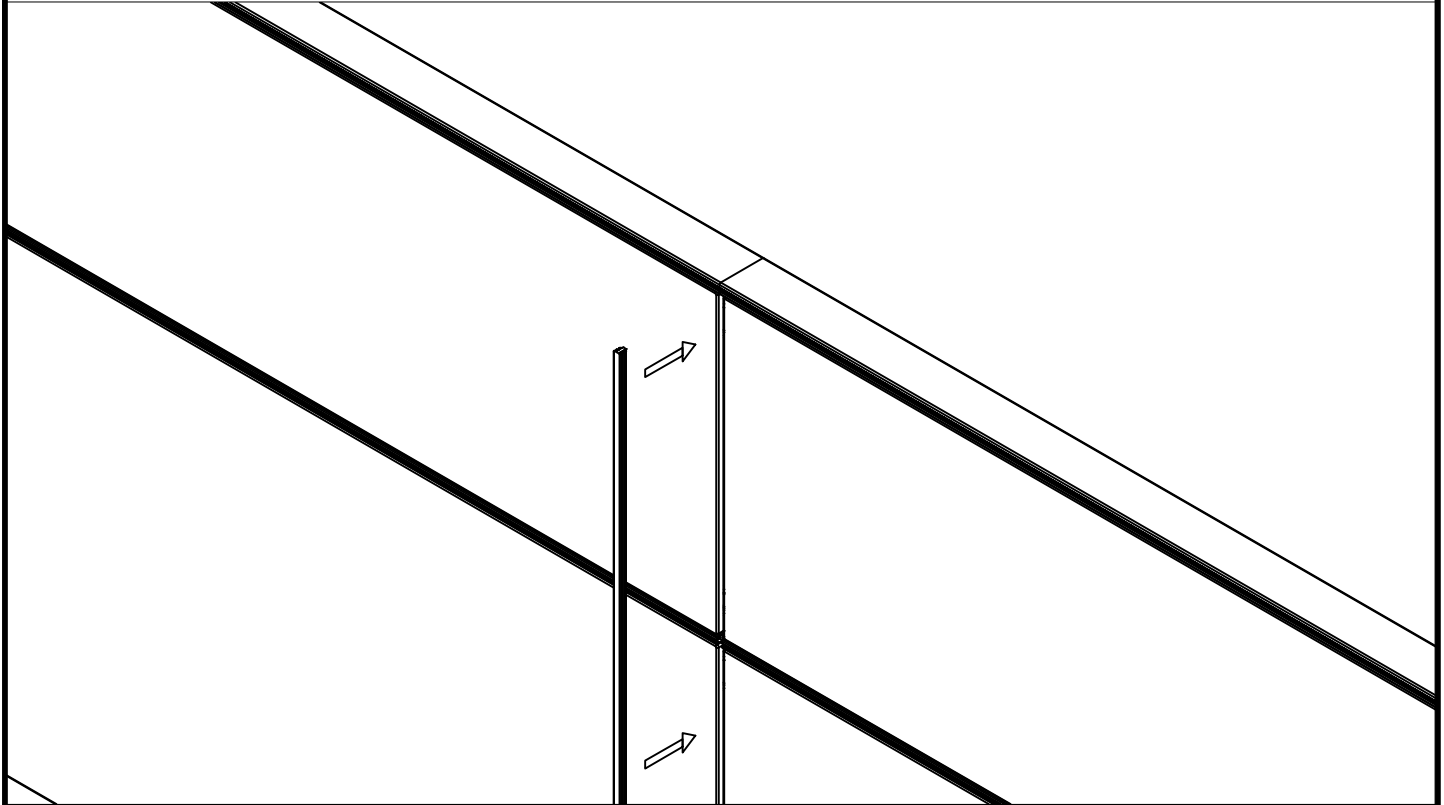
SINGLE/DOUBLE VERTICAL GAP FILLER




Sr. No.	2016-01	ASSEMBLY/DISASSEMBLY INSTRUCTION
Issue Date	15.09.16	Description : A66 GAP FILLER (SINGLE SIDE/DOUBLE SIDE)
Rev. Date	29.11.23	
Rev. No.	1	

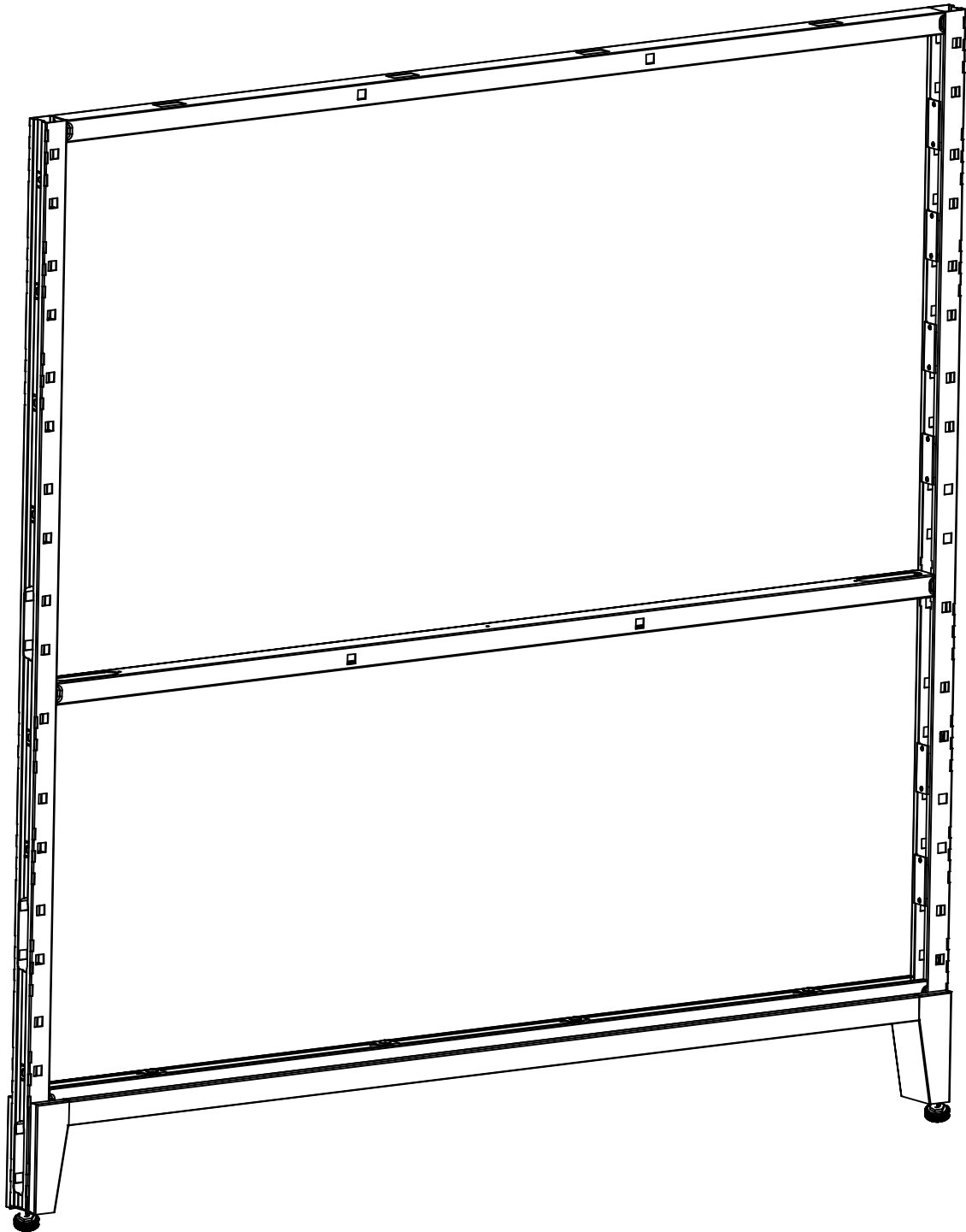



2016-01.09 :- A66 GAP FILLER (SINGLE SIDE/DOUBLE SIDE) :-



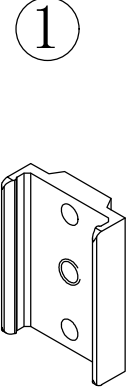

Sr. No.	2016-01	ASSEMBLY/DISASSEMBLY INSTRUCTION	
Issue Date	15.09.16	Description : A66 FOOTED PANEL ASSEMBLY	
Rev. Date	29.11.23		
Rev. No.	1		

2016-01.10 :- A66 FOOTED PANEL ASSEMBLY :-

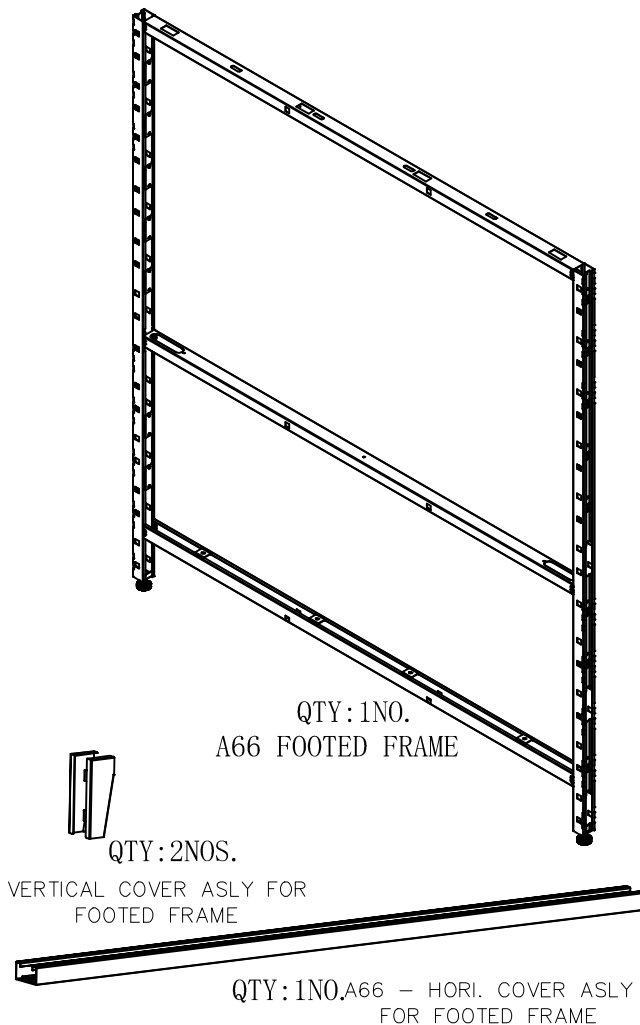



Sr. No.	2016-01	ASSEMBLY/DISASSEMBLY INSTRUCTION	
Issue Date	15.09.16	Description : A66 FOOTED PANEL ASSEMBLY	
Rev. Date	29.11.23		
Rev. No.	1		

Part list –

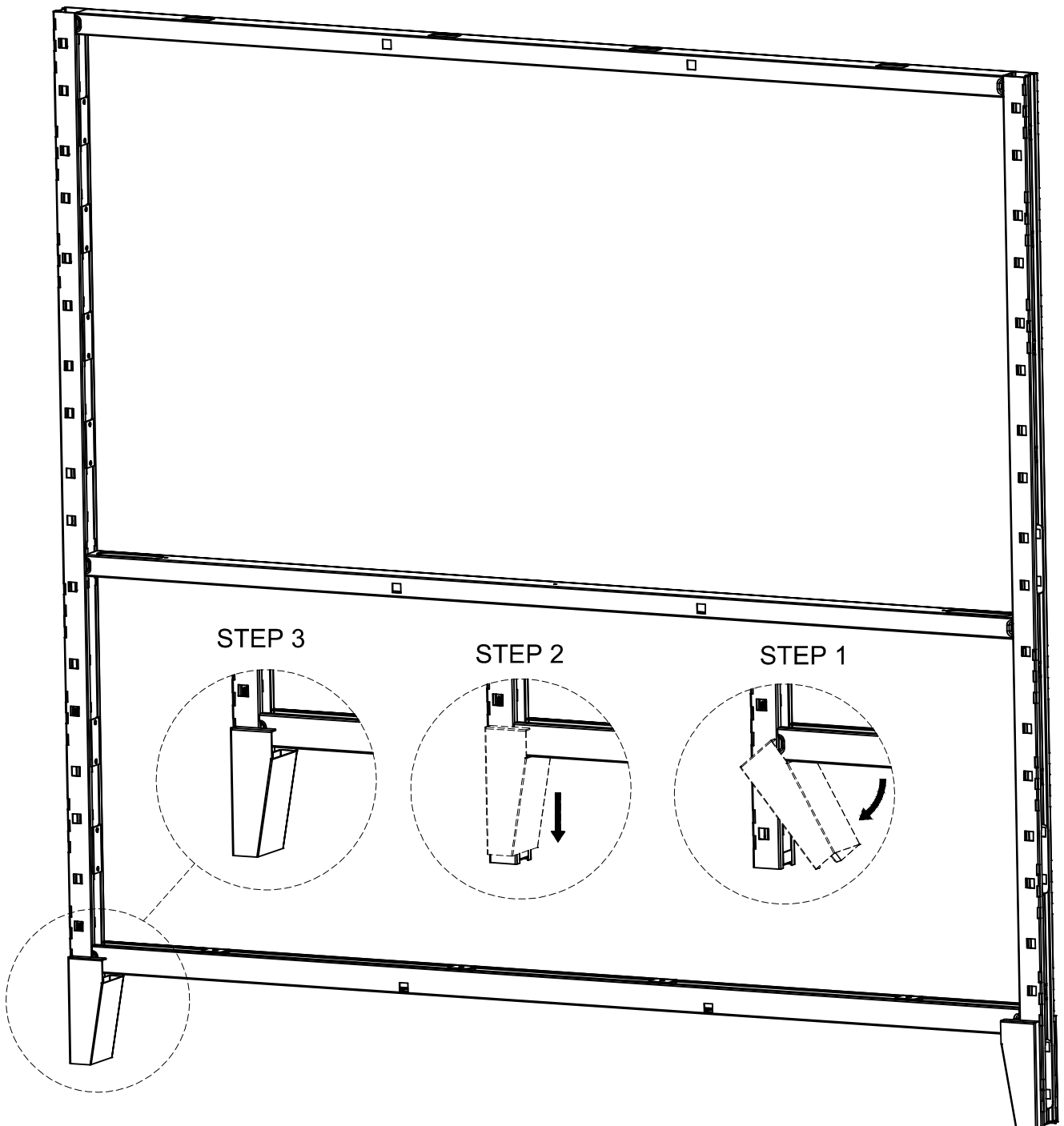
			
	<p>①</p> <p>A66 MOULDED CLIP FOR TOP CAP</p>	<p>②</p> <p>PAN PHILLIPS HEAD M/C SCREW M6 X 40</p>	


Component –



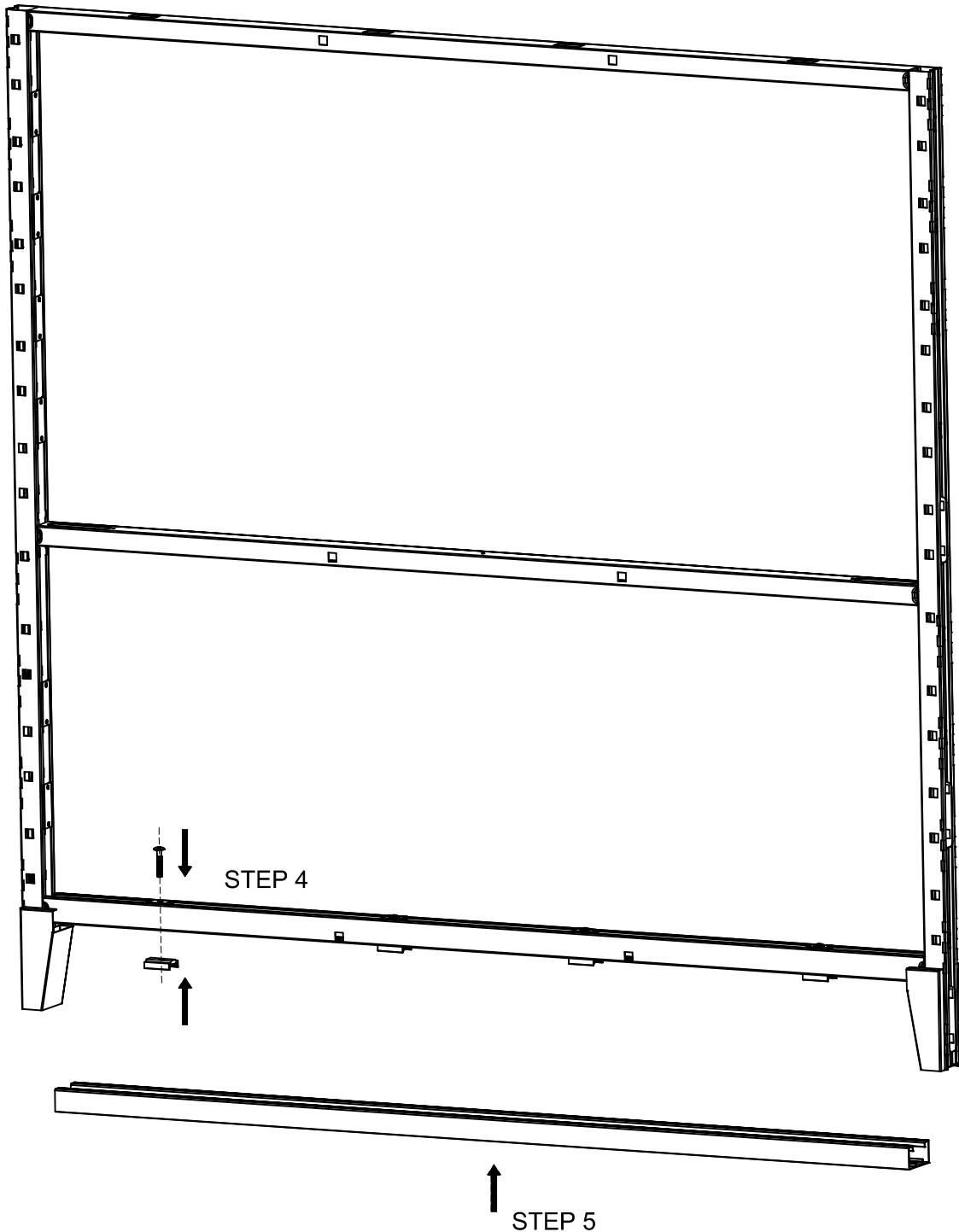
Sr. No.	2016-01	ASSEMBLY/DISASSEMBLY INSTRUCTION	
Issue Date	15.09.16	Description : A66 FOOTED PANEL ASSEMBLY	
Rev. Date	29.11.23		
Rev. No.	1		


2016-01.10 :- A66 FOOTED PANEL ASSEMBLY :-



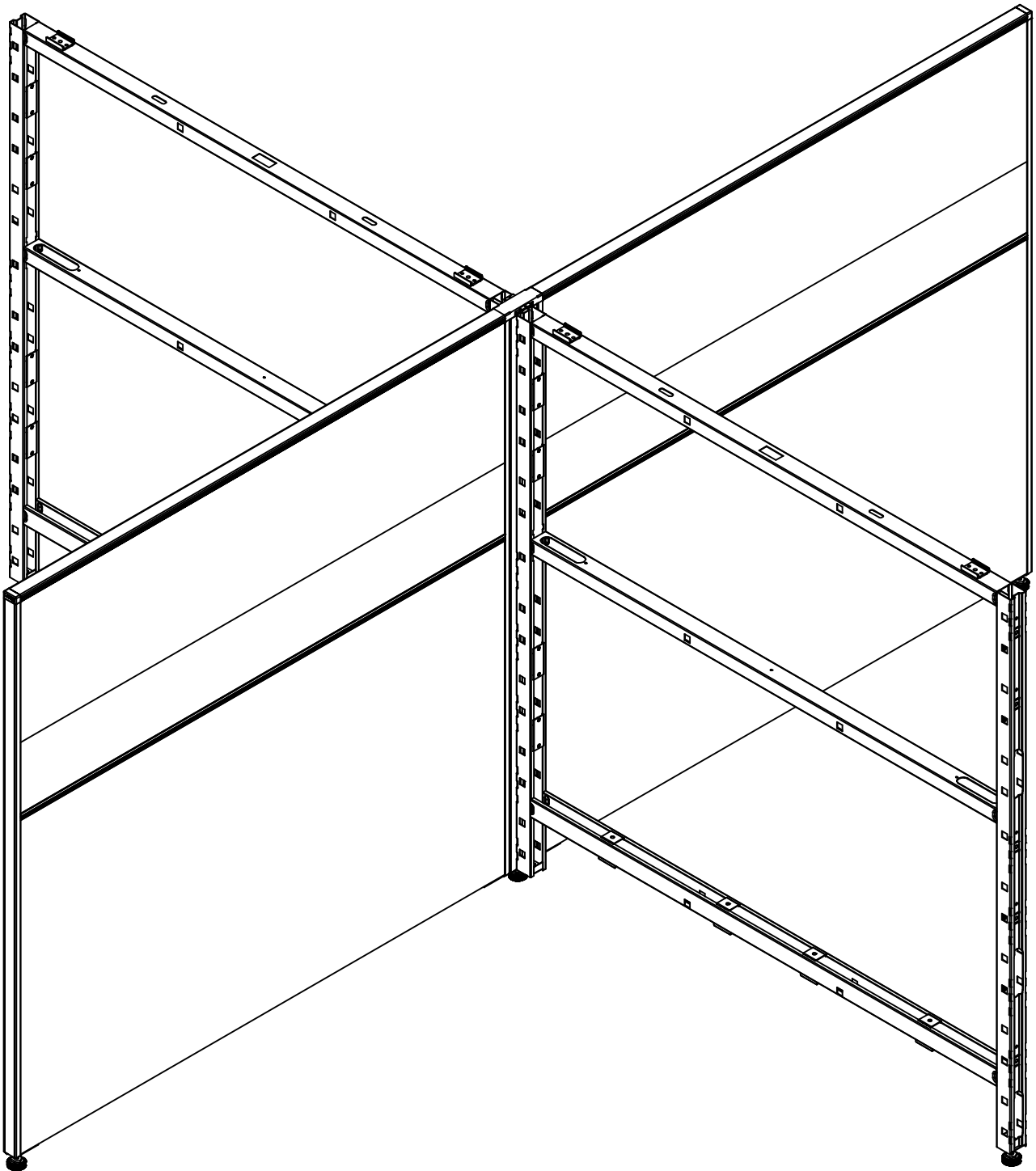
Sr. No.	2016-01	ASSEMBLY/DISASSEMBLY INSTRUCTION	
Issue Date	15.09.16	Description : A66 FOOTED PANEL ASSEMBLY	
Rev. Date	29.11.23		
Rev. No.	1		


2016-01.10 :- A66 FOOTED PANEL ASSEMBLY :-



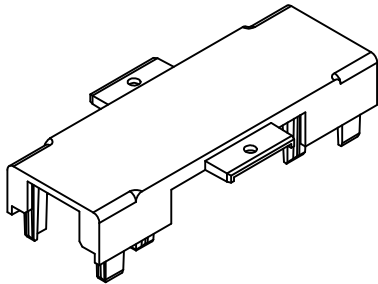
Sr. No.	2016-01	ASSEMBLY/DISASSEMBLY INSTRUCTION	
Issue Date	15.09.16	Description : A66+A30 (4-WAY) X TYPE FRAME CONFIGURATION	
Rev. Date	29.11.23		
Rev. No.	1		

2016-01.11 :- A66+A30 (4-WAY) X TYPE FRAME CONFIGURATION :-

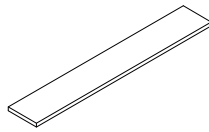


Sr. No.	2016-01	ASSEMBLY/DISASSEMBLY INSTRUCTION	
Issue Date	15.09.16	Description : A66+A30 (4-WAY) X TYPE FRAME CONFIGURATION	
Rev. Date	29.11.23		
Rev. No.	1		

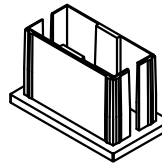
Part list –



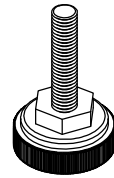
A66+A30 H/S X TYP (4 WAY) POST CAP (1 NO.)



A3 - PVC FILLER FOR POST (AS PER BOM)



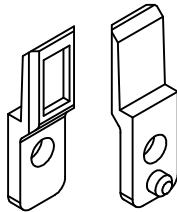
A66- H/S POST LEVELLER HOLDER (QTY - 1NO.)



RECTA M8 LEVELER (QTY - 1NO.)



PHILLIPS PAN HD M/C SCREW M6X8 (FOR QTY REREF)



A5 - PANEL TO POST FIXING DIE CAST CLIP (FOR QTY REREF)



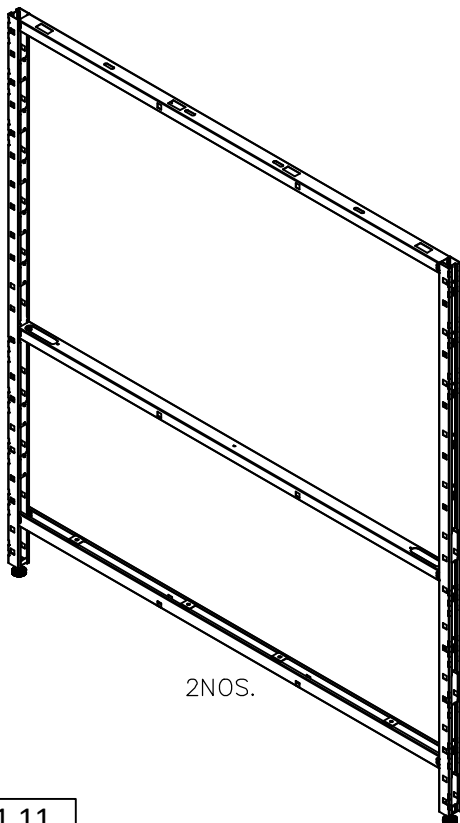
A50+A30 - H/S POST TO PNL FIXING PLATE (FOR QTY REREF TABLE)



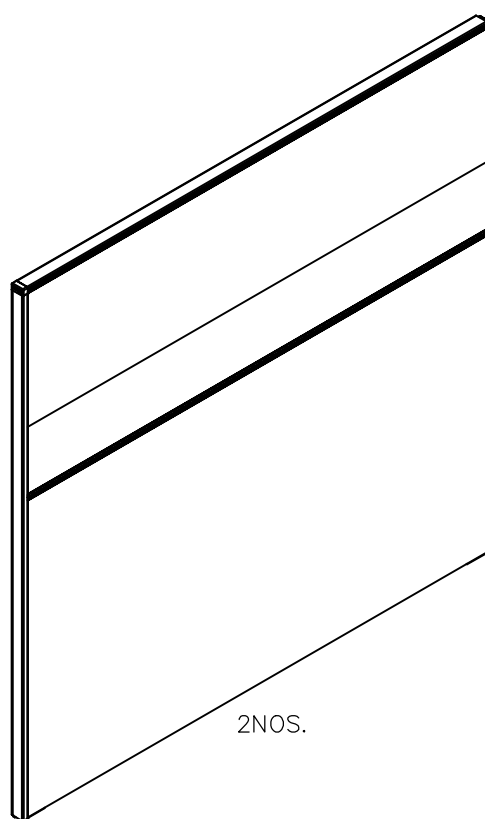
GRUB SCREW M6 X 8 (FOR QTY REREF TABLE)

POST NOM.	HT	QTY
9H	906	06 NOS.
10H	1056	06 NOS.
12H	1206	06 NOS.
15H	1506	08 NOS.
16H	1656	08 NOS.

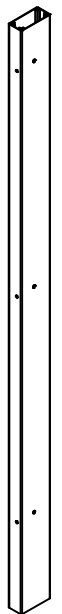
Component –




2NOS.



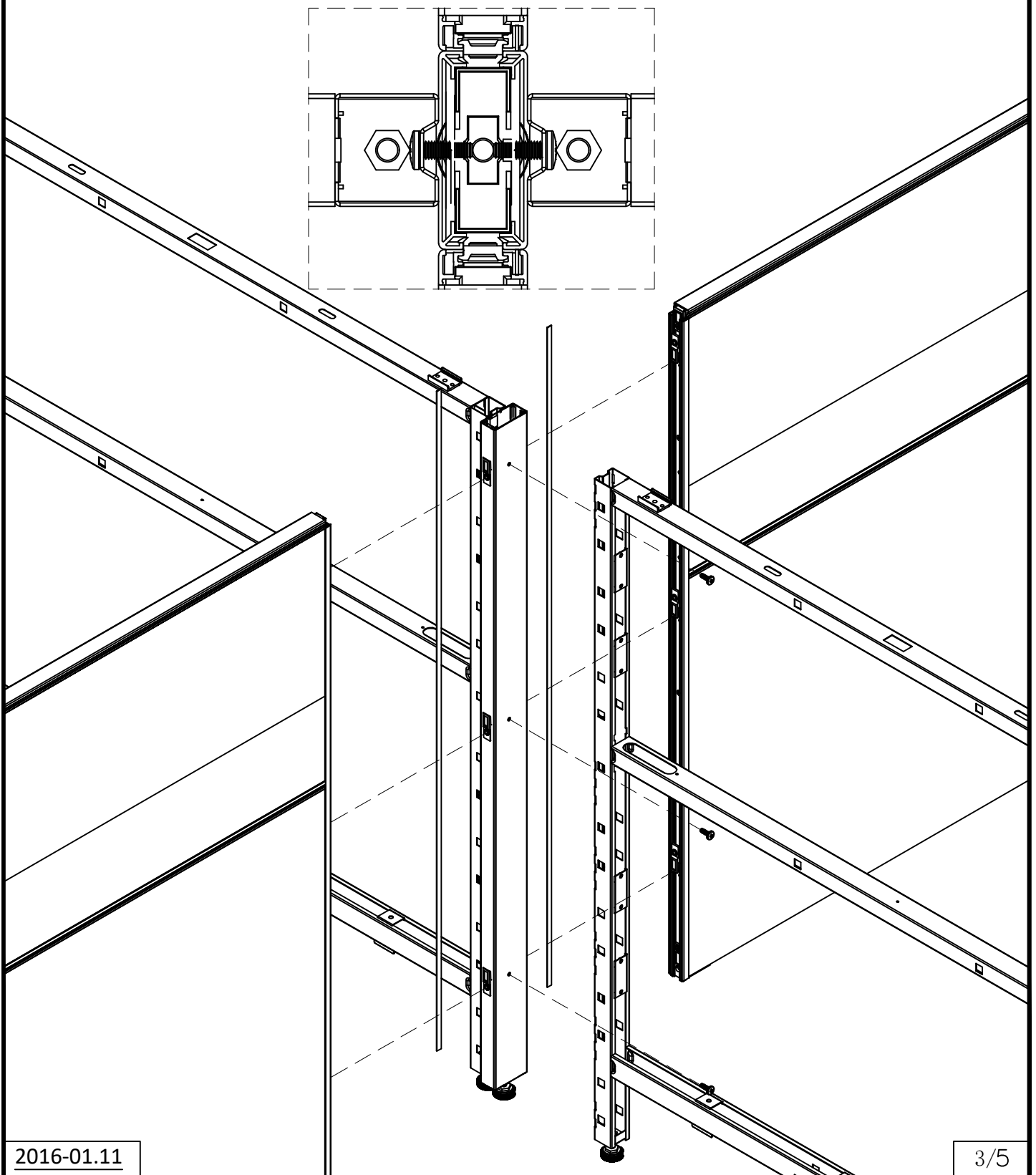
2NOS.




1NO.

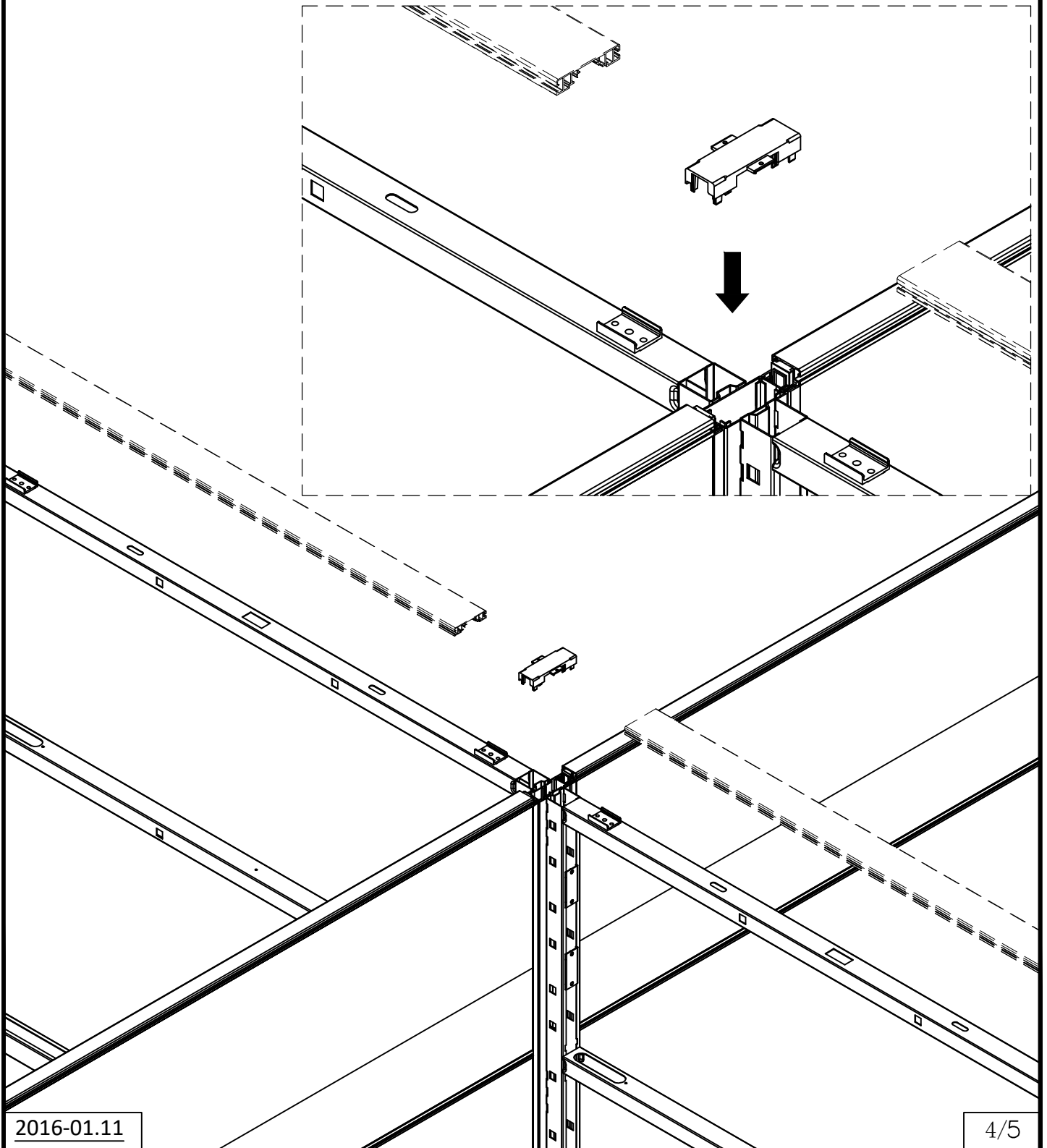
Sr. No.	2016-01	ASSEMBLY/DISASSEMBLY INSTRUCTION	
Issue Date	15.09.16	Description : A66+A30 (4-WAY) X TYPE FRAME CONFIGURATION	
Rev. Date	29.11.23		
Rev. No.	1		

2016-01.11 :- A66+A30 (4-WAY) X TYPE FRAME CONFIGURATION :-



Sr. No.	2016-01	ASSEMBLY/DISASSEMBLY INSTRUCTION	
Issue Date	15.09.16	Description : A66+A30 (4-WAY) X TYPE FRAME CONFIGURATION	
Rev. Date	29.11.23		
Rev. No.	1		

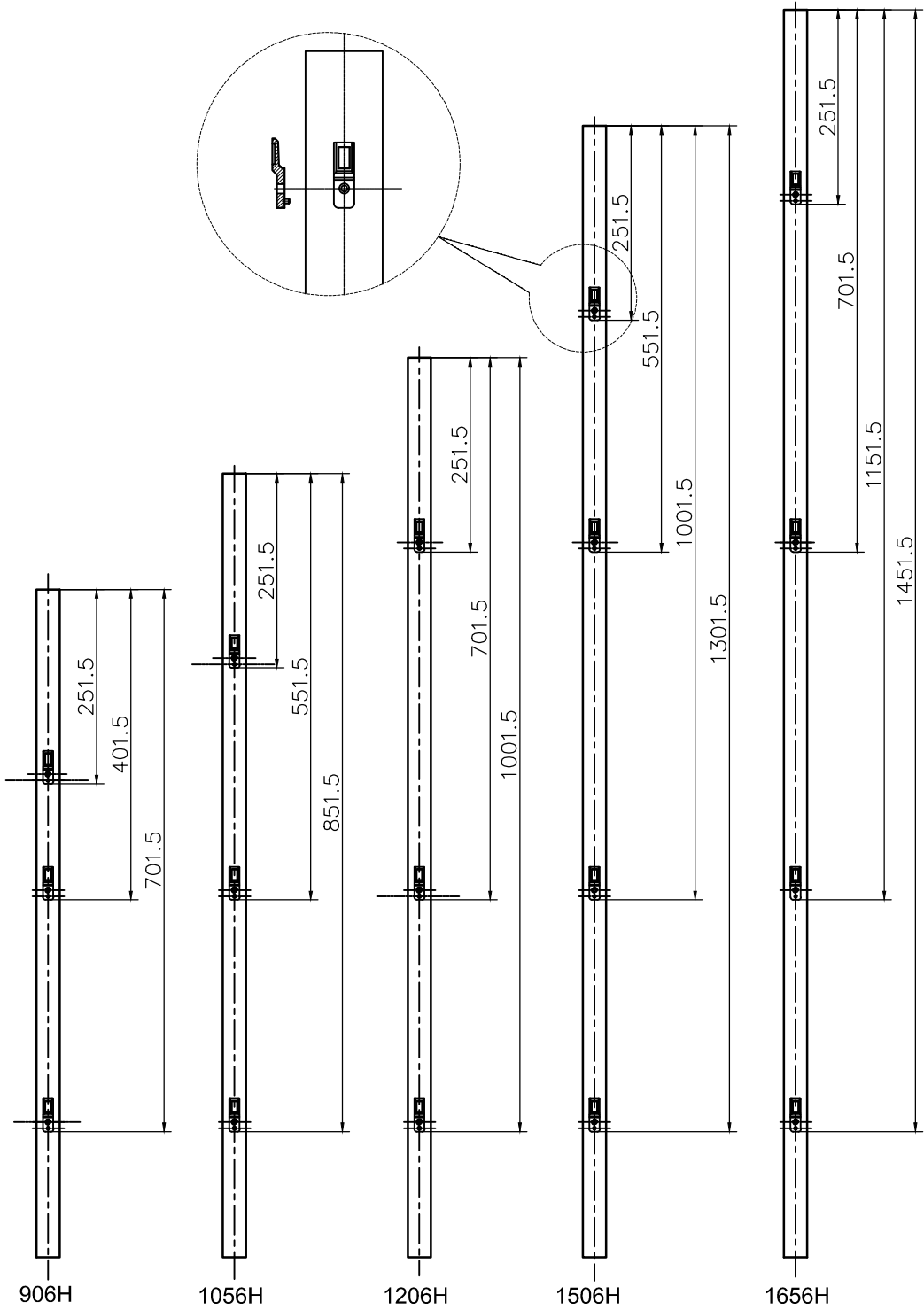
2016-01.11 :- A66+A30 (4-WAY) X TYPE FRAME CONFIGURATION :-




Sr. No.	2016-01	ASSEMBLY/DISASSEMBLY INSTRUCTION
Issue Date	15.09.16	Description : A66+A30 (4-WAY) X TYPE FRAME CONFIGURATION
Rev. Date	29.11.23	
Rev. No.	1	



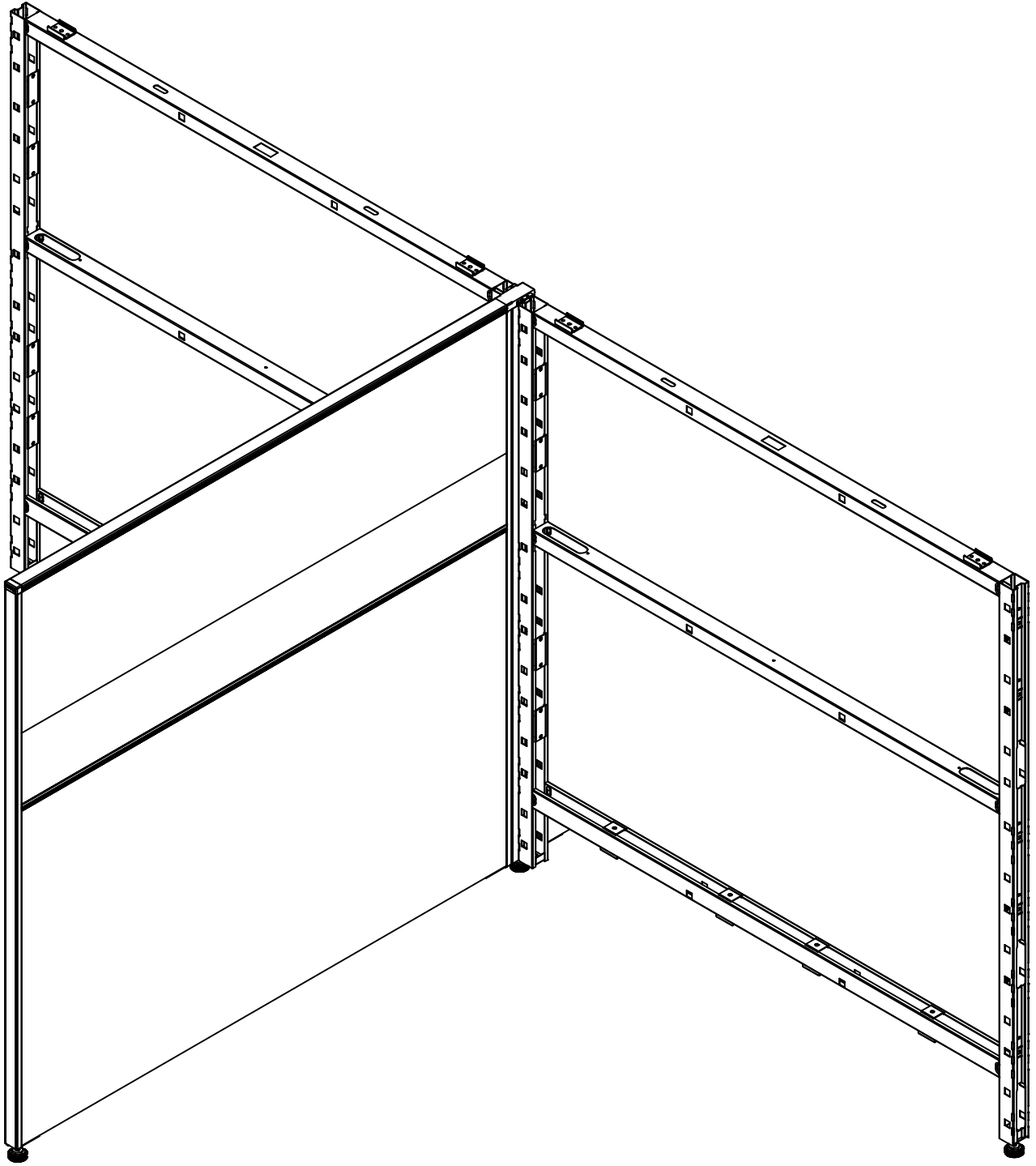
2016-01.11 :- A66+A30 (4-WAY) X TYPE FRAME CONFIGURATION :-




Dimention for A3 – PANEL TO POST FIXING DIE CAST CLIP Ins

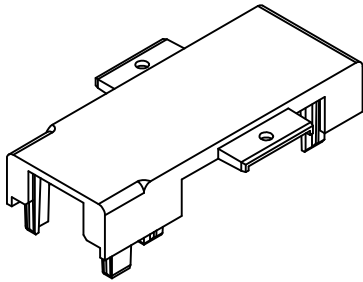
Sr. No.	2016-01	ASSEMBLY/DISASSEMBLY INSTRUCTION	
Issue Date	15.09.16	Description : A66+A30+A66 (3-WAY) T TYPE FRAME CONFIGURATION	
Rev. Date	29.11.23		
Rev. No.	1		

2016-01.12 :- A66+A30+A66 (3-WAY) T TYPE FRAME CONFIGURATION :-

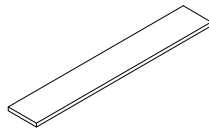


Sr. No.	2016-01	ASSEMBLY/DISASSEMBLY INSTRUCTION	
Issue Date	15.09.16	Description : A66+A30+A66 (3-WAY) T TYPE FRAME CONFIGURATION	
Rev. Date	29.11.23		
Rev. No.	1		

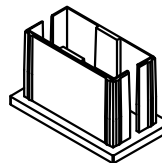
Part list -



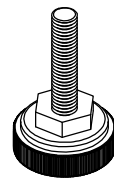
A66+A30+A66 H/S T
TYP (3 WAY) POST CAP
(1 NO.)



A3 - PVC FILLER FOR
POST (AS PER BOM)



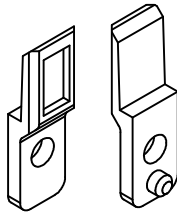
A66- H/S POST
LEVELLER HOLDER
(QTY - 1NO.)



RECTA M8
LEVELER
(QTY - 1NO.)



PHILLIPS PAN HD
M/C SCREW
M6X8
(FOR QTY REREF



A5 - PANEL TO
POST FIXING DIE
CAST CLIP (FOR
QTY REREF



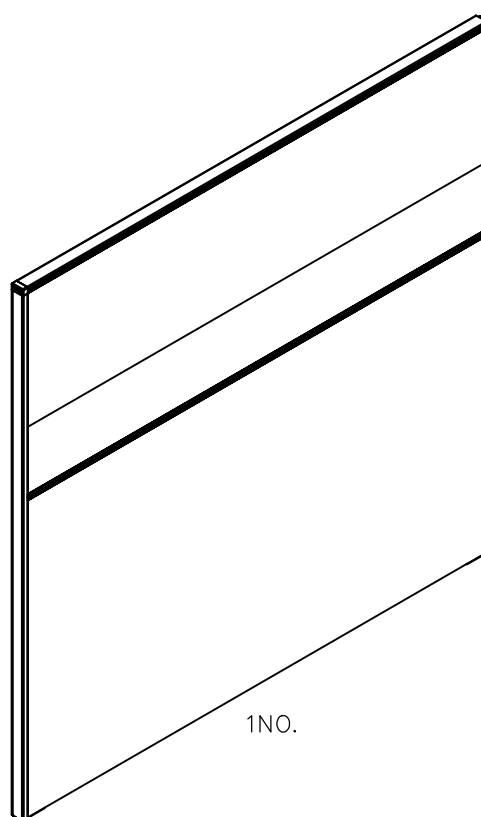
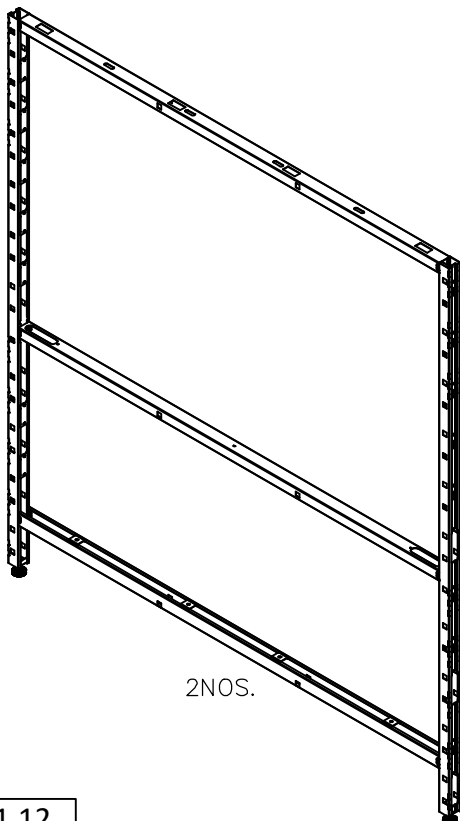
A50+A30 - H/S POST TO
PNL FIXING PLATE
(FOR QTY REREF
TABLE)




GRUB SCREW M6 X 8
(FOR QTY REREF
TABLE)

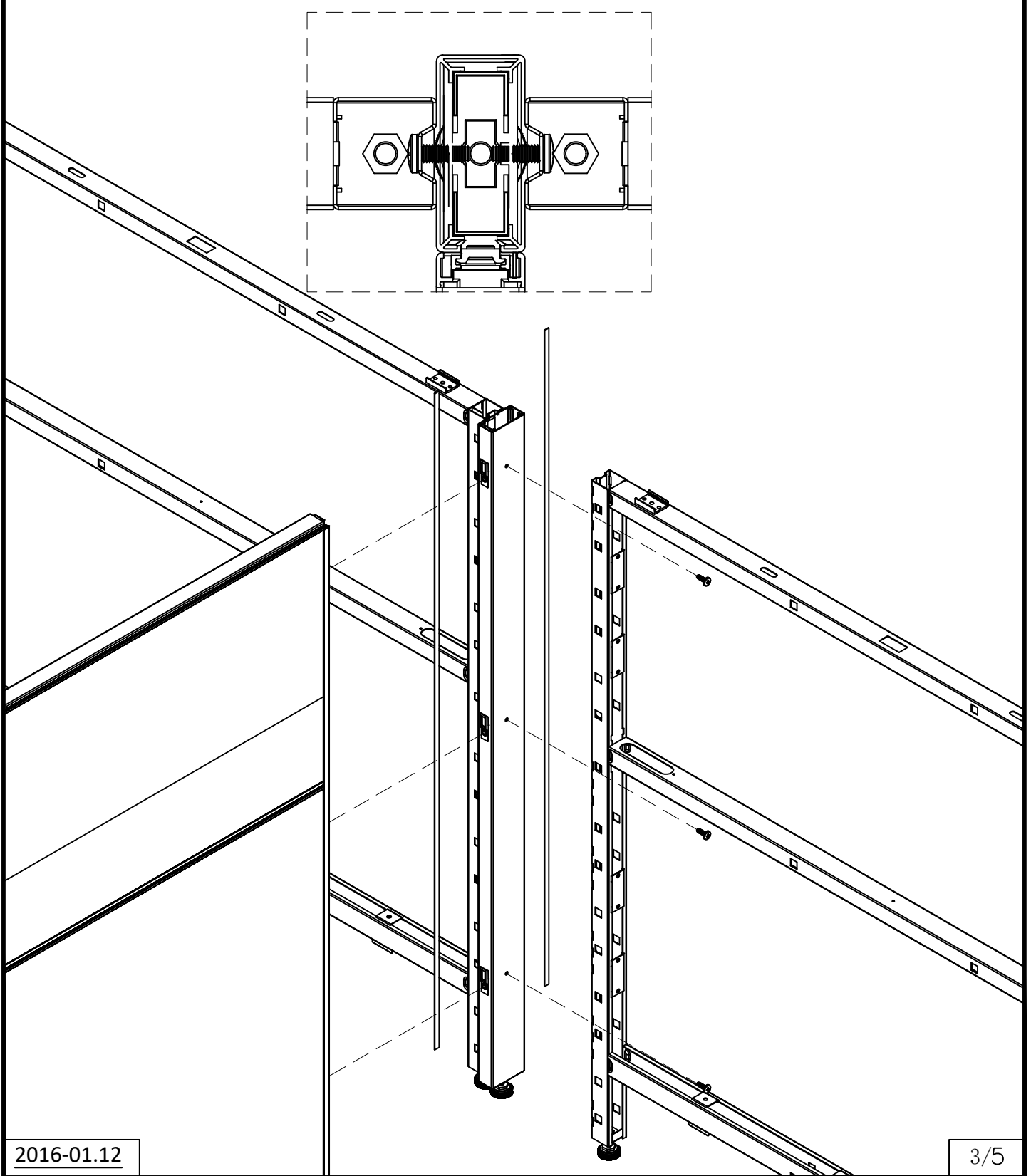
POST NOM. HT		QTY
9H	906	03 NOS.
10H	1056	03 NOS.
12H	1206	03 NOS.
15H	1506	04 NOS.
16H	1656	04 NOS.


Component -



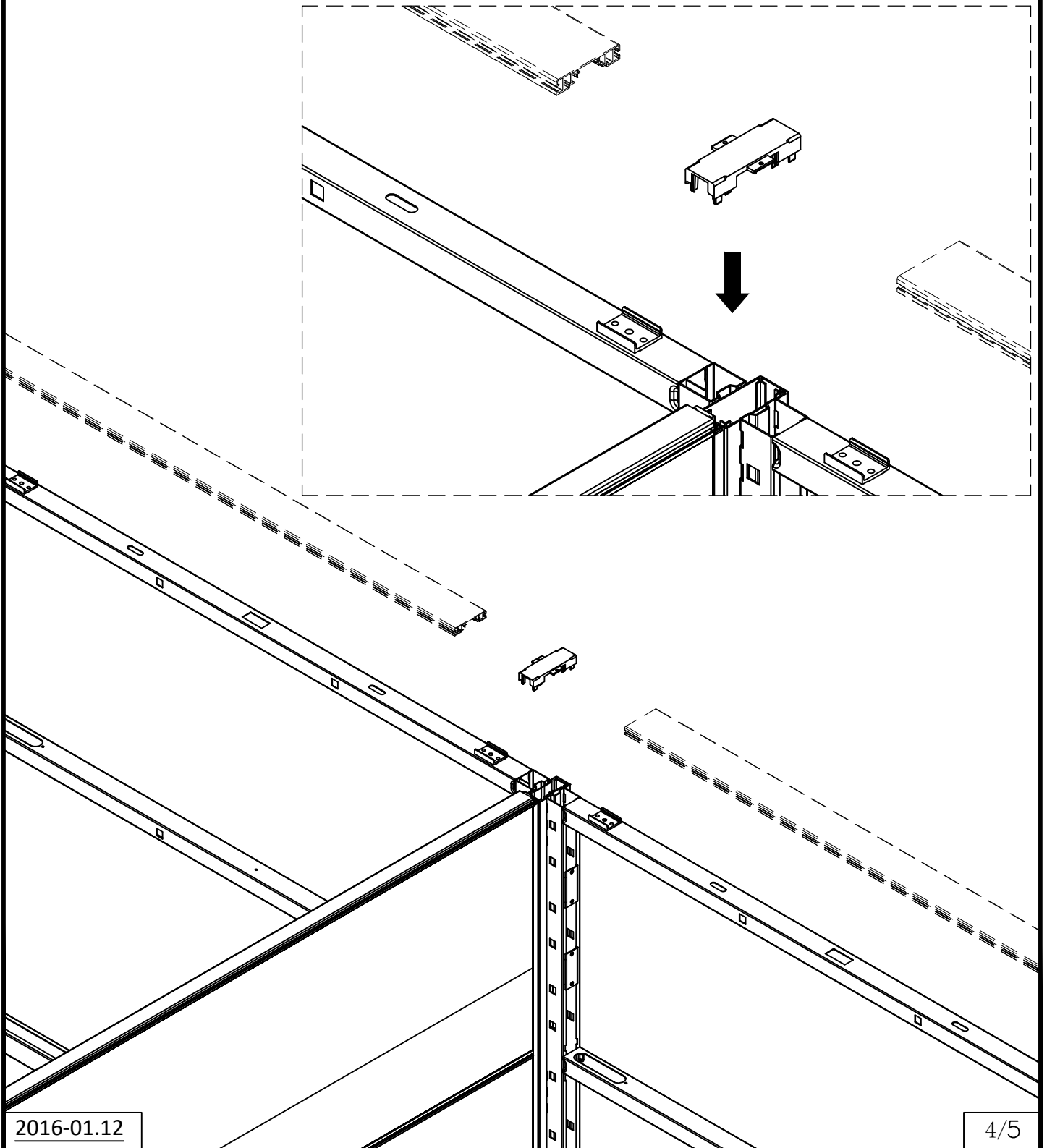
Sr. No.	2016-01	ASSEMBLY/DISASSEMBLY INSTRUCTION	
Issue Date	15.09.16	Description : A66+A30+A66 (3-WAY) T TYPE FRAME CONFIGURATION	
Rev. Date	29.11.23		
Rev. No.	1		

2016-01.12 :- A66+A30+A66 (3-WAY) T TYPE FRAME CONFIGURATION :-



Sr. No.	2016-01	ASSEMBLY/DISASSEMBLY INSTRUCTION	
Issue Date	15.09.16	Description : A66+A30+A66 (3-WAY) T TYPE FRAME CONFIGURATION	
Rev. Date	29.11.23		
Rev. No.	1		

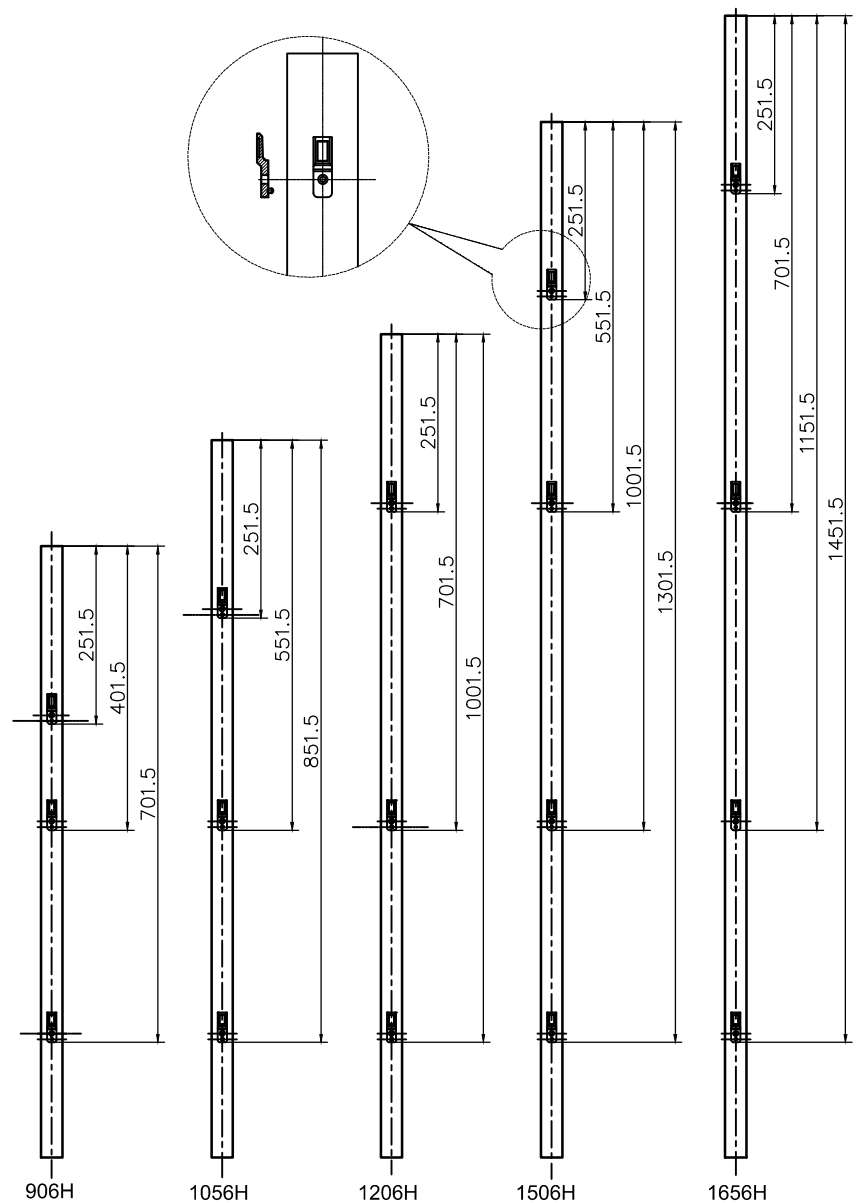
2016-01.12 :- A66+A30+A66 (3-WAY) T TYPE FRAME CONFIGURATION :-




Sr. No.	2016-01	ASSEMBLY/DISASSEMBLY INSTRUCTION
Issue Date	15.09.16	Description : A66+A30+A66 (3-WAY) T TYPE FRAME CONFIGURATION
Rev. Date	29.11.23	
Rev. No.	1	



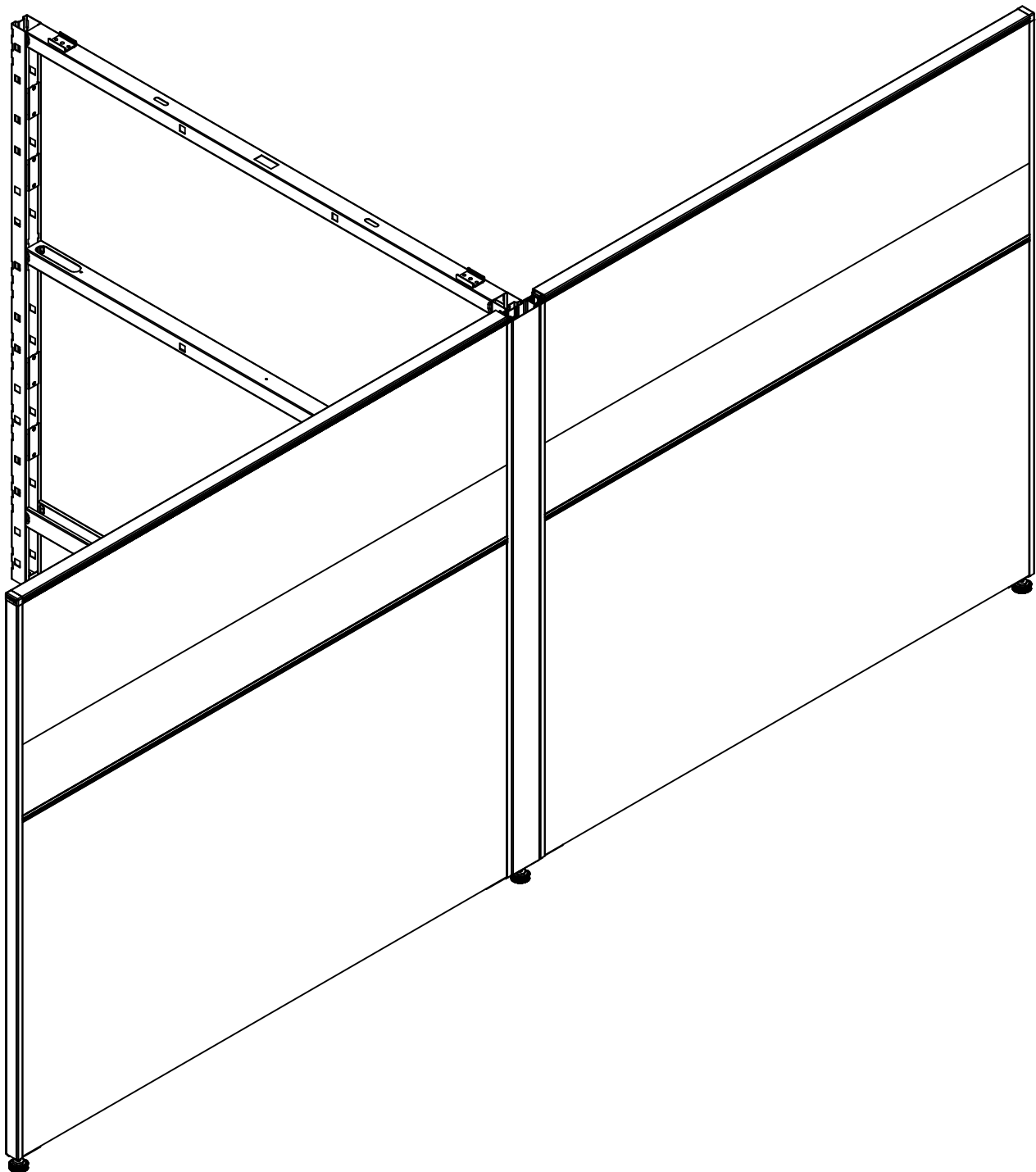
2016-01.12 :- A66+A30+A66 (3-WAY) T TYPE FRAME CONFIGURATION :-



Dimension for A3 – PANEL TO POST FIXING DIE CAST CLIP Installation

Sr. No.	2016-01	ASSEMBLY/DISASSEMBLY INSTRUCTION	
Issue Date	15.09.16	Description : A30+A66+A30 (3-WAY) T TYPE FRAME CONFIGURATION	
Rev. Date	29.11.23		
Rev. No.	1		

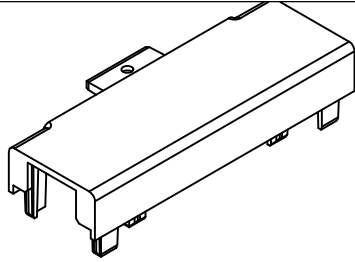
2016-01.13: — A30+A66+A30 (3-WAY) T TYPE FRAME CONFIGURATION :-



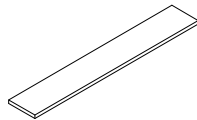
Sr. No.	2016-01	ASSEMBLY/DISASSEMBLY INSTRUCTION
Issue Date	15.09.16	Description : A30+A66+A30 (3-WAY) T TYPE FRAME CONFIGURATION
Rev. Date	29.11.23	
Rev. No.	1	



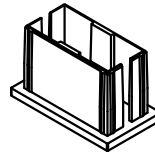
Part list -



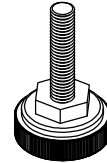
A66+A30+A66 H/S T TYP (3 WAY) POST CAP (1 NO.)



A3 - PVC FILLER FOR POST (AS PER BOM)



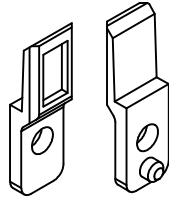
A66- H/S POST LEVELLER HOLDER (QTY - 1NO.)



RECTA M8 LEVELER (QTY - 1NO.)



PHILLIPS PAN HD M/C SCREW M6X8 (FOR QTY REREF



A5 - PANEL TO POST FIXING DIE CAST CLIP (FOR QTY REREF



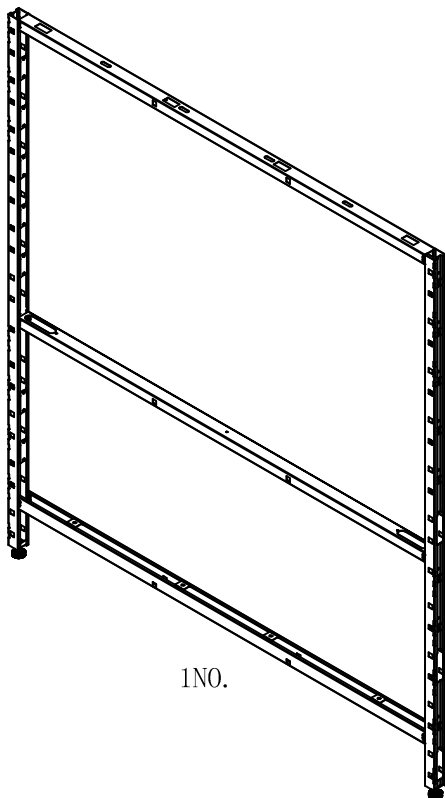
A50+A30 - H/S POST TO PNL FIXING PLATE (FOR QTY REREF TABLE)



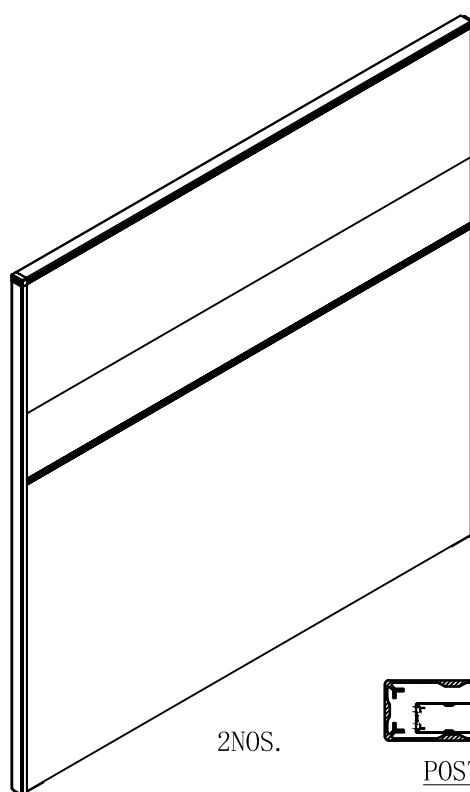
GRUB SCREW M6 X 8 (FOR QTY REREF TABLE)

POST NOM. HIT	QTY
9H	906 06 NOS.
10H	1056 06 NOS.
12H	1206 06 NOS.
15H	1506 08 NOS.
16H	1656 08 NOS.

Component -



1NO.



2NOS.



1NO.

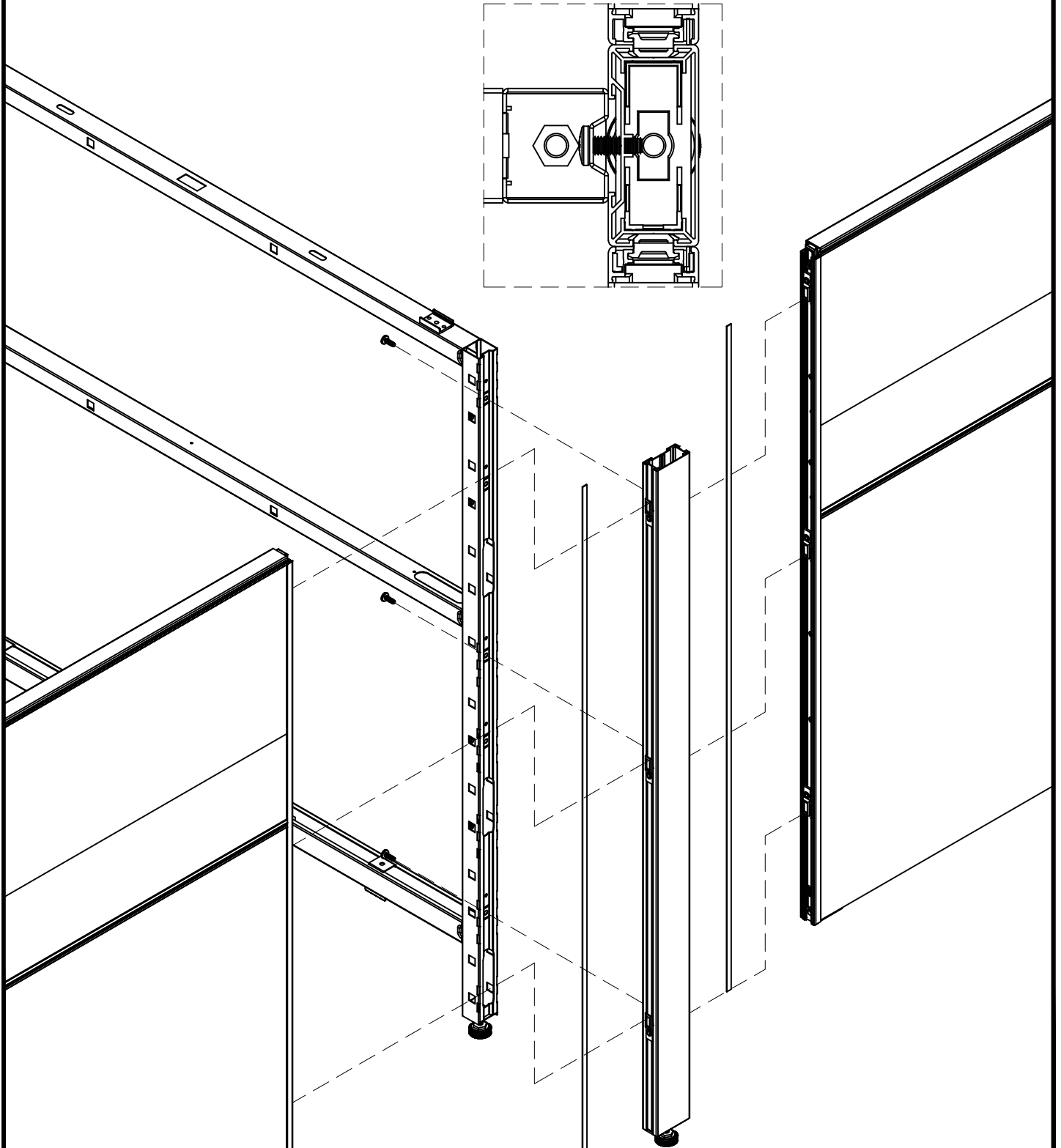



POST SECTION

Sr. No.	2016-01	ASSEMBLY/DISASSEMBLY INSTRUCTION
Issue Date	15.09.16	Description : A30+A66+A30 (3-WAY) T TYPE FRAME CONFIGURATION
Rev. Date	29.11.23	
Rev. No.	1	

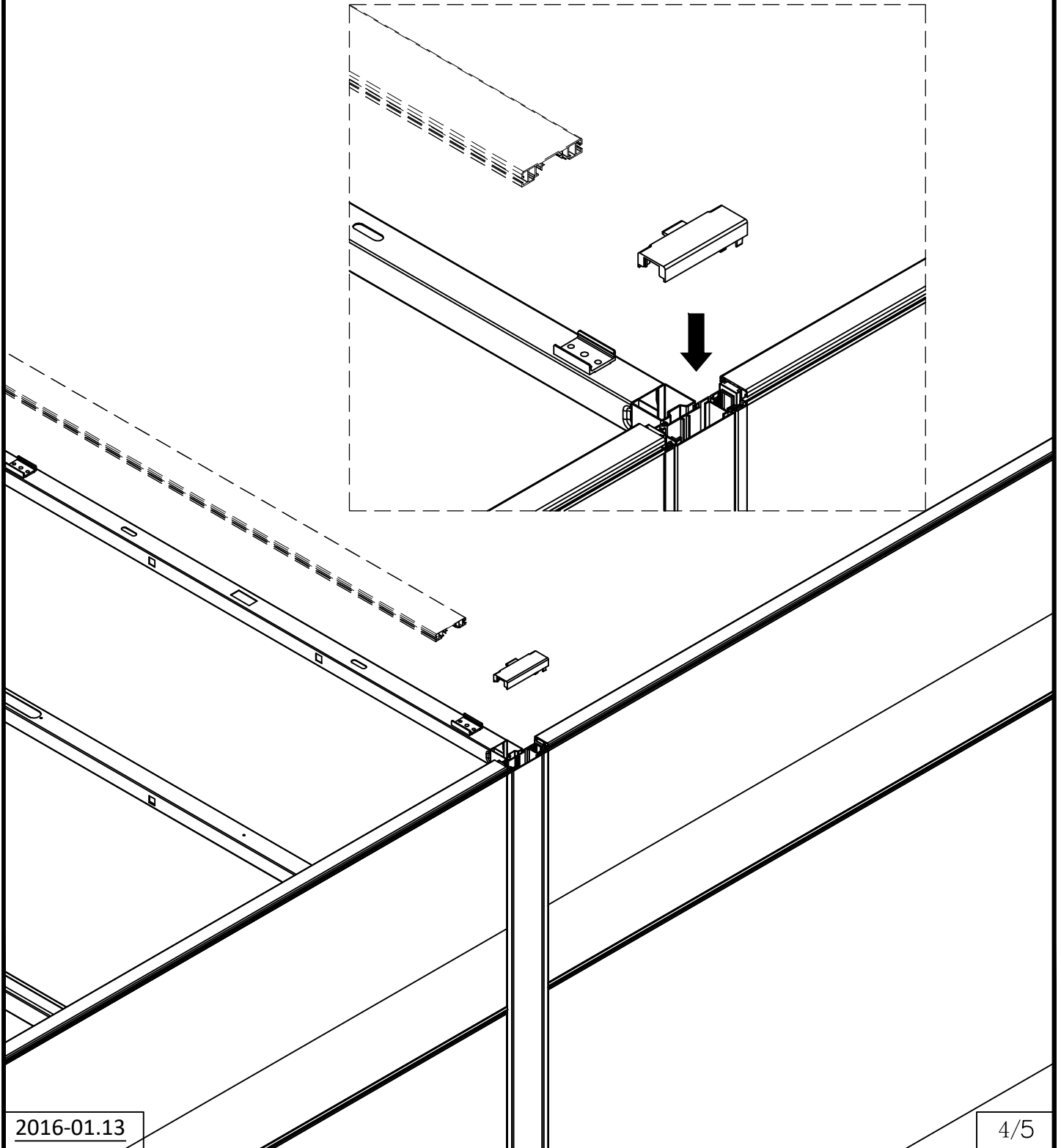


2016-01.13: — A30+A66+A30 (3-WAY) T TYPE FRAME CONFIGURATION :-



Sr. No.	2016-01	ASSEMBLY/DISASSEMBLY INSTRUCTION	
Issue Date	15.09.16	Description : A30+A66+A30 (3-WAY) T TYPE FRAME CONFIGURATION	
Rev. Date	29.11.23		
Rev. No.	1		

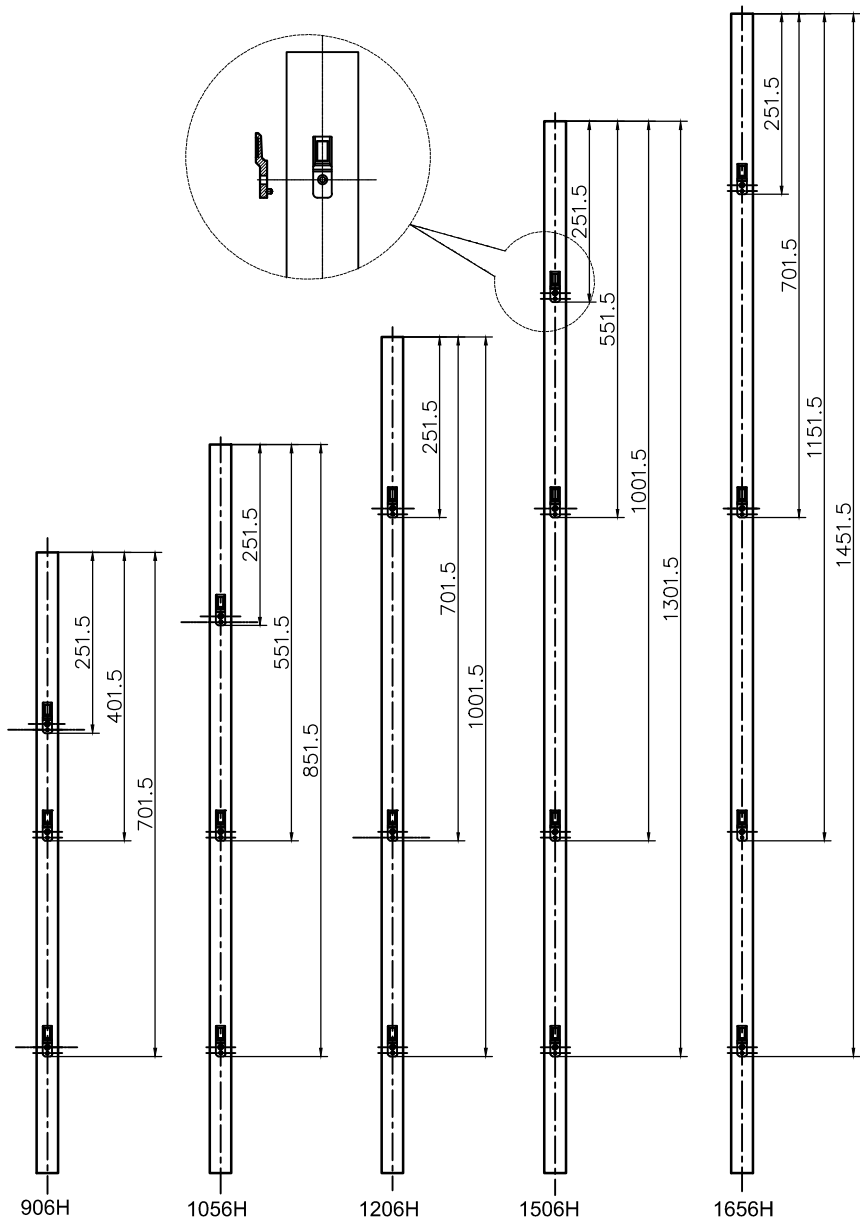
2016-01.13: — A30+A66+A30 (3-WAY) T TYPE FRAME CONFIGURATION :-




Sr. No.	2016-01	ASSEMBLY/DISASSEMBLY INSTRUCTION
Issue Date	15.09.16	Description : A30+A66+A30 (3-WAY) T TYPE FRAME CONFIGURATION
Rev. Date	29.11.23	
Rev. No.	1	



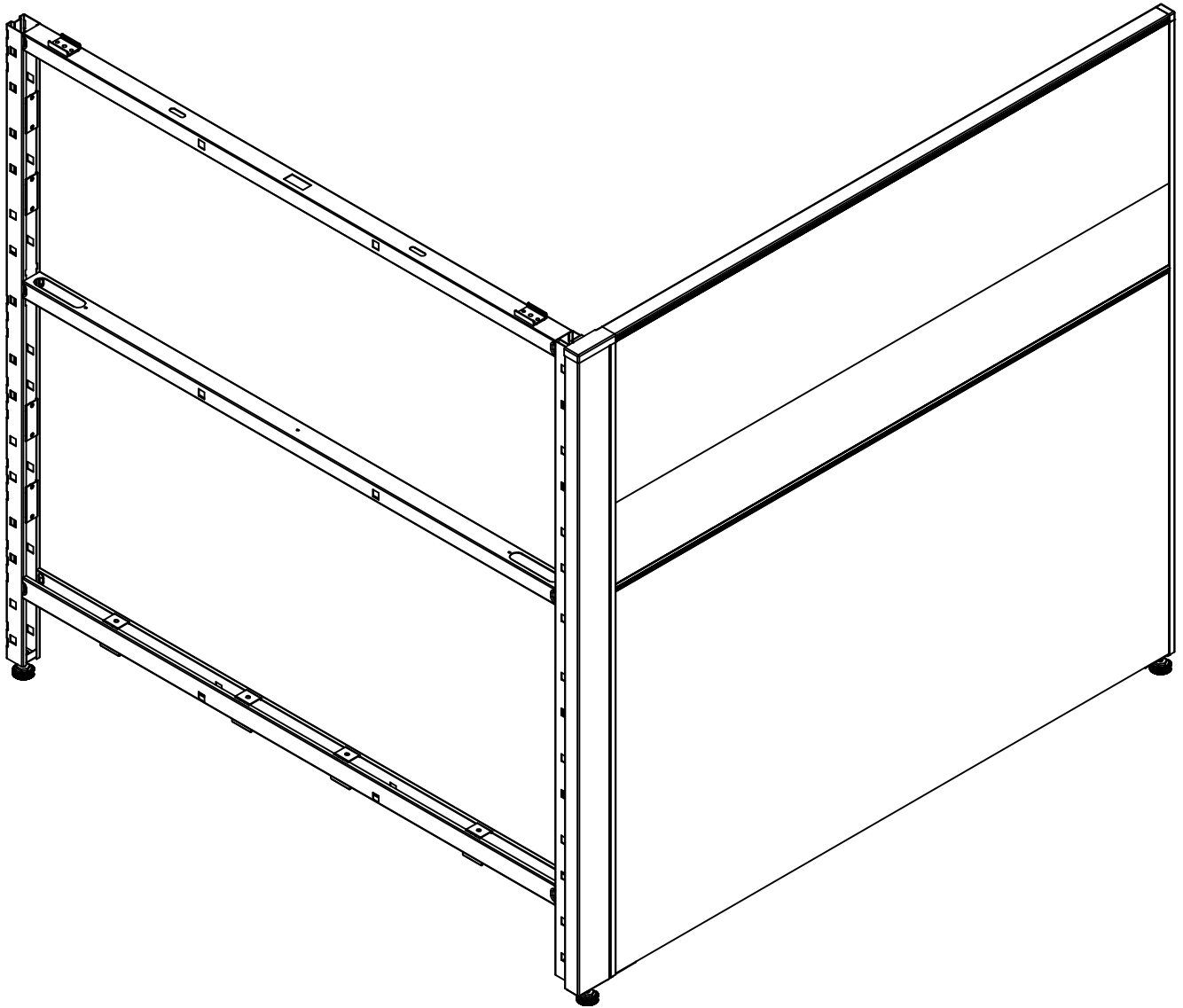
2016-01.13: — A30+A66+A30 (3-WAY) T TYPE FRAME CONFIGURATION :-



Dimension for A3 – PANEL TO POST FIXING DIE CAST CLIP Installation

Sr. No.	2016-01	ASSEMBLY/DISASSEMBLY INSTRUCTION	
Issue Date	15.09.16	Description : A66+A30 (2-WAY) L TYPE - LH FRAME CONFIGURATION	
Rev. Date	29.11.23		
Rev. No.	1		

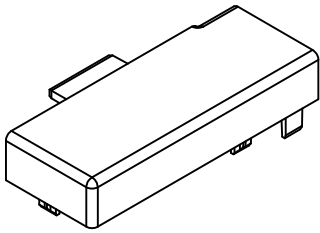
2016-01.14 :- A66+A30 (2-WAY) L TYPE - LH FRAME CONFIGURATION :-



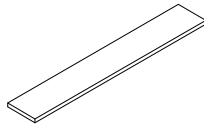
Sr. No.	2016-01	ASSEMBLY/DISASSEMBLY INSTRUCTION
Issue Date	15.09.16	Description : A66+A30 (2-WAY) L TYPE - LH FRAME CONFIGURATION
Rev. Date	29.11.23	
Rev. No.	1	



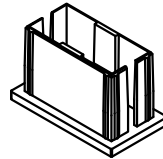
Part list -



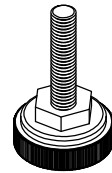
A66+A30+A66 H/S TYP (3 WAY) POST CAP (1 NO.)



A3 - PVC FILLER FOR POST (AS PER BOM)



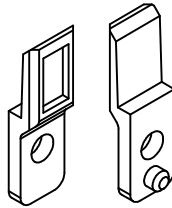
A66- H/S POST LEVELLER HOLDER (QTY - 1NO.)



RECTA M8 LEVELER (QTY - 1NO.)



PHILLIPS PAN HD M/C SCREW M6X8 (FOR QTY REREF TABLE)



A5 - PANEL TO POST FIXING DIE CAST CLIP (FOR QTY REREF TABLE)



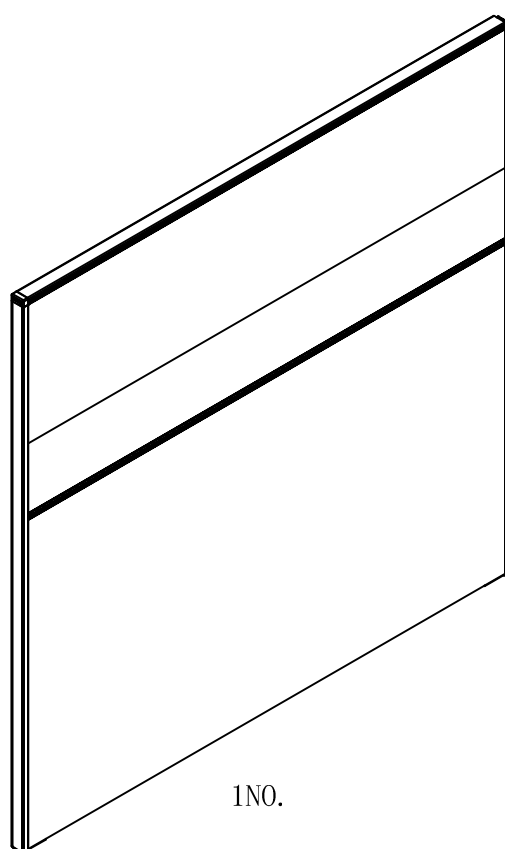
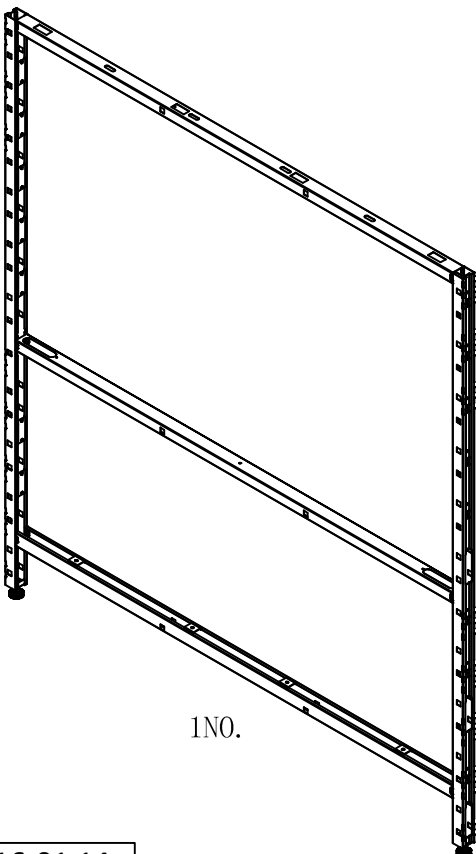
A50+A30 - H/S POST TO PNL FIXING PLATE (FOR QTY REREF TABLE)




GRUB SCREW M6 X 8 (FOR QTY REREF TABLE)

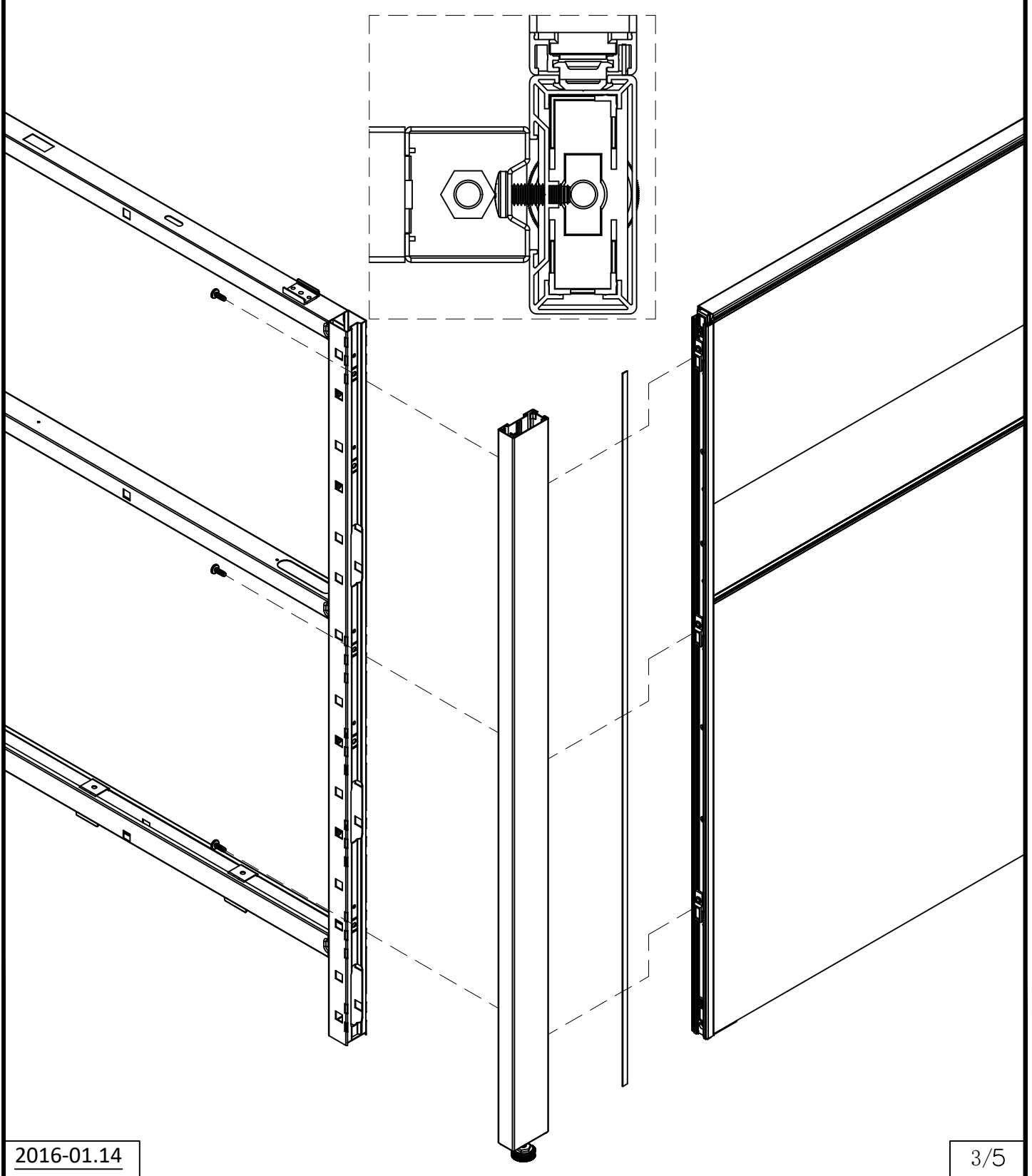
POST NOM. HT	QTY	
9H	906	03 NOS.
10H	1056	03 NOS.
12H	1206	03 NOS.
15H	1506	04 NOS.
16H	1656	04 NOS.


Component -



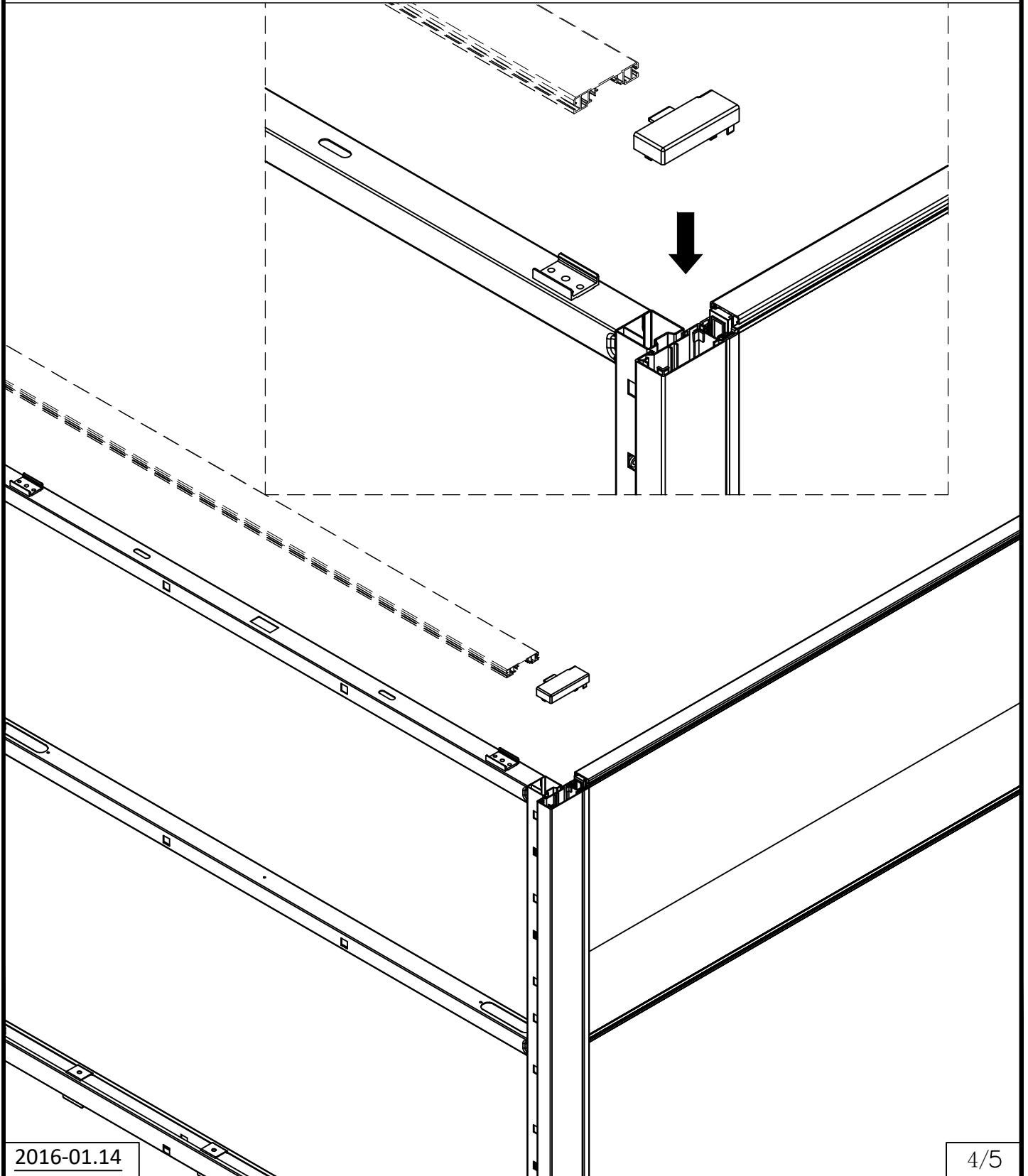
Sr. No.	2016-01	ASSEMBLY/DISASSEMBLY INSTRUCTION	
Issue Date	15.09.16	Description : A66+A30 (2-WAY) L TYPE - LH FRAME CONFIGURATION	
Rev. Date	29.11.23		
Rev. No.	1		

2016-01.14 :- A66+A30 (2-WAY) L TYPE - LH FRAME CONFIGURATION :-



Sr. No.	2016-01	ASSEMBLY/DISASSEMBLY INSTRUCTION	
Issue Date	15.09.16	Description : A66+A30 (2-WAY) L TYPE - LH FRAME CONFIGURATION	
Rev. Date	29.11.23		
Rev. No.	1		

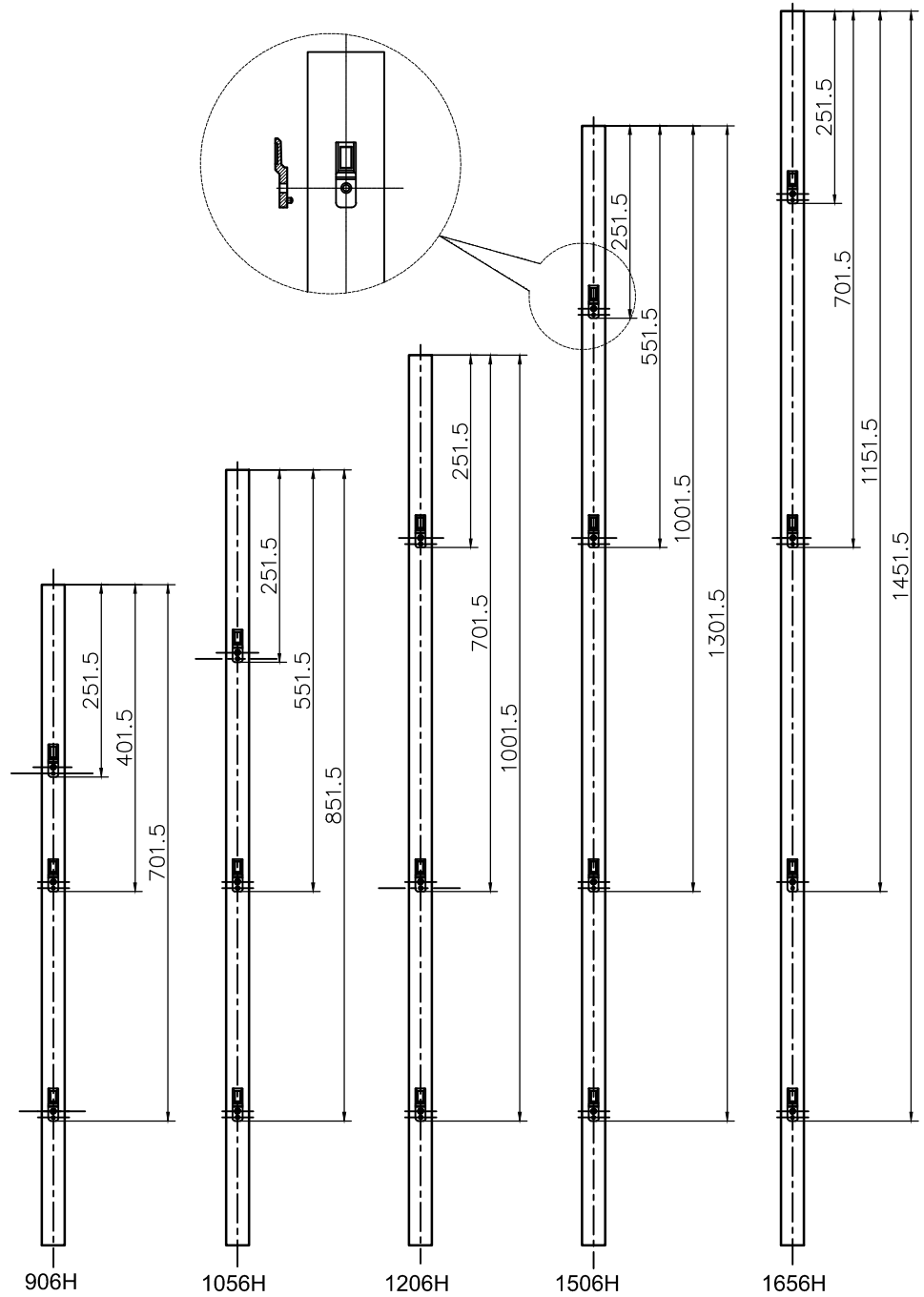
2016-01.14 :- A66+A30 (2-WAY) L TYPE - LH FRAME CONFIGURATION :-



Sr. No.	2016-01	ASSEMBLY/DISASSEMBLY INSTRUCTION
Issue Date	15.09.16	Description : A66+A30 (2-WAY) L TYPE - LH FRAME CONFIGURATION
Rev. Date	29.11.23	
Rev. No.	1	



2016-01.14 :- A66+A30 (2-WAY) L TYPE - LH FRAME CONFIGURATION :-

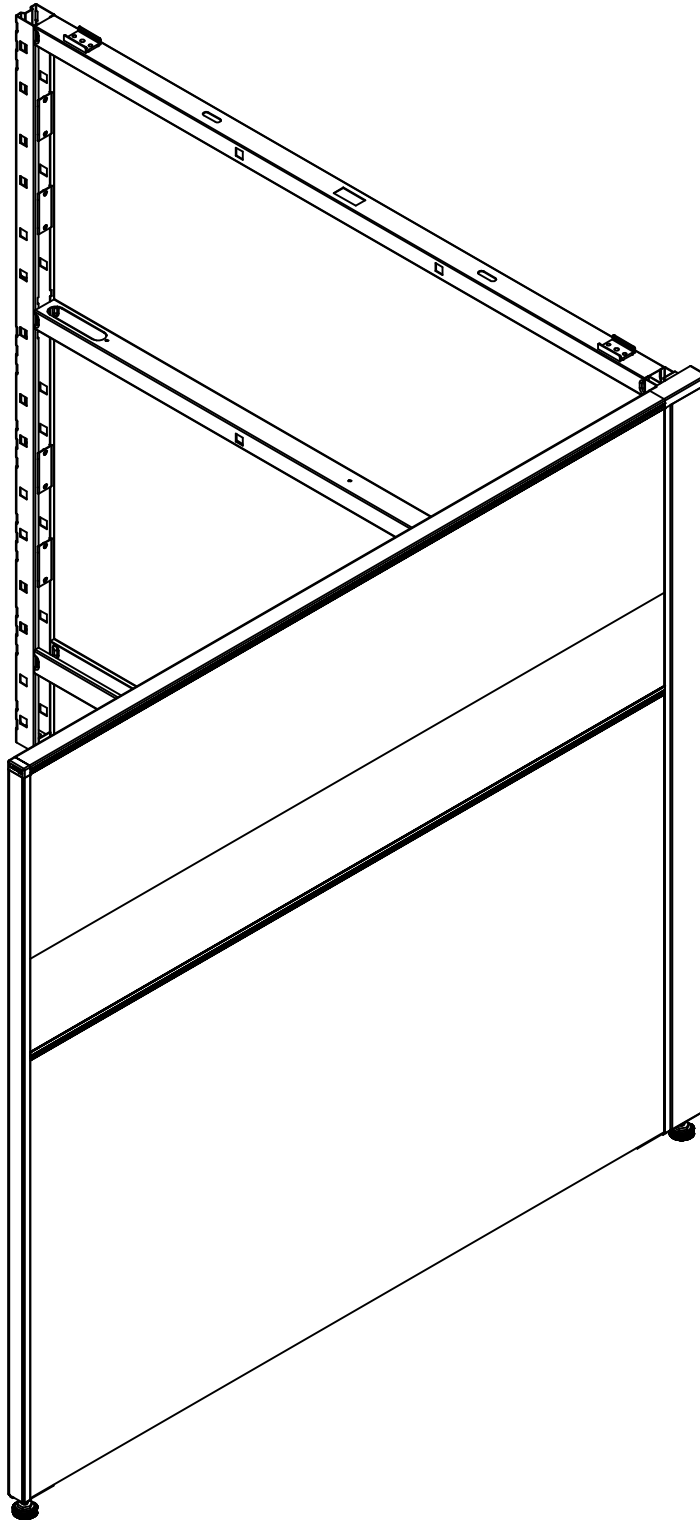


Dimension for A3 – PANEL TO POST FIXING DIE CAST CLIP Installation

Sr. No.	2016-01	ASSEMBLY/DISASSEMBLY INSTRUCTION
Issue Date	15.09.16	Description : A66+A30 (2-WAY) L TYPE - RH FRAME CONFIGURATION
Rev. Date	29.11.23	
Rev. No.	1	



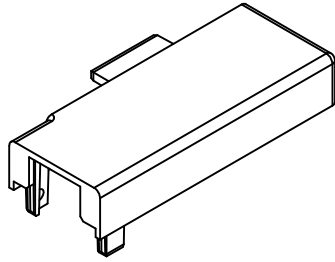
2016-01.15 :- A66+A30 (2-WAY) L TYPE - RH FRAME CONFIGURATION :-



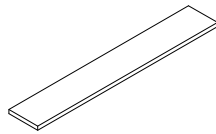
Sr. No.	2016-01	ASSEMBLY/DISASSEMBLY INSTRUCTION
Issue Date	15.09.16	Description : A66+A30 (2-WAY) L TYPE - RH FRAME CONFIGURATION
Rev. Date	29.11.23	
Rev. No.	1	



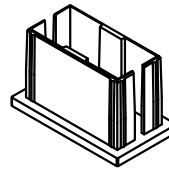
Part list -



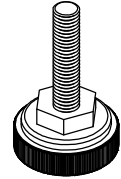
A66+A30+A66 H/S T TYP (3 WAY) POST CAP (1 NO.)



A3 - PVC FILLER FOR POST (AS PER BOM)



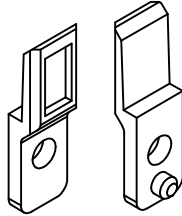
A66- H/S POST LEVELLER HOLDER (QTY - 1NO.)



RECTA M8 LEVELER (QTY - 1NO.)



PHILLIPS PAN HD M/C SCREW M6X8 (FOR QTY REREF)



A5 - PANEL TO POST FIXING DIE CAST CLIP (FOR QTY REREF)



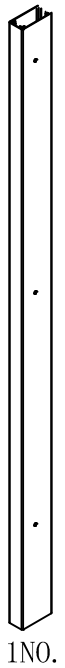
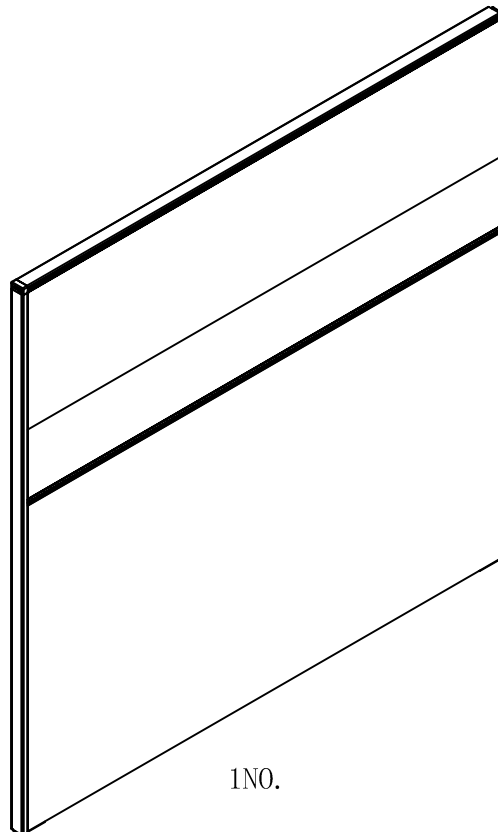
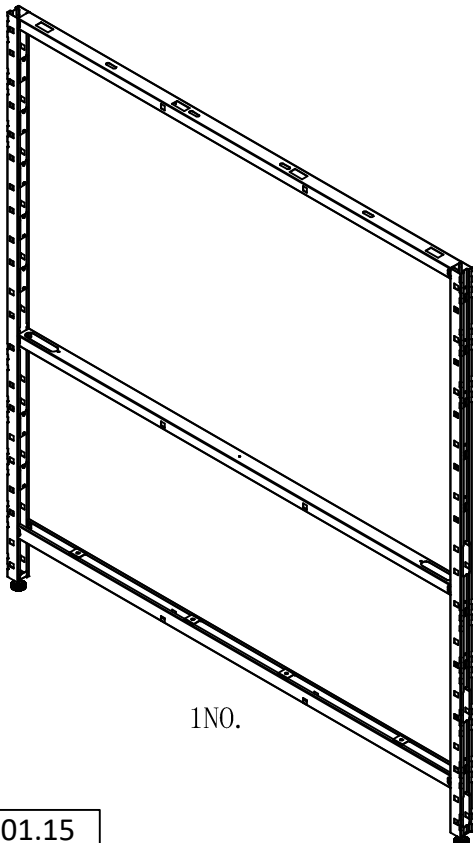
A50+A30 - H/S POST TO PNL FIXING PLATE (FOR QTY REREF TABLE)



GRUB SCREW M6 X 8 (FOR QTY REREF TABLE)

POST NOM. HT		QTY
9H	906	03 NOS.
10H	1056	03 NOS.
12H	1206	03 NOS.
15H	1506	04 NOS.
16H	1656	04 NOS.

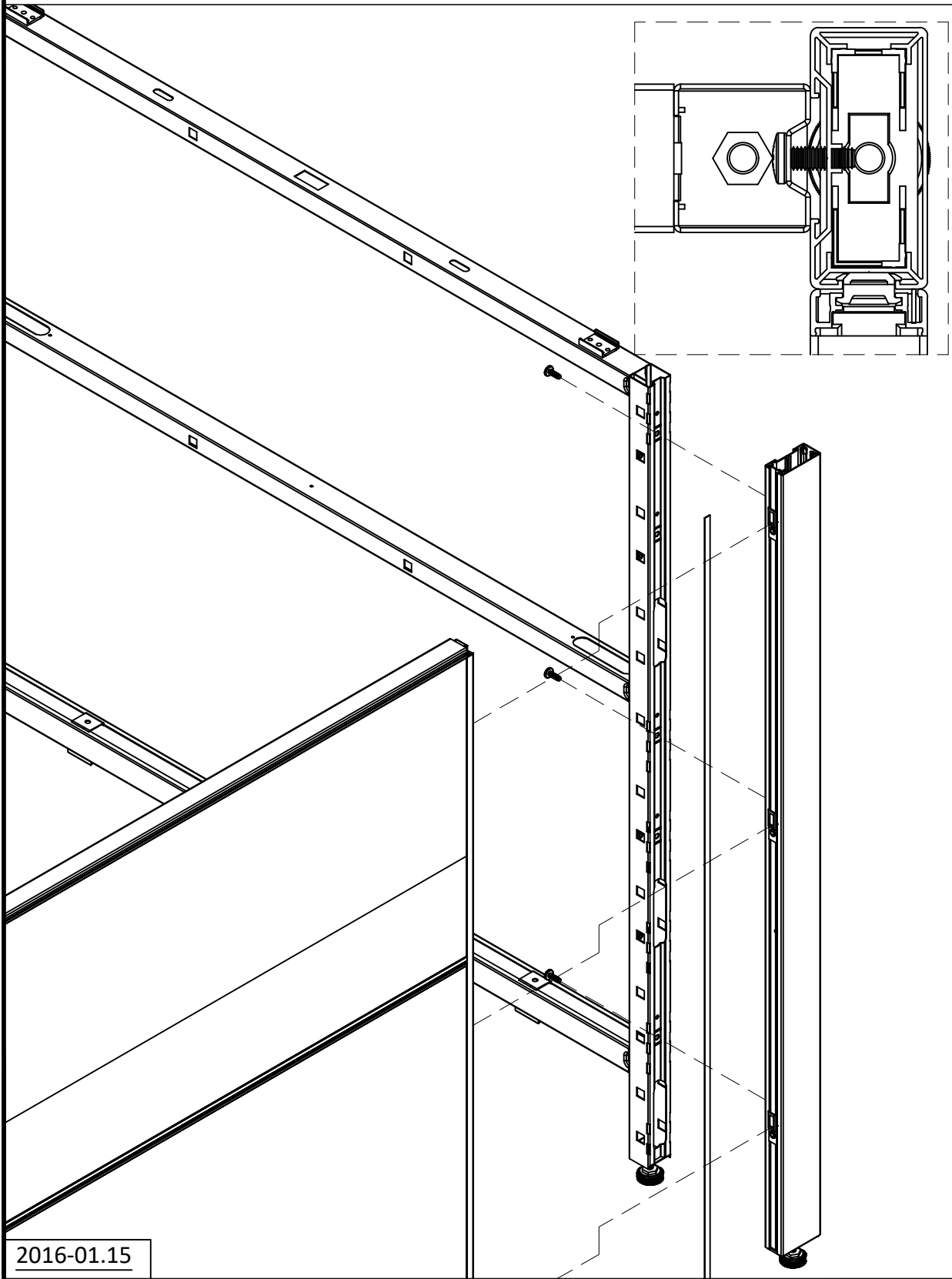
Component -



Sr. No.	2016-01	ASSEMBLY/DISASSEMBLY INSTRUCTION
Issue Date	15.09.16	Description : A66+A30 (2-WAY) L TYPE - RH FRAME CONFIGURATION
Rev. Date	29.11.23	
Rev. No.	1	



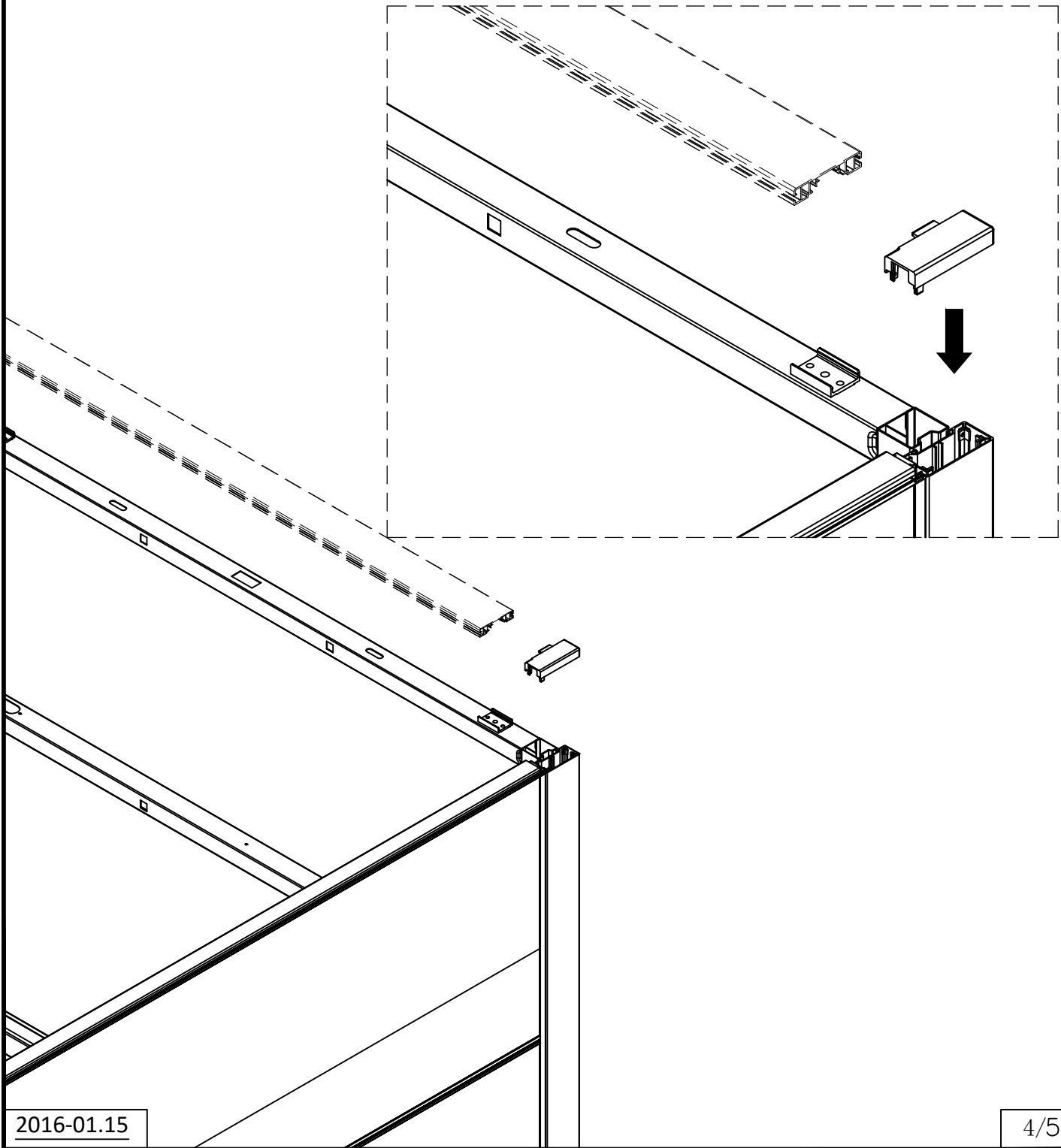
2016-01.15 :- A66+A30 (2-WAY) L TYPE - RH FRAME CONFIGURATION :-



Sr. No.	2016-01	ASSEMBLY/DISASSEMBLY INSTRUCTION
Issue Date	15.09.16	Description : A66+A30 (2-WAY) L TYPE - RH FRAME CONFIGURATION
Rev. Date	29.11.23	
Rev. No.	1	



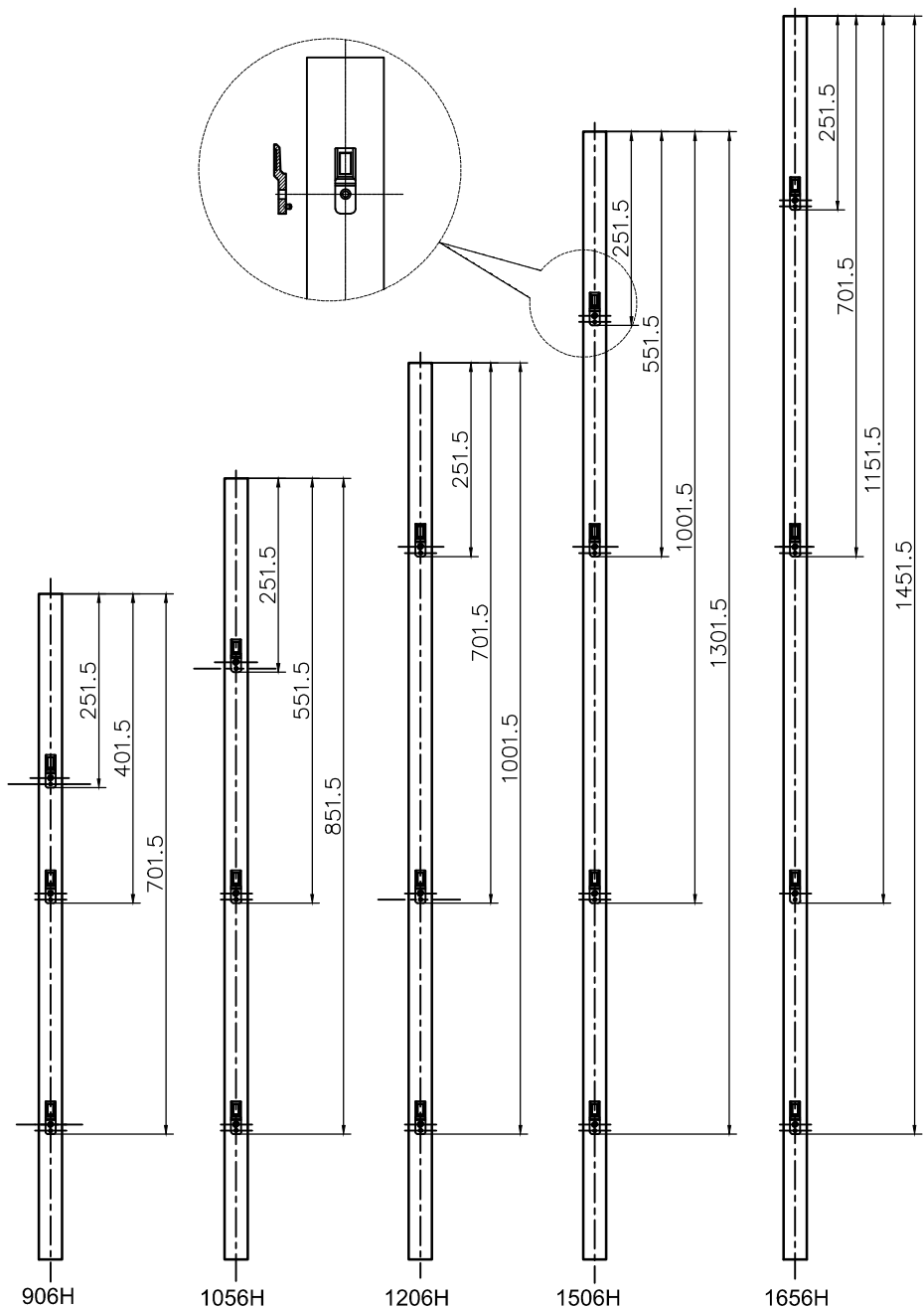
2016-01.15 :- A66+A30 (2-WAY) L TYPE - RH FRAME CONFIGURATION :-




Sr. No.	2016-01	ASSEMBLY/DISASSEMBLY INSTRUCTION
Issue Date	15.09.16	Description : A66+A30 (2-WAY) L TYPE - RH FRAME CONFIGURATION
Rev. Date	29.11.23	
Rev. No.	1	



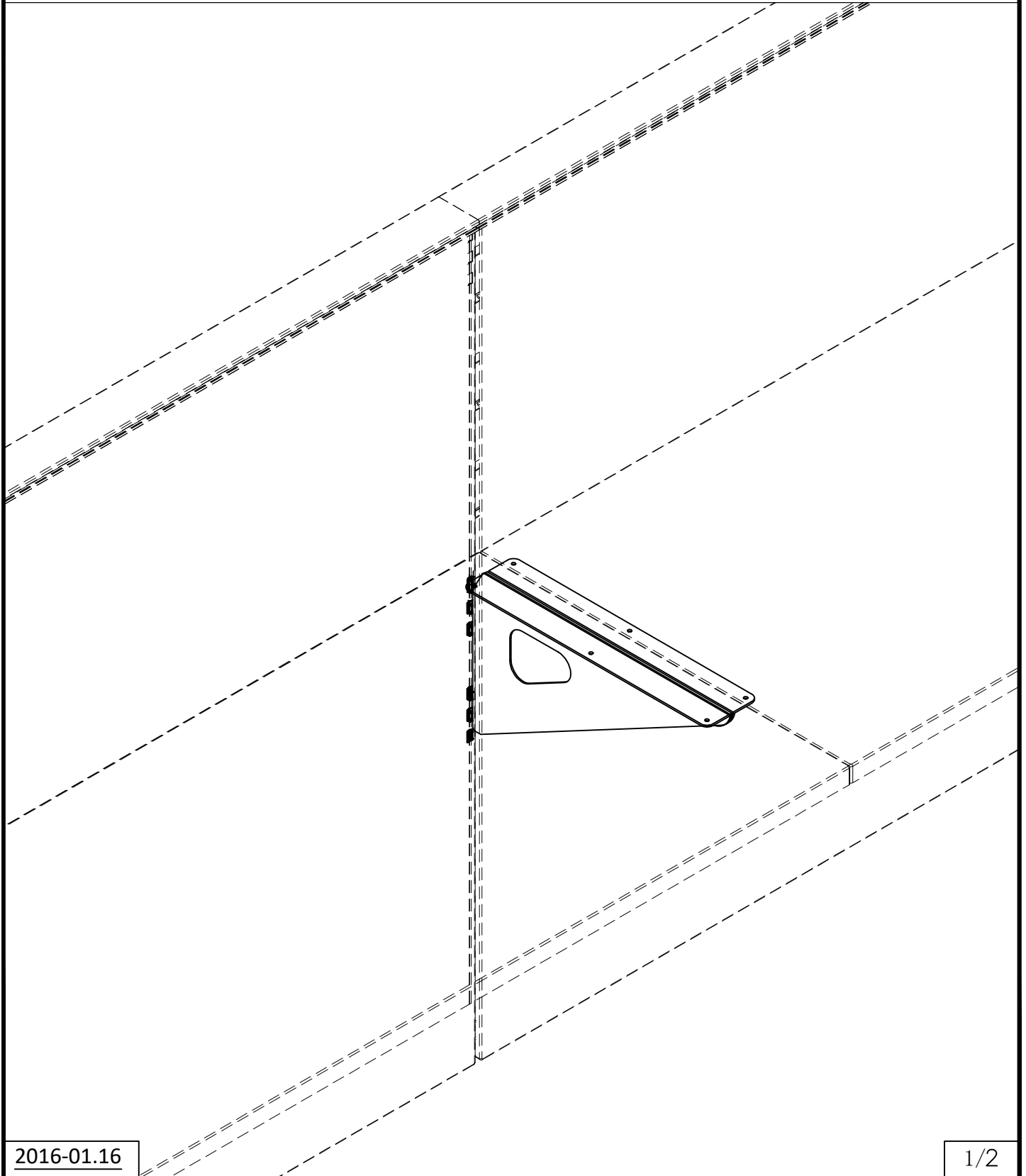
2016-01.15 :- A66+A30 (2-WAY) L TYPE - RH FRAME CONFIGURATION :-




Dimension for A3 – PANEL TO POST FIXING DIE CAST CLIP Installation

Sr. No.	2016-01	ASSEMBLY/DISASSEMBLY INSTRUCTION	
Issue Date	15.09.16	Description : A66 FRAME CANTILEVER BKT AT TABLE JOIN	
Rev. Date	29.11.23		
Rev. No.	1		

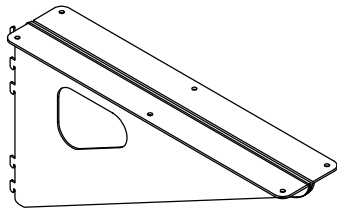
2016-01.16 :- A66 FRAME CANTILEVER BKT AT TABLE JOIN :-



Sr. No.	2016-01	ASSEMBLY/DISASSEMBLY INSTRUCTION	
Issue Date	15.09.16	Description : A66 FRAME CANTILEVER BKT AT TABLE JOIN	
Rev. Date	29.11.23		
Rev. No.	1		

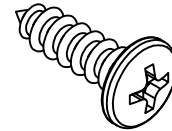
Part list -

①

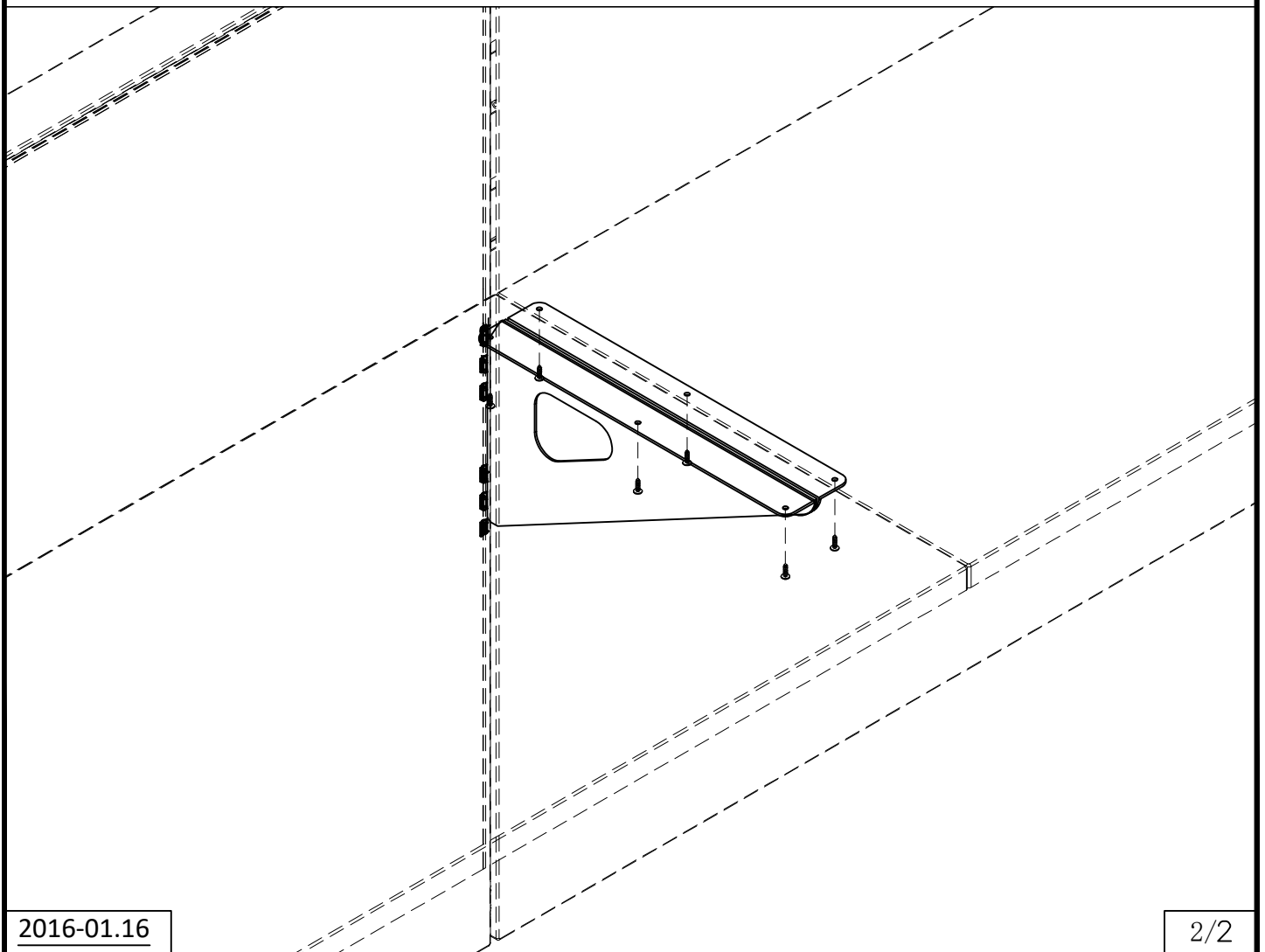



A66 CANTILEVER BKT ASSEMBLY

②

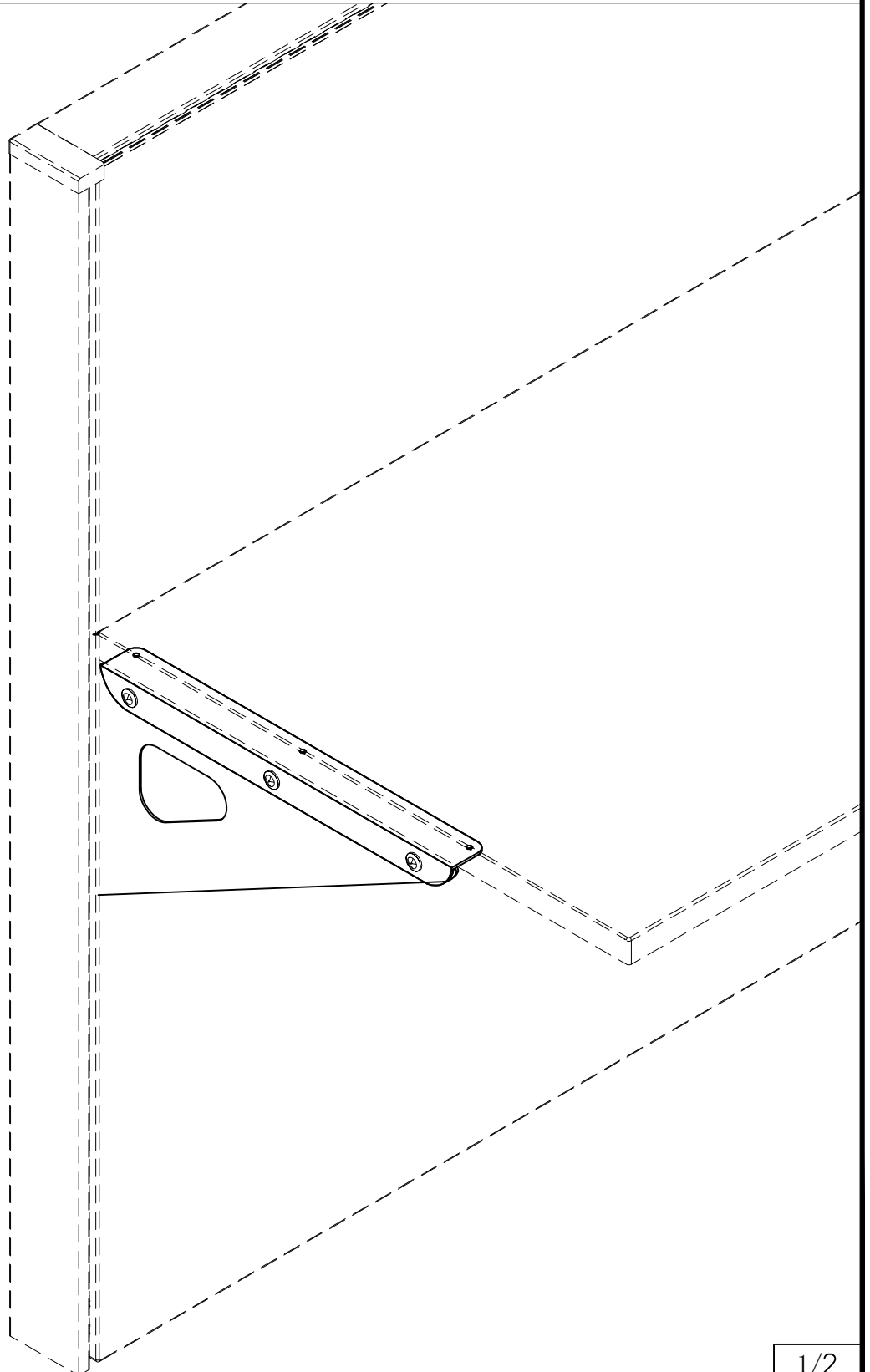



PAN PHILLIPS HEAD CBS 4.5 X 20



Sr. No.	2016-01	ASSEMBLY/DISASSEMBLY INSTRUCTION	
Issue Date	15.09.16	Description : A66 FRAME CANTILEVER BKT AT TABLE END	
Rev. Date	29.11.23		
Rev. No.	1		

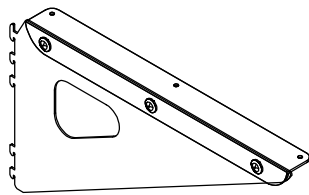
2016-01.17 :- A66 FRAME CANTILEVER BKT AT TABLE END :-



Sr. No.	2016-01	ASSEMBLY/DISASSEMBLY INSTRUCTION	
Issue Date	15.09.16	Description : A66 FRAME CANTILEVER BKT AT TABLE END	
Rev. Date	29.11.23		
Rev. No.	1		

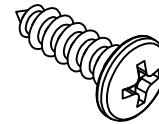
Part list –

①

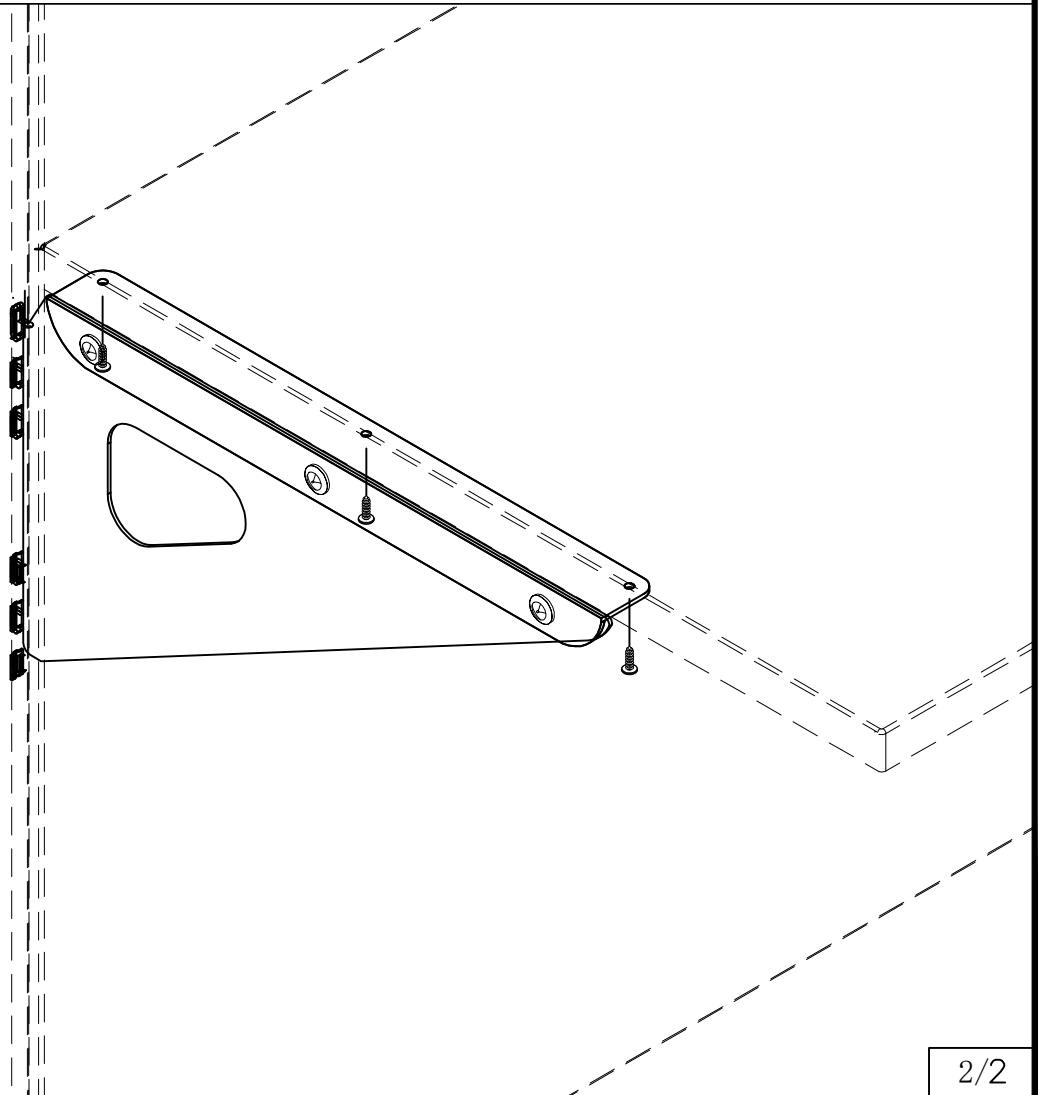



A66 CANTILEVER BKT ASSEMBLY(LH)

②

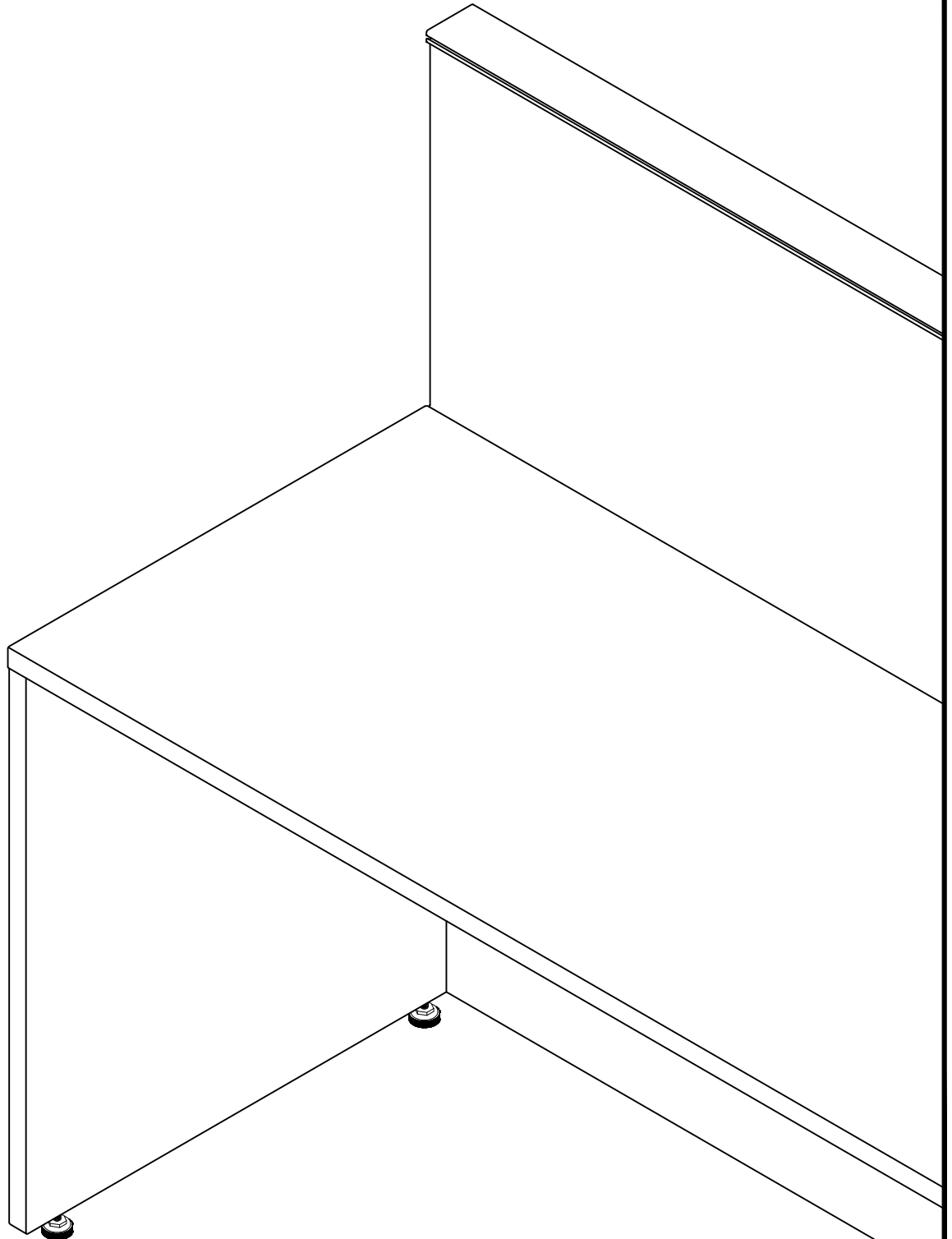



PAN PHILLIPS HEAD CBS 4.5 X 20



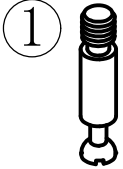
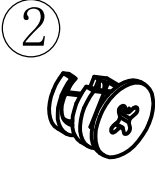
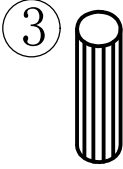
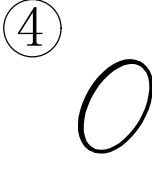
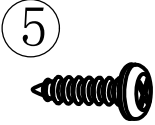
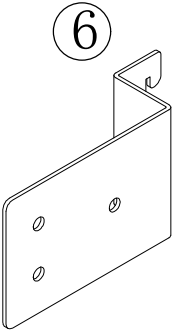
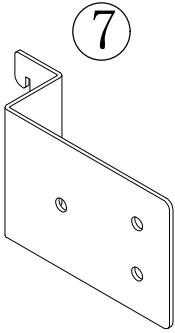
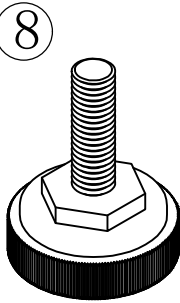
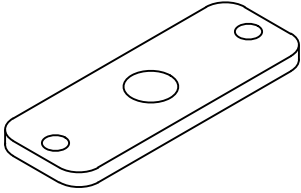
Sr. No.	2016-01	ASSEMBLY/DISASSEMBLY INSTRUCTION	
Issue Date	15.09.16	Description : A66 GABLE END ASSEMBLY (LH/RH)	
Rev. Date	29.11.23		
Rev. No.	1		

2016-01.18 :- A66 GABLE END ASSEMBLY (LH/RH) :-

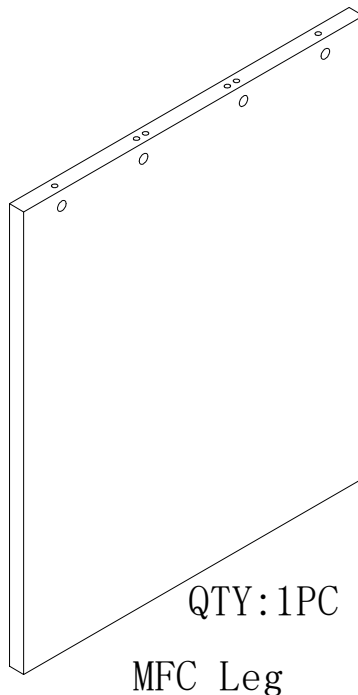


Sr. No.	2016-01	ASSEMBLY/DISASSEMBLY INSTRUCTION	
Issue Date	15.09.16	Description : A66 GABLE END ASSEMBLY (LH/RH)	
Rev. Date	29.11.23		
Rev. No.	1		

Part list -

				
<p>①</p> <p>MINIFIX CONNECTING BOLT SINGLE ENDED (2 NOS.)</p>	<p>②</p> <p>MINIFIX HOUSING (2 NOS.)</p>	<p>③</p> <p>WOODEN DOWEL $\phi 8 \times 35$ (1 NO.)</p>	<p>④</p> <p>CAP FOR MINIFIX HOUSING (2 NOS.)</p>	<p>⑤</p> <p>PHILLIPS PAN HD CBS 4 X 13 (6 NOS.)</p>
				
<p>⑥</p> <p>A66 - GABLE END BKT LH (1 NO.)</p>	<p>⑦</p> <p>A66 - GABLE END BKT RH (1 NO.)</p>	<p>⑧</p> <p>RECTA LEVELLER M8 X 60 (2 NOS.)</p>	<p>⑨</p> <p>A3 - MFC LEG PLATE FOR M8 LEV. (2 NOS.)</p>	

Component -



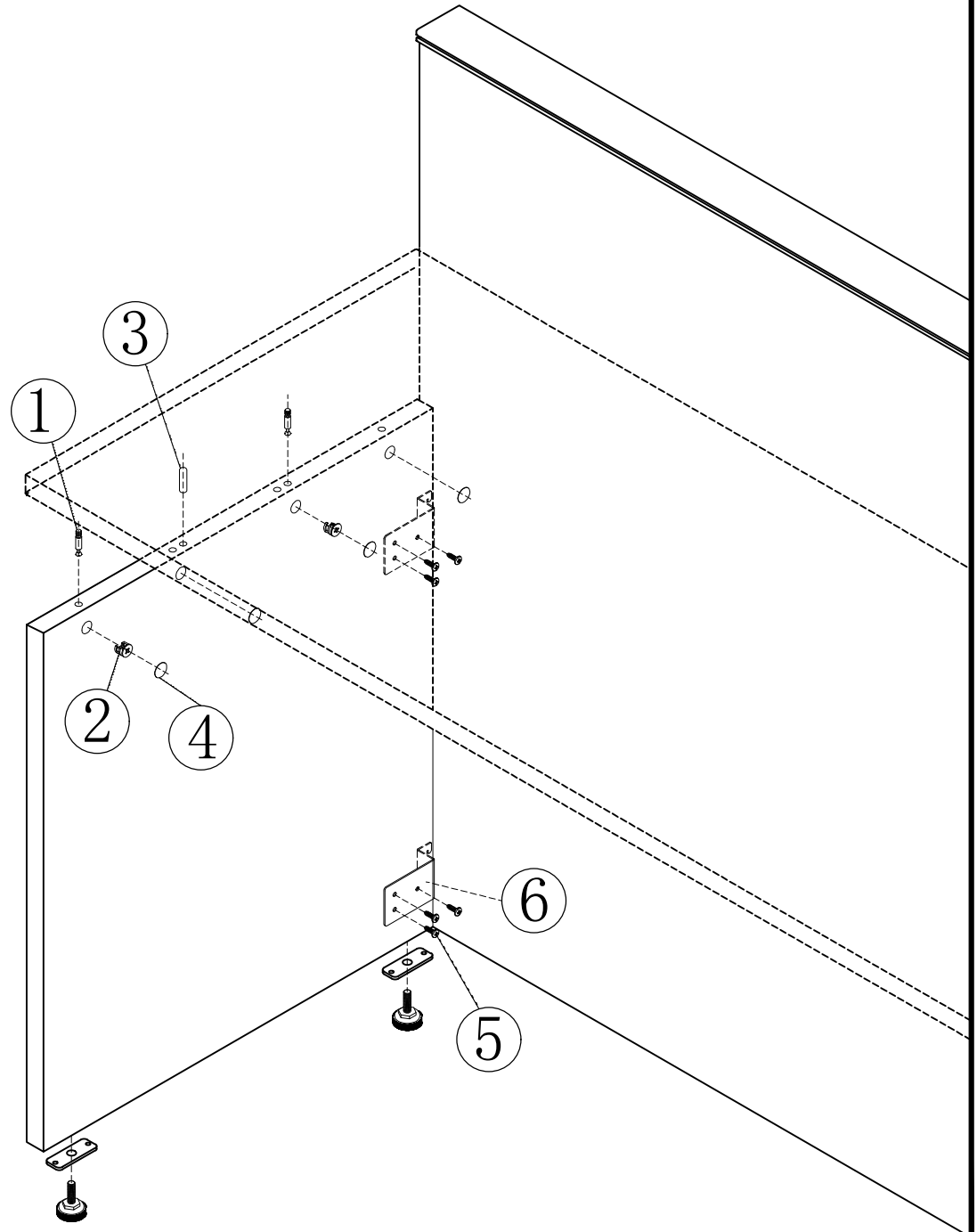
QTY: 1PC


MFC Leg

Sr. No.	2016-01	ASSEMBLY/DISASSEMBLY INSTRUCTION
Issue Date	15.09.16	Description : A66 GABLE END ASSEMBLY (LH/RH)
Rev. Date	29.11.23	
Rev. No.	1	

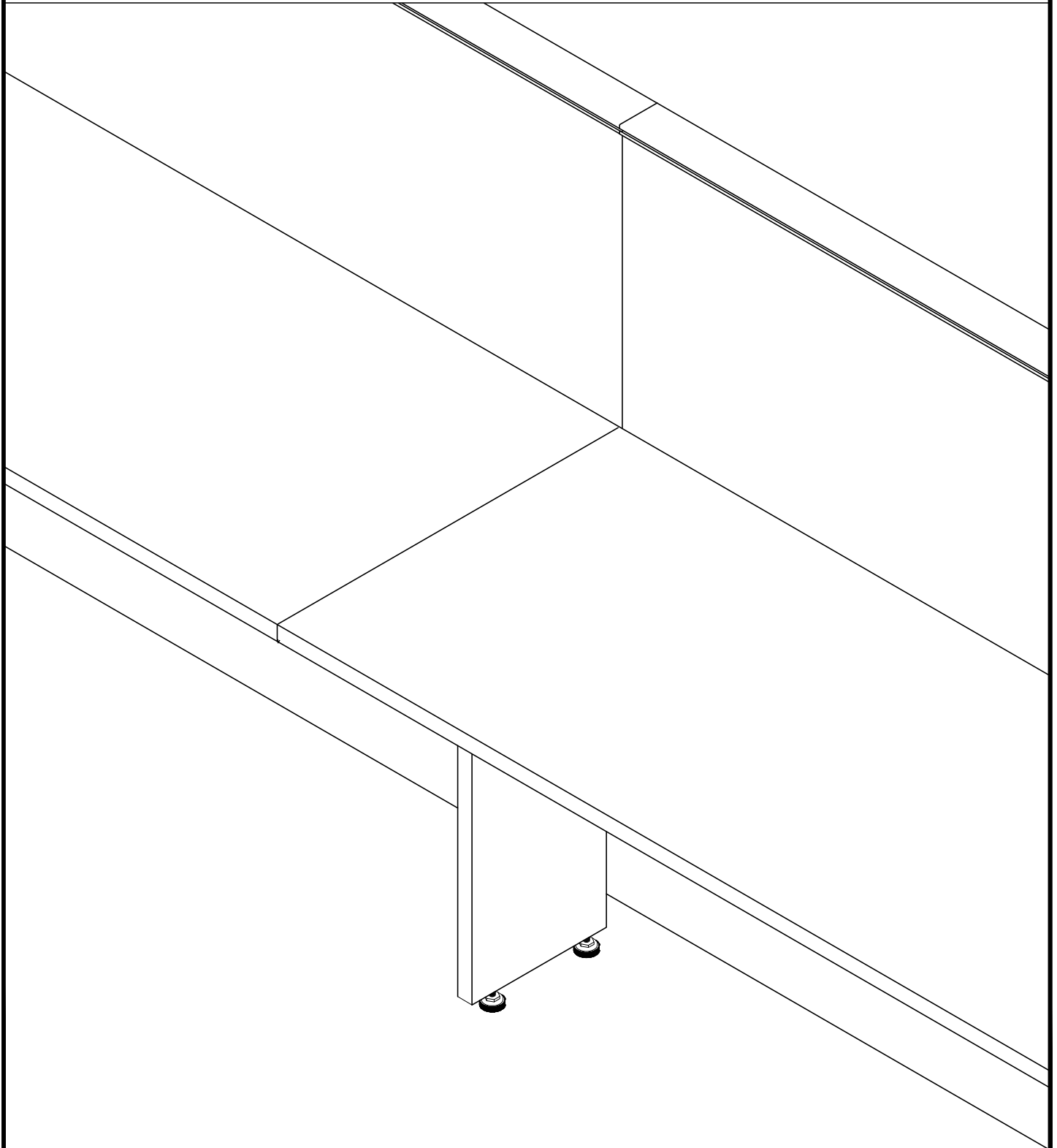



2016-01.18 :- A66 GABLE END ASSEMBLY (LH/RH) :-



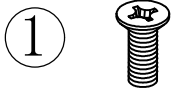
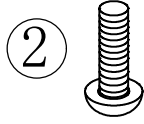

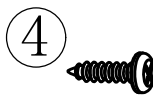
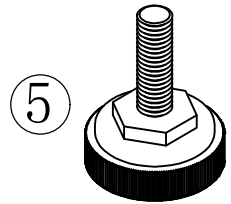
Sr. No.	2016-01	ASSEMBLY/DISASSEMBLY INSTRUCTION	
Issue Date	15.09.16	Description : A66 INTERMEDIATE GABLE END ASSEMBLY	
Rev. Date	29.11.23		
Rev. No.	1		

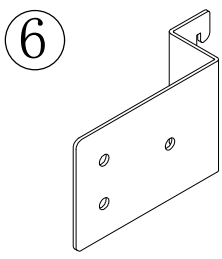
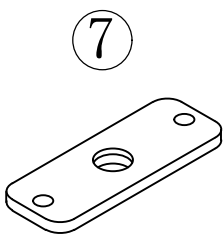
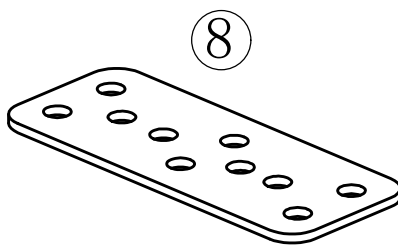
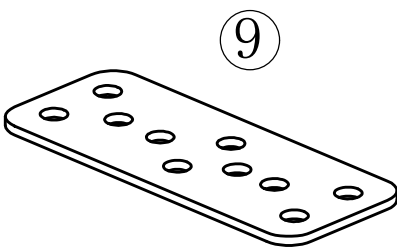
2016-01.19 :- A66 INTERMEDIATE GABLE END ASSEMBLY :-



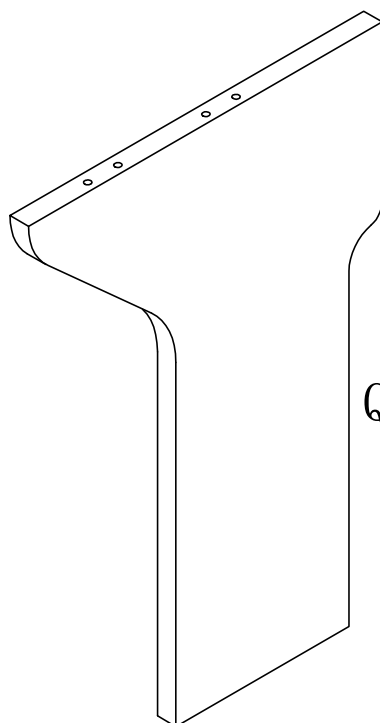
Sr. No.	2016-01	ASSEMBLY/DISASSEMBLY INSTRUCTION	
Issue Date	15.09.16	Description : A66 INTERMEDIATE GABLE END ASSEMBLY	
Rev. Date	29.11.23		
Rev. No.	1		

Part list -

				
PHILIPS CSK HD SCREW M6 X 16 (31641050000 - 2 NOS.)	PHILIPS PAN HD SCREW M6 X 20 (31641038000 - 4 NOS.)	PHILIPS PAN HD CBS SCREW 4.5 X 20 (31641080000 - 8 NOS.)	PHILLIPS PAN HD CBS 4 X 13 (4 NOS.)	RECTA LEVELLER M8 X 60 (2 NOS.)

			
A66 - GABLE END BKT LH (1 NO.)	MFC LEG PLATE FOR M8 LEV. (2 NOS.)	AVAIL LEG CONNECTING SHEARING PLATE (RC800459 - 2 NOS.)	AVAIL TABLETOP SUPPORT PL (RC800578 - 1 NOS.)

Component -

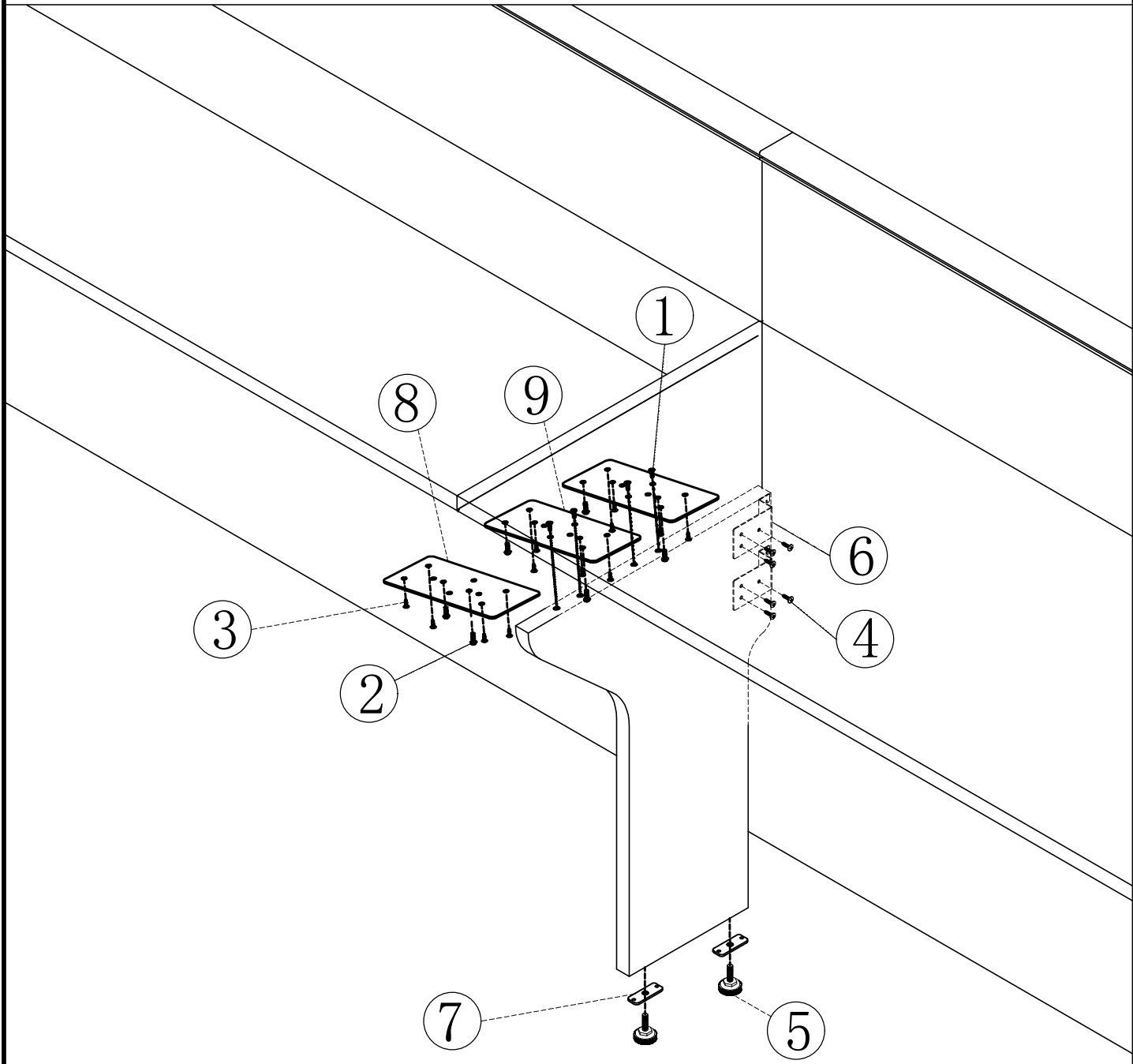


QTY: 1NO.
SHARING/INTERMEDIATE
GABLE END

Sr. No.	2016-01	ASSEMBLY/DISASSEMBLY INSTRUCTION
Issue Date	15.09.16	Description : A66 INTERMEDIATE GABLE END ASSEMBLY
Rev. Date	29.11.23	
Rev. No.	1	



2016-01.19 :- A66 INTERMEDIATE GABLE END ASSEMBLY :-



NOTE: FOR DISASSEMBLY FOLLOW THE INSTRUCTION IN REVERSE CHRONOLOGICAL ORDER
STANDARD TOOL REQUIRED FOR DISASSEMBLY - ALLEN KEY, MEASURING TAPE SCREW DRIVER

CC:Head (Mfg)	Head(Prod)	All Cad
Head(Tech)	Head(DND)	All Projects
Head(Mtrls)	Head(QAD)	
	TI(Plg)	